



<https://choicebyglastender.com>



C-PCB-24



Intertek
4004503

Conforms to ANSI/NSF STD 2

Project: _____	AIA# _____
Item #: _____ Qty: _____	SIS# _____
Model #: _____	

POS Cabinets

C-PCB	C-PCB-18, C-PCB-18-LD, C-PCB-24, C-PCB-24-LD
--------------	---

Standard Features

- All stainless steel
- One-piece seamless top and backsplash
- Louvered door for air flow
- Door lock
- 26" high work surface to accommodate cash drawer and POS monitor
- Grommeted cord access hole in work surface
- Large access hole in back wall
- Adjustable stainless steel bullet feet

Specifications

Legs

- 1-5/8" diameter, 16 gauge stainless steel
- Stainless steel bullet feet

Materials

- 20 gauge stainless steel

Underbar installation instructions: <https://www.glastender.com/support/documents/manuals/underbar-installation-instructions>

Cleaning & care instructions: <https://www.glastender.com/support/documents/manuals/general-cleaning-and-care-instructions-for-stainless-steel>

Configurable Options

- Without door: add -LD suffix to model number
- Side splashes: specify option C-LSP (left) and/or C-RSP (right)

Side Splash Accessories

***NOTE: Verify cash drawer width before ordering side splash accessories.**



With C-LSP option



With C-RSP option



With C-LSP and C-RSP options

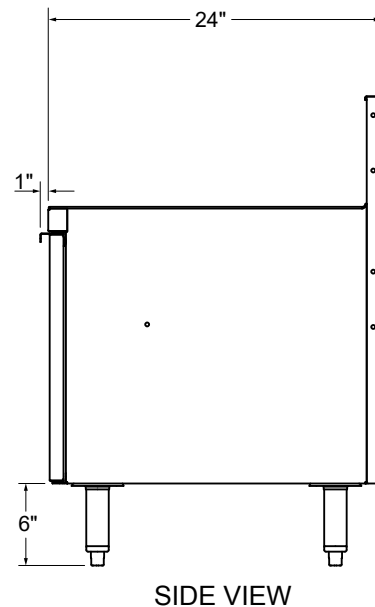
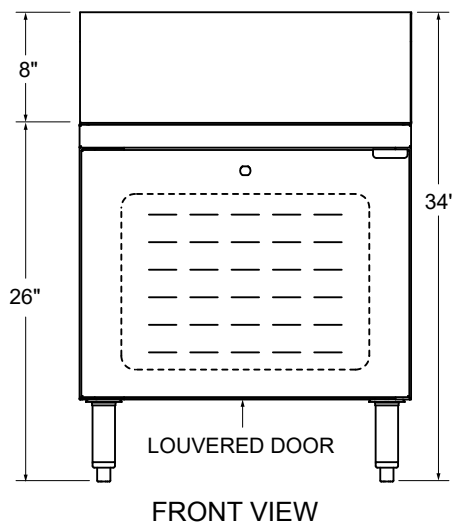
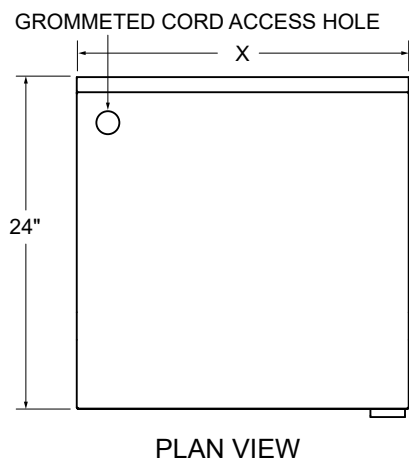
<p>Glastender, Inc. • 5400 North Michigan Road • Saginaw, MI • 48604-9780 989.752.4275 • 800.748.0423 • Fax 989.752.4444 https://glastender.com</p>	<p>Approval/Notes:</p>
<p>Specifications subject to change without notice. For current specifications please visit our website.</p>	

Choice POS Cabinets

Dimensional Information

Model Number	X - OD
C-PCB-18	18"
C-PCB-18-LD	18"
C-PCB-24	24"
C-PCB-24-LD	24"

C-PCB LESS SIDE SPLASH ACCESSORIES



Model Number	X - OD	Y - ID w/ LSP-3 and RSP-3 accessories*
C-PCB-18	18"	17-7/8"
C-PCB-18-LD	18"	17-7/8"
C-PCB-24	24"	23-7/8"
C-PCB-24-LD	24"	23-7/8"

C-PCB WITH SIDE SPLASH ACCESSORIES*

***NOTE: Verify cash drawer width before ordering side splash accessories.**

