



Your Solutions Partner

# Specifications

F.O.B. Sedalia, Missouri 65301



TS530-xx

### OPTIONS:

- LED lights
- Radiant heat rod w/incandescent light - 120V
- Radiant heat rod w/switch
- Special lengths or heights
- Special finish colors

### Agency Listings:



DUKE MANUFACTURING CO.

2305 N. Broadway

St. Louis, MO 63102

800.735.3853 Toll Free

314.231.5074 Fax

www.dukemfg.com

SS-1184 Food Guard - Designer Series Buffet Style

### Approval Stamp(s):

### PRODUCT INFORMATION:

PROJECT: \_\_\_\_\_

ITEM: \_\_\_\_\_

QUANTITY: \_\_\_\_\_

### MODEL: Foodshields - Designer Series - Buffet Style

Fits: Thurmaduke Steamtable, Aeroserv, Thurmaduke Serving Systems

- TS530-32 /** Buffet Style - 2-Sided /
- TS530-32-1SN** Buffet Style - 1-Sided
- TS530-46 /** Buffet Style - 2-Sided /
- TS530-46-1SN** Buffet Style - 1-Sided
- TS530-60 /** Buffet Style - 2-Sided /
- TS530-60-1SN** Buffet Style - 1-Sided
- TS530-74 /** Buffet Style - 2-Sided /
- TS530-74-1SN** Buffet Style - 1-Sided
- TS530-88 /** Buffet Style - 2-Sided /
- TS530-88-1SN** Buffet Style - 1-Sided

### TOP SHELF:

- All edges flanged down
- 18 gauge stainless steel or paint grip steel
- Choice of (12) powder coat paint colors (must choose one):

### ENDS:

- 18 gauge stainless steel or choice of 12 powder coat colors

### GUARDS:

- Flip-up 1/4" clear acrylic foodshield
- Self service style
- Clear acrylic enclosures both ends

### SIZES:

- All units available in following lengths  
31-3/4", 45-3/4", 59-3/4", 73-3/4", 87-3/4"

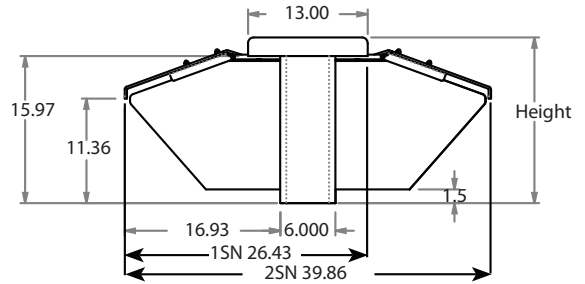
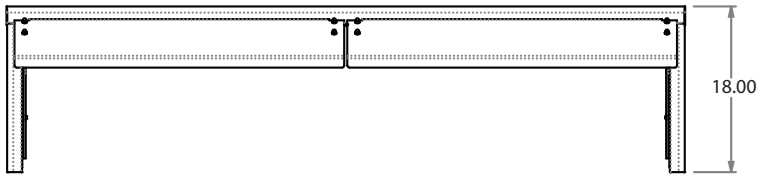
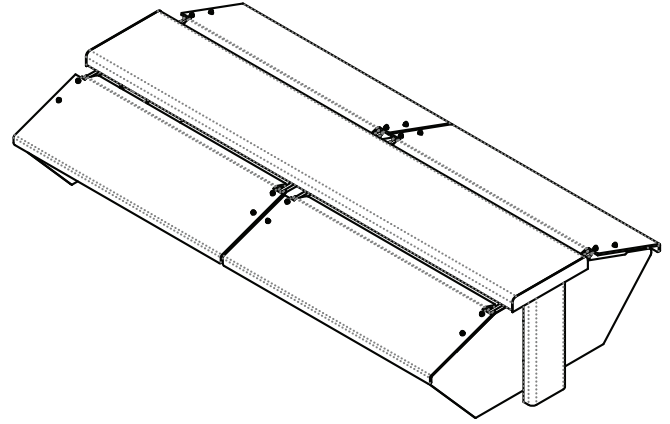
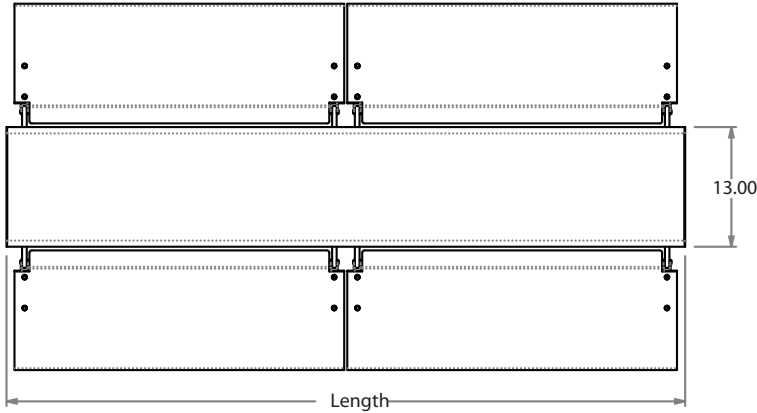
Specification subject to change



# FOODSHIELD - DESIGNER SERIES BUFFET STYLE

A.I.A. File No. 35-C-13

Catalog No. FS-DESIGNER



## DIMENSIONS:

**Freight Class: 125**

Buffet Style - 2-sided /for Single (1SN), w/flip-up acrylic, stainless steel or painted top, painted or stainless end panels 18"height

Model	Length		Height		Width		Weight		Cube ft. Crated	Model	Length		Height		Width		Weight		Cube Ft. Crated
	in	cm	in	cm	in	cm	lbs	kg			in	cm	in	cm	in	cm	lbs	kg	
TS530-32	32	81.3	18	45.7	39.856	101.2	50	22.7	19.3	TS530-32-1SN	32	81.3	18	45.7	26.428	67.1	35	15.9	14.6
TS530-46	46	116.8	18	45.7	39.856	101.2	58	26.4	26.3	TS530-46-1SN	46	116.8	18	45.7	26.428	67.1	42	19.1	19.9
TS530-60	60	152.4	18	45.7	39.856	101.2	78	35.5	33.4	TS530-60-1SN	60	152.4	18	45.7	26.428	67.1	60	27.3	25.3
TS530-74	74	188.0	18	45.7	39.856	101.2	108	49.1	40.5	TS530-74-1SN	74	188.0	18	45.7	26.428	67.1	88	40.0	30.7
TS530-88	88	223.5	18	45.7	39.856	101.2	128	58.2	47.6	TS530-88-1SN	88	223.5	18	45.7	26.428	67.1	118	53.6	36.0

FOODSHIELDS - DESIGNER SERIES



**Duke Manufacturing Co.**

2305 N. Broadway  
St. Louis, MO 63102

Phone: 314-231-1130  
Toll Free: 1-800-735-3853  
Fax: 314-231-5074

[www.dukemfg.com](http://www.dukemfg.com)

Printed in U.S.A  
© 2025, Duke Manufacturing Co.