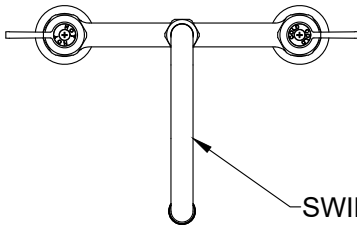
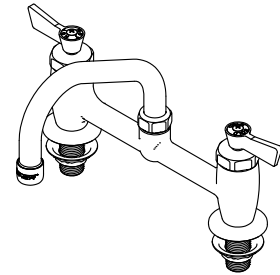


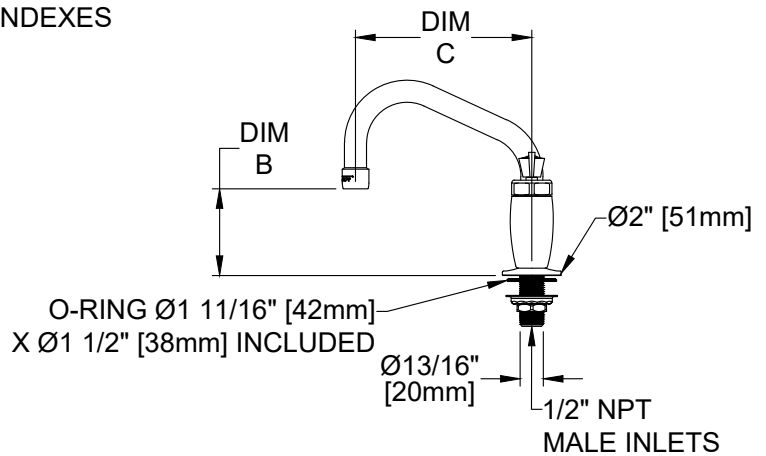
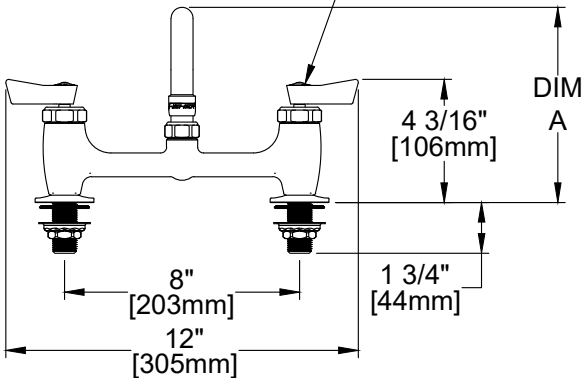
Customer/Wholesaler:	Date:	Job Name:	Model Specified:	Quantity:
Contractor:		Architect/Engineer:		



SWING SPOUT  
W/ FULL FLOW STREAM  
STRAIGHTENER  
55/64-27F



QUARTER TURN  
CERAMIC DISK CARTRIDGES  
W/ CHECK STEMS  
& COLOR CODED INDEXES



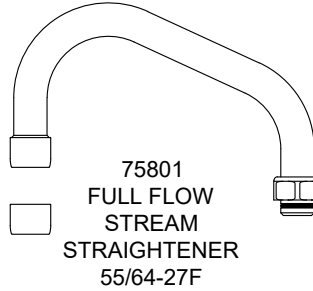
MODEL	DESCRIPTION	DIM A	DIM B	DIM C
33100	FAUCET 8DCDLH 06SS	6 5/8" [169mm]	2 15/16" [75mm]	6" [152mm]
33110	FAUCET 8DCDLH 08SS	7 9/16" [192mm]	3 7/8" [99mm]	8" [203mm]
33120	FAUCET 8DCDLH 10SS	7 5/8" [193mm]	3 15/16" [99mm]	10" [254mm]
33130	FAUCET 8DCDLH 12SS	8 1/4" [209mm]	4 9/16" [116mm]	12" [305mm]
33140	FAUCET 8DCDLH 14SS	8 7/8" [226mm]	5 3/16" [132mm]	14" [356mm]

PRODUCT SPECIFICATIONS: 8" DECK FAUCET, QUARTER TURN CERAMIC DISK CARTRIDGES W/ CHECK STEMS, LEVER HANDLES, SWING SPOUT W/ FULL FLOW STREAM STRAIGHTENER 12.5 GPM @ 60 PSI, 1/2" NPT MALE INLETS

PRODUCT COMPLIANCE:  
ASME A112.18.1 / CSA B125.1  
NSF 61 - Section 9  
NSF 372 (Low Lead Content)

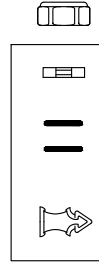
Customer/Wholesaler:	Date:	Job Name:	Model Specified:	Quantity:
Contractor:		Architect/Engineer:		

## REPLACEMENT PARTS



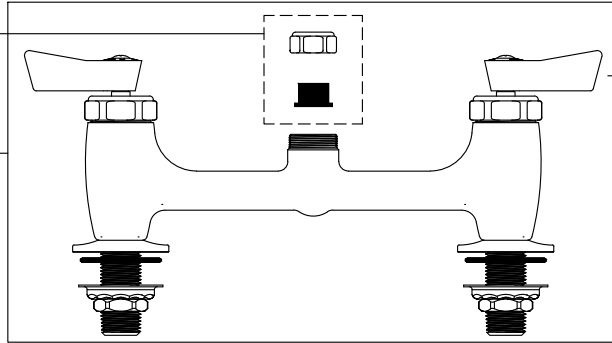
75801  
FULL FLOW  
STREAM  
STRAIGHTENER  
55/64-27F

- 75964  
KIT PR CD  
(SPOUT NUT)
- 20020  
SNAP RING
- 1600-5000  
SPOUT O-RING  
(2 REQD)
- 73521  
O-RING LUBE

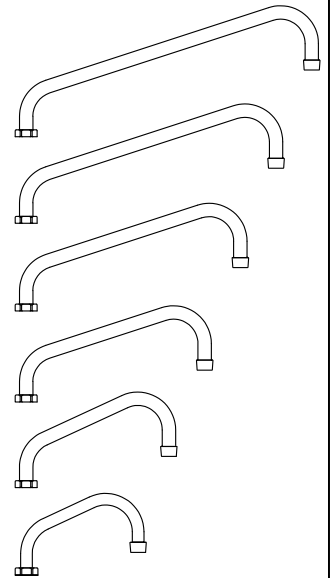


19119  
O-RING  
SPOUT  
KIT

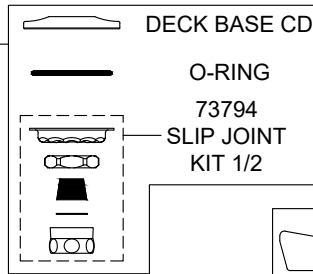
- 75964  
KIT PR CD  
(SPOUT NUT)
- 33000  
CONTROL VALVE 8DLH  
SVL RIG CD



- 3967 SPOUT 16SS  
FULL FLOW
- 3964 SPOUT 14SS  
FULL FLOW
- 3963 SPOUT 12SS  
FULL FLOW
- 3962 SPOUT 10SS  
FULL FLOW
- 3961 SPOUT 08SS  
FULL FLOW
- 3960 SPOUT 06SS  
FULL FLOW



- 75961  
KIT 8 INCH DECK  
INSTALL CD  
INCLUDES:  
DECK BASE  
O-RING  
SLIP JOINT KIT



- 2000-7500  
SCREW
- 2000-8000  
RED BUTTON
- 2000-8001  
BLUE BUTTON

LEVER  
HANDLE



75957  
BIBB CAP CD



75958  
STEM 1/2 CERAMIC  
DISK LH



75959  
STEM 1/2 CERAMIC  
DISK RH



73521  
O-RING LUBE

- 2000-0002  
LEVER HANDLE  
KIT  
INCLUDES:  
SCREW  
RED BUTTON  
BLUE BUTTON  
LEVER HANDLE

PRODUCT SPECIFICATIONS: 8" DECK FAUCET, QUARTER TURN CERAMIC DISK CARTRIDGES W/ CHECK STEMS, LEVER HANDLES, SWING SPOUT W/ FULL FLOW STREAM STRAIGHTENER 12.5 GPM @ 60 PSI, 1/2" NPT MALE INLETS

PRODUCT COMPLIANCE:  
ASME A112.18.1 / CSA B125.1  
NSF 61 - Section 9  
NSF 372 (Low Lead Content)