

- **NR3640DSSV** 35-3/4"L x 33"D x 39-5/8"H
- **NR4840DSSV** 47-3/4"L x 33"D x 39-5/8"H

Included

- NOTE: Glass warranty only applicable to first point of delivery
- (1) Level of clear glass shelving removable and adjustable on 1" centers
- LED top & shelf lights
- One piece formed ABS plastic tub
- Second year parts & labor warranty



NR4840DSSV

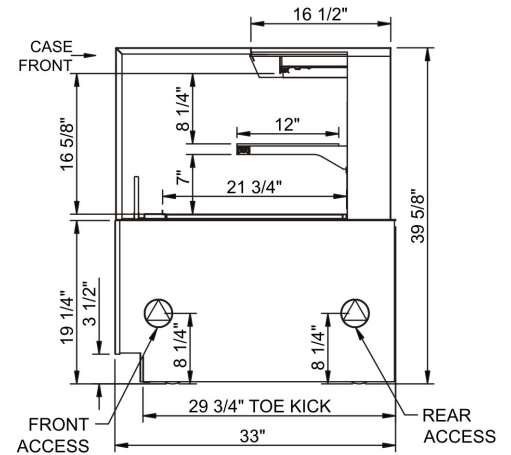
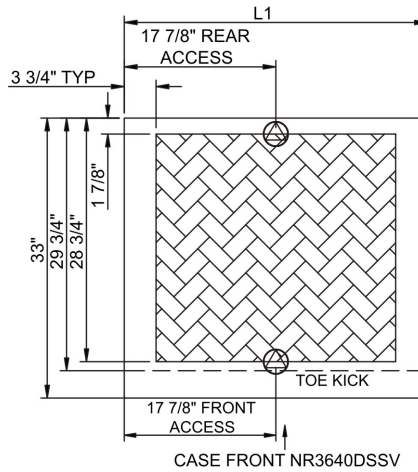
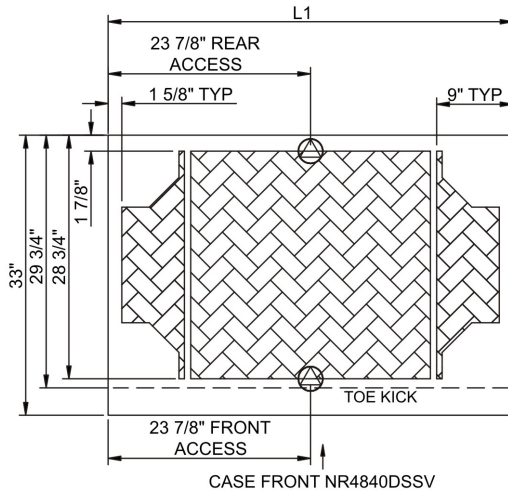
| Specify | Standard Features | Additional Options |
|--------------------------------|---------------------------------|--|
| FRAME EXTERIOR COLOR | • Powder coated Silversan Black | • Painted (non-stock colors, specify RAL#) • Powder coated (stock/non-stock colors) • Stainless steel |
| INTERIOR COLOR | • Powder coated Silversan Black | • NOTE: Interior color must be FDA & NSF approved • Powder coated (stock colors, specify RAL#) • Stainless steel |
| LOWER FRONT PANEL COLOR | • Powder coated Silversan Black | • Powder coated (stock colors, specify RAL#) • Stainless steel |
| PANEL EXTERIOR | • Black | • Laminate (stock/non-stock colors) • Stainless steel |
| BASE SUPPORT | • Adjustable, locking casters | • 6"H legs (self-cont.) |
| END PANELS | • Full end panel | • None (specify per line-up) |
| LOWER REAR PANEL | • Powder coated Silversan Black | • Powder coated (stock colors, specify RAL#) • Stainless steel |
| REAR DOORS | • None (solid back panel) | • Clear glass rear sliding doors • Reflective glass rear sliding doors |
| LIGHTS | • LED 3500K w/ frosted lens | • LED 3000K w/ frosted lens • LED 4000K w/ frosted lens |
| ELECTRICAL CONNECTION | • 6' Straight blade power cord | • 6' Locking blade power cord • Electrical leads (non-refrigerated) |
| MISCELLANEOUS | | ¹ • 14.5" Base height extension • Rear door lock • Second year parts & labor warranty |
| ACCESSORIES | | • Price tag molding (matches interior color) (CDR7658) • Removable clear acrylic security cover, locking |

Option Notes: 1 - Cannot be combined w/ 6"H legs

| | | |
|--|---|----------------------------------|
| Intended Environment: Type I - Designed to operate in ambient conditions of 75°F with 55% relative humidity unless noted otherwise in system information below. | | |
| Zone | Intended Product To Be Displayed | Warmest Avg Prod Temp ° F |
| 1 | Packaged non-refrigerated products | Ambient |

PLAN VIEW

SIDE VIEW



NOTE: ALL DIMENSIONS APPROXIMATE

- ELECTRICAL JUNCTION BOX (SUPPLIED WITH 6" LEADS OR POWER CORD).
- LOCATION OF DRAIN TUBE FOR REMOTE REF. ONLY (SUPPLIED WITH 3/4" OR 1 1/2" PVC TUBE).

- REFRIGERATION LINE CONNECTION.
- REMOTE FLOOR SINK & UTILITIES ACCESS AREA.

- SELF-CONTAINED CASE SERVICE ACCESS AREA.
- DRY CASE SERVICE ACCESS AREA.

| Model Technical Specifications | | | | | | | | | | | | | | | | |
|--------------------------------|-----|-------|-----|----------------------|------------|---------|------|----------|-------|-------|-----------|-----------------|-----------------|-----------------|--------|-----|
| Model | L" | L1" | L2" | System Circuit Volts | Circuit #1 | Phs | Freq | Amps *** | Watts | Wires | NEMA Plug | SST | Conv. Rack BTUH | Para. Rack BTUH | Est Wt | |
| NR3640DSSV | N/A | 35.75 | .00 | Ambient/Lights (N/A) | Circuit #1 | 110-120 | 1 | 60 | 0.70 | 7 | 2+G | 5-15P or L5-15P | N/A | N/A | N/A | 550 |
| NR4840DSSV | N/A | 47.75 | .00 | Ambient/Lights (N/A) | Circuit #1 | 110-120 | 1 | 60 | 0.70 | 10 | 2+G | 5-15P or L5-15P | N/A | N/A | N/A | 750 |

*** Does not include electric defrost on freezer models.

| Regulatory Approvals: | |
|-----------------------|---|
| All Models | ETL Listed to UL 65 ETL Sanitation to NSF/ANSI 2 |



Important Notes:

- 1) ELECTRICAL NOTE: If GFCI is required, a GFCI breaker MUST be used in lieu of a GFCI receptacle
- 2) Glass warranty only applicable to first point of delivery.

⚠ WARNING: This product can expose you to chemicals, including Urethane (Ethyl Carbamate), which are known to the State of California to cause cancer and birth defects or other reproductive harm. For more information go to www.P65Warnings.ca.gov.