

# Glastender®

A family company manufacturing in the USA

[www.glastender.com](http://www.glastender.com)



RCT-2-PB

NOTE: Faucet handles not included.

## Optional Rinser Faucet

### Installation Notes

- Unit does not provide a 1" air gap
- Must be installed with external backflow prevention to meet applicable federal, state, and local plumbing code requirements.
- Install in-line water pressure regulator (included)
- A separate shut-off valve is recommended (not included)

NOTE: Rinser faucets are not intended for use with towers mounted to a refrigerator due to risk of water line freeze up.

03012383  
Rinser Faucet Assembly



**Intertek**  
4004503  
Conforms to NSF/ANSI STD 372



Optional Rinser Faucet Extension

Cleaning & care instructions: <https://www.glastender.com/support/documents/manuals/general-cleaning-and-care-instructions-for-stainless-steel>

Project: _____	AIA# _____
Item #: _____ Qty: _____	SIS# _____
Model #: _____	

# Rembrandt Towers

RCT- -

**Size:** Specify the number of faucets from 2 or 3

**Hardware Finish:**  
MF = Mirror finish  
PB = Polished brass

## Standard Features

- 1/4" stainless steel shanks with 3/16" restriction lines
- All stainless steel mirror finish faucets
- Available in mirror finish or polished brass\* (\*NOTE: Polished brass towers provided with mirror finish drain pan and polished brass perforated insert)
- Surface-mount, stainless steel drain pan with removable, perforated insert

## Configurable Options

- 2 or 3 faucets
- Mirror or polished brass finish
- Air cooled for direct-draw system or glycol cooled for recirculating system
- Numerous ceramic color finishes; consult factory for details
- Rinser faucet extension to the left or right of the drain pan; specify RFE option

## Specifications

### Materials

- Miscellaneous ceramic, stainless steel, and brass parts in dispensing tower
- 20 gauge stainless steel parts include drain pan and perforated inserts

### Shank Sizes

- 1/4" I.D. with 3/16" fitting

### Drains

- 1/2" tailpiece on drain pan

### Rinser Faucet (optional)

- Accepts 3/8" cold water lead
- 30 psi water pressure regulator included
- 1.2 gallons per minute

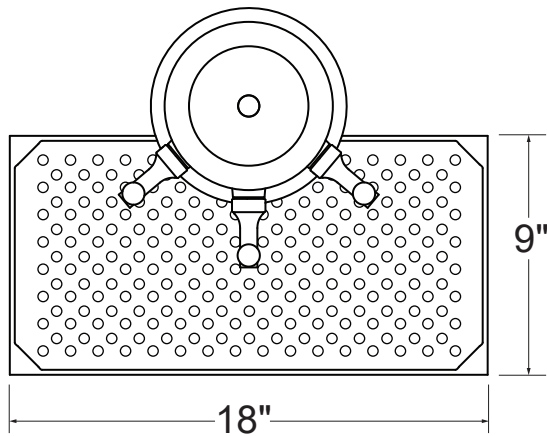
**Glastender, Inc.** • 5400 N Michigan Rd • Saginaw, MI • 48604-9780  
989.752.4275 • 800.748.0423 • Fax 989.752.4444  
[www.glastender.com](http://www.glastender.com)

Approval/Notes:

Specifications subject to change without notice. For current specifications please visit our website.

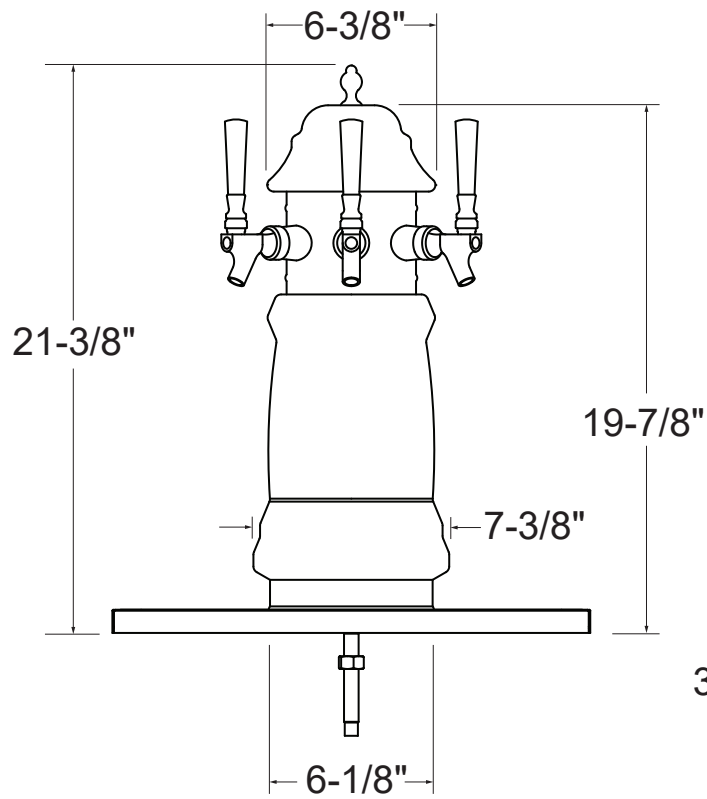
# Roman Towers

## Drawings

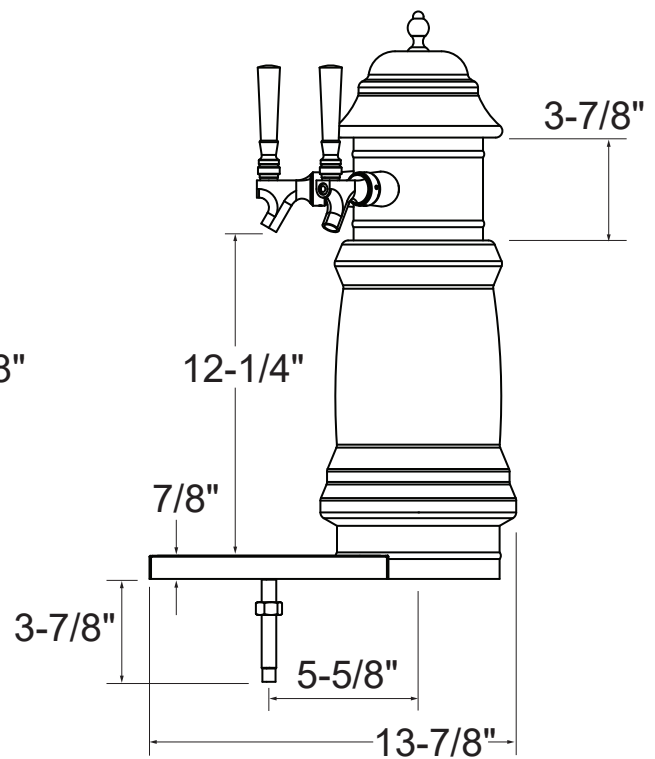


PLAN VIEW

RCT-3-MF SHOWN



FRONT ELEVATION



SIDE ELEVATION