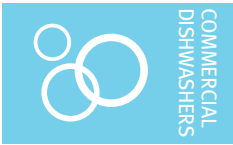




Project \_\_\_\_\_  
 AIA # \_\_\_\_\_ SIS # \_\_\_\_\_  
 Item # \_\_\_\_\_ Quantity \_\_\_\_\_ C.S.I. Section 114000



# CL86-ADV advansys ELECTRIC

## High Temperature Rack Conveyor Dishwashing Machine



### SPECIFIER STATEMENT

Specified dishwasher will be Hobart CL86 Advansys electric tank heat model. Features include 22" power scrapper, Drain Water Energy Recovery (DWER), automatic soil removal (ASR), Complete Delime™ with Delime Notification, Auto Dispensing and Booster Guard™, capless anti-clogging wash arms, 342 racks per hour, 114 gallons per hour pumped final rinse, ENERGY STAR®, insulated ergonomic cabinet style doors, touchscreen controls with WiFi connectivity, and NSF approved pot and pan cycle mode. The wash tank utilizes durable precision pressure sensor monitors in lieu of conventional mechanical floats. The 19.5" standard chamber height will accommodate up to (6) standard sheet pans at a time on an open-end sheet pan rack.

### STANDARD FEATURES

- + 114 gallons per hour pumped final rinse
- + 342 racks per hour
- + 22" power scrapper
- + Automatic Soil Removal (ASR)
- + Drain Water Energy Recovery (DWER)
- + Drain water tempering kit (factory installed)
- + ENERGY STAR® Certified
- + Complete Delime™ with Delime Notification, Auto Dispensing and Booster Guard™
- + Internal stainless steel pressure-less 24 kW booster heater (70°F rise)
  - Single point electrical connection standard
- + Capless, anti-clogging wash arms
- + Large double door opening for ease of cleaning
- + 19.5" chamber height opening (accepts sheet pans)
- + Doors are insulated & hinged with door interlock switches
- + User-friendly smart touchscreen controls with diagnostics & troubleshooting
- + WiFi connectivity
- + SmartConnect app and cloud with machine status, temperature logs, error code reporting, and cost, consumption and usage analysis
- + Energy saver mode (programmable auto-shut down)
- + NSF rated configurable pot and pan cycle
- + Self-aligning wash manifolds
- + Stainless steel self-draining pump and impeller
- + Sloping scrap screens and deep scrap baskets
- + Rapid return conveyor drive mechanism
- + Service diagnostics
- + Door actuated drain closure
- + Vent fan control

### OPTIONS & ACCESSORIES (Available at extra cost)

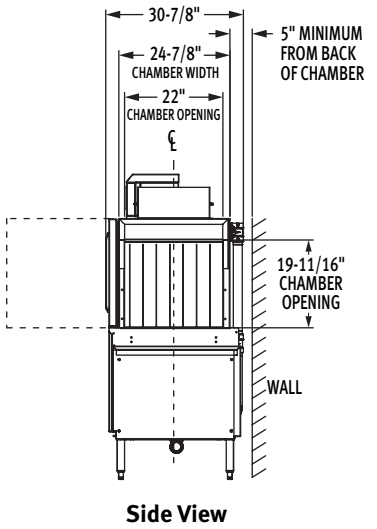
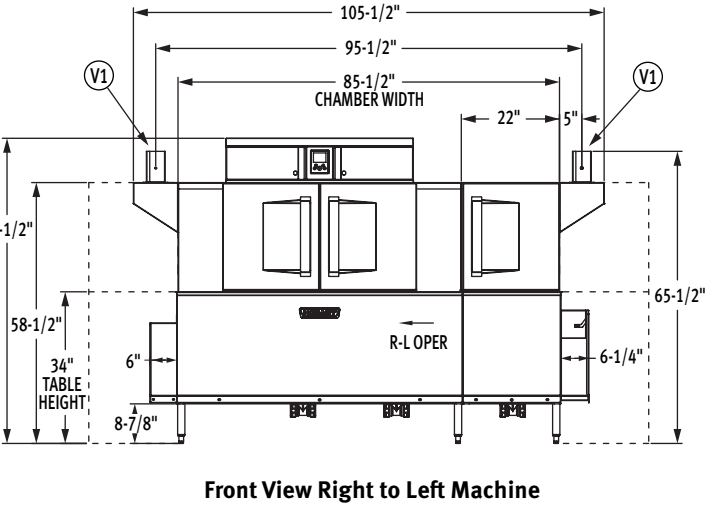
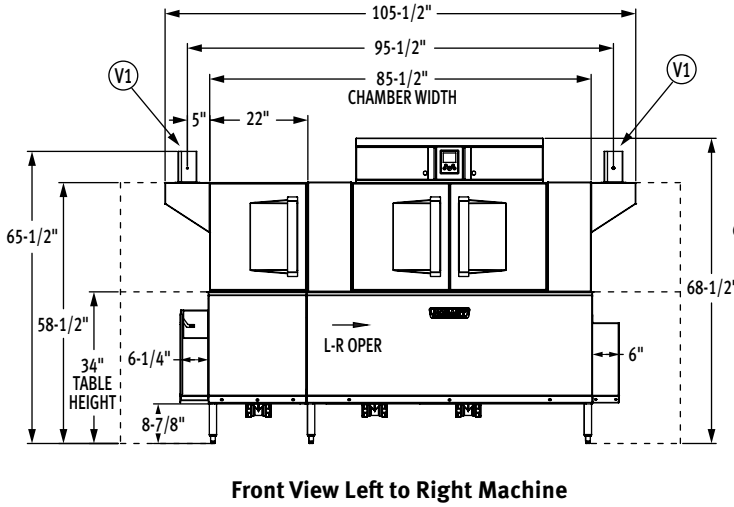
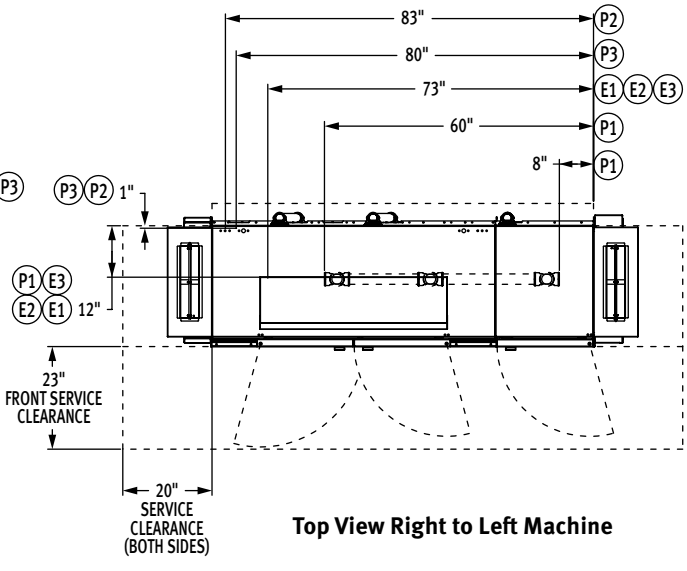
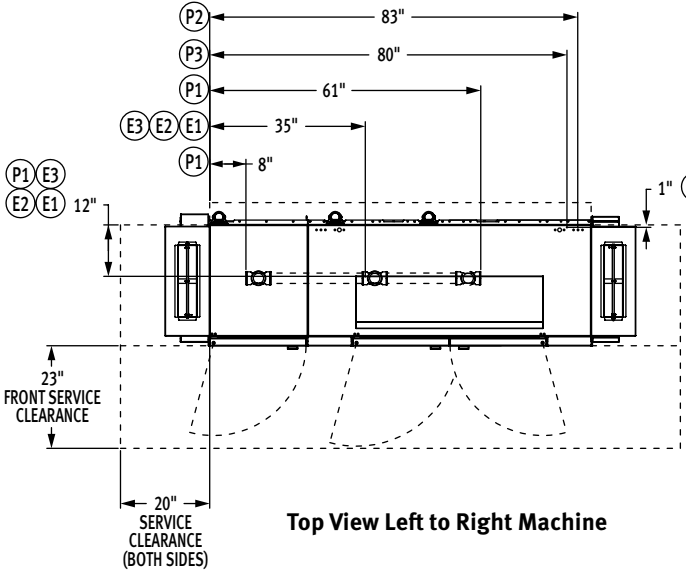
- Standard, short, and extended stainless steel vent hoods
- Direct drive unloader – adds 38" length; Reference spec F48944 for more details
- Side loader – SL23 adds 23" length, SL30 adds 30" length; Reference specs F40926 and F40927 for more details
- Blower-dryer – adds 33 1/8" to length; Reference spec F48945 (electric blower-dryer) and F48950 (steam blower-dryer) for more details (ships separate from dishmachine, contact Hobart Service for installation)
- Flanged feet kit (requires three kits)
- Higher than standard chamber (24" opening)
- Table limit switch with 20' cable
- Correctional package (factory installed, contact Hobart for details)
- Water shock absorber kit
- Factory-mounted circuit breakers (contact Hobart for details)

CL SERIES – CL86-ADV advansys ELECTRIC

Approved by \_\_\_\_\_ Date \_\_\_\_\_ Approved by \_\_\_\_\_ Date \_\_\_\_\_



**CL86-ADV** advansys **ELECTRIC**  
 High Temperature Rack Conveyor  
 Dishwashing Machine



MODEL: CL86-ADV ELECTRIC  
 L-R OPERATION  
 00-563927  
 REV A

MODEL: CL86-ADV ELECTRIC  
 R-L OPERATION  
 00-563937  
 REV A



# CL86-ADV advansys ELECTRIC

## High Temperature Rack Conveyor Dishwashing Machine

### LEGEND

Electrical Connections	
SINGLE POINT CONNECTION	
<b>E1</b>	Electric connection, single point: motors, controls, tank heat, with 24kW electric booster heater, 65" AFF.
DUAL POINT CONNECTION WITH BOOSTER	
<b>E2</b>	Electric connection: motors, tank heat, 62" AFF.
<b>E3</b>	Electric connection: controls, 24kW booster heater, 65" AFF.
Plumbing Connections	
<b>P1</b>	Drain: 2" FPT, 7-3/8" AFF, two possible connections; may be drained to either side of drain housing, plug opposite side.
<b>P2</b>	Hot water connection: 1/2" FPT, 12" AFF, 24kW booster, 110°F minimum.
<b>P3</b>	Cold water connection: 1/2" FPT, 12" AFF, 55°F minimum, 80°F maximum.
Vent Connections	
<b>V1</b>	Optional vent hoods: 4" x 16" vent stack with damper. Load end 200 CFM, unload end 400 CFM.

### SPECIFICATIONS

#### Capacities

Racks per Hour (NSF rated)	342
Wash Tank (U.S. gallons)	23
Power Rinse Tank (U.S. gallons)	22
Power Scrapper (U.S. gallons)	23
Conveyor Speed (feet per minute)	9.5

#### Motor Horsepower

Drive	1/6
Wash	2
Power Rinse	2
Power Scrapper	2
Final Rinse	2/3
Drain Water Energy Recovery	1/5
Automatic Soil Removal	1/5

#### Water Consumption

U.S. Gallons per Hour	114
U.S. Gallons per Rack	0.33
Peak Drain Flow (U.S. gallons per minute)	38

#### Heating

Tank Heat, Electric (kW)	25
Electric Booster (built-in) (kW for 70°F rise)	24

#### Venting

Load End (minimum CFM)	200
Unload End (minimum CFM)	400

**Shipping Weight (approximate)** . . . . . 1,195 lbs.

**Crated Dimensions** . . . . . 102"L x 38"W x 79"H

<b>E1</b>	Single Point Electrical Connection with Internal Booster	
Voltage	(E1) Motors, Controls, Tank Heat, 24kW Booster Heater	
	Rated Amps	Minimum Supply Circuit Ampacity/ Maximum Protective Device
208/60/3	168.4	200
240/60/3	153.7	175
480/60/3	79.3	90
600/60/3	62.1	70

<b>E2</b>	Dual Point Electrical Connection with Internal Booster (Field Conversion Only)			
Voltage	(E2) Motors, Tank Heat		(E3) Controls, 24kW Booster Heater	
	Rated Amps	Minimum Supply Circuit Ampacity/ Maximum Protective Device	Rated Amps	Minimum Supply Circuit Ampacity/ Maximum Protective Device
208/60/3	93.3	110	75.1	90
240/60/3	87.5	110	66.2	80
480/60/3	44.8	60	34.5	40
600/60/3	33.9	40	28.2	35

**WARNING:** Electrical and grounding connections must comply with the applicable portions of the National Electrical Code and/or other local electrical codes.

**CAUTION:** Certain materials including silver, aluminum, and pewter are attacked by sodium hypochlorite (liquid bleach).

**ATTN:** Plumbing connections must comply with applicable sanitary, safety and plumbing codes.



# CL86-ADV *advansys* ELECTRIC

## High Temperature Rack Conveyor Dishwashing Machine

**Plumbing Notes:** Water hammer arrestor (meeting ASSE-1010 standard or equivalent) to be supplied (by others) in common water supply line at service connection.

Recommended water hardness to be 3 grains or less for best results.

110°F minimum incoming hot water temperature.

Building flowing water pressure to dish machine is 20 to 65 PSI at the machine.

For convenience when cleaning, water tap should be installed near machine with heavy duty hose and squeeze valve.

**Miscellaneous Notes:** All dimensions taken from floor line may be increased approximately 3/4" or decreased 1/2".

For HTS, add 4-5/16" to all dimensions above table line.

For HTS, add 15 lbs. to the domestic shipping weight of each model.

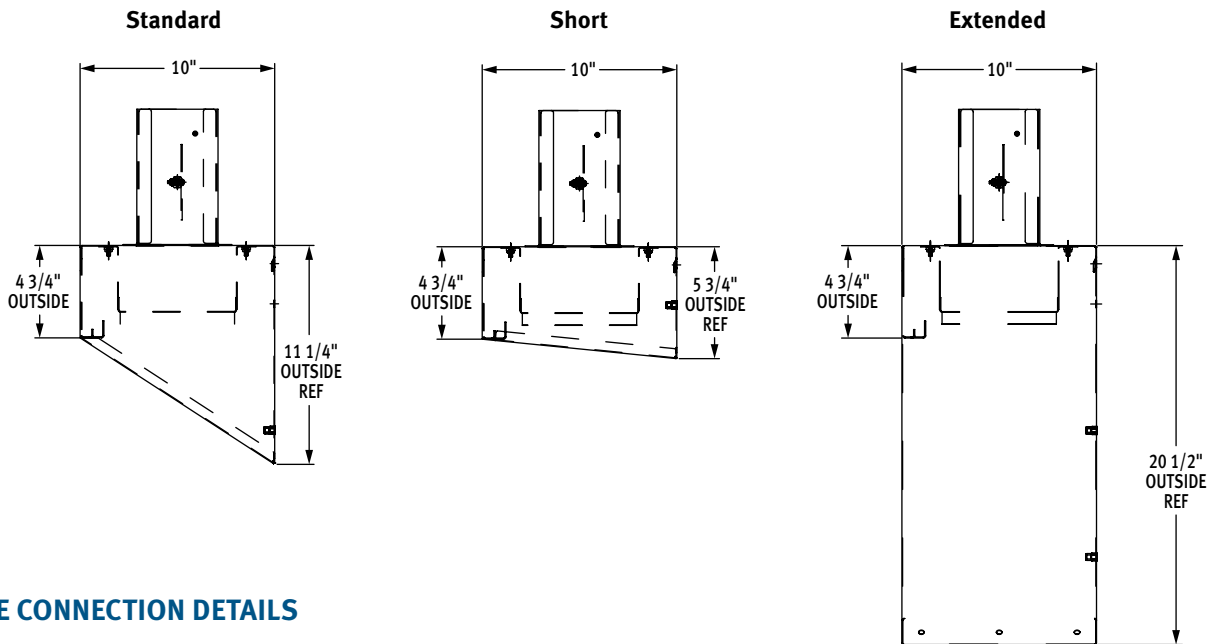
For optimal performance, Hobart recommends maintaining a dishroom temperature of 65°F (18°C) or higher, as lower temperatures may hinder the machine's capacity to operate effectively (with lower performance as ambient temperature decreases).

**Electrical Note:** Dishmachine not provided with internal GFCI protection.

CL86-ADV Electric Heat Dissipation		
Booster	BTU/HR.	
	Latent	Sensible
24kW Booster	49,400	21,200

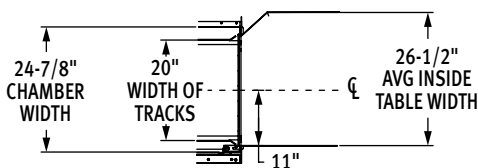
**NOTE:** Additional Voltages and Amperages are available, see document F48913.

### VENT HOOD OPTIONS (Adjustable, vent stack can be adjusted 1" to either side)

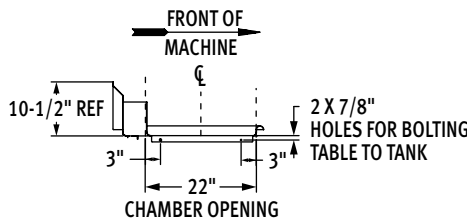


### TABLE CONNECTION DETAILS

**Tabling Connection: 86" inside tank (at table connection)**



**Suggested Track and Table Layout**



**View Showing Hole Locations in Turned Down Portion of Table**



**Sectional View Showing Table Connections**

As continued product improvement is a policy of Hobart, specifications are subject to change without notice.