



Your Solutions Partner

Specifications

F.O.B. Sedalia, Missouri 65301



TTS-32

OPTIONS:

- 14 gauge tops
- Silverware dispenser (5) cups
- Silverware dispenser (7) cups
- Plastic cup
- 6" Stainless steel legs
- Veneered plastic laminate panels on body
- Powder coat paint colors

Approval Stamp(s):

PRODUCT INFORMATION:

PROJECT: _____

ITEM: _____

QUANTITY: _____

MODEL:

Thurmaduke Serving Systems

Tray Stand Units

- TTS-32** 32" length unit

TOP:

- 16 gauge, 300 Series stainless steel
- Sound-deadening
- 10" x 28" top shelf
- 3" riser on two sides and rear

BODY:

- Choice of (12) powder coat paint colors
- Stainless steel body, enclosed front and ends
- NSF approved 5" diameter polyurethane casters
- Operator's side open to bottom shelf

SILVERWARE DISPENSER (optional):

- Model #T71
- Model #T73
- Die-stamped heavy gauge stainless steel
- 3-1/2" diameter perforated plastic cup- 5" deep

Agency Listings:



DUKE MANUFACTURING CO.

2305 N. Broadway

St. Louis, MO 63102

800.735.3853 Toll Free

314.231.5074 Fax

www.dukemfg.com

SS-1175 Thurmaduke - Tray Stand

Specification subject to change



REV C 08/05/2024

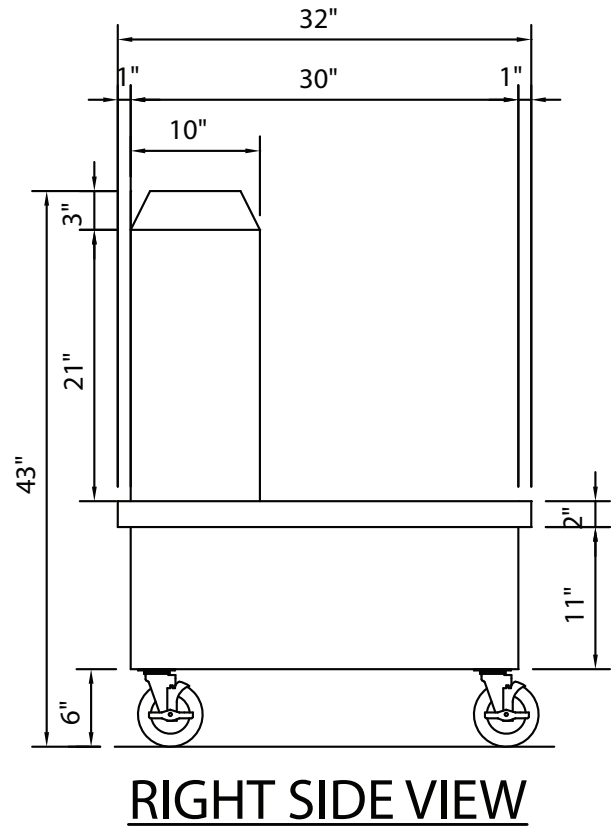
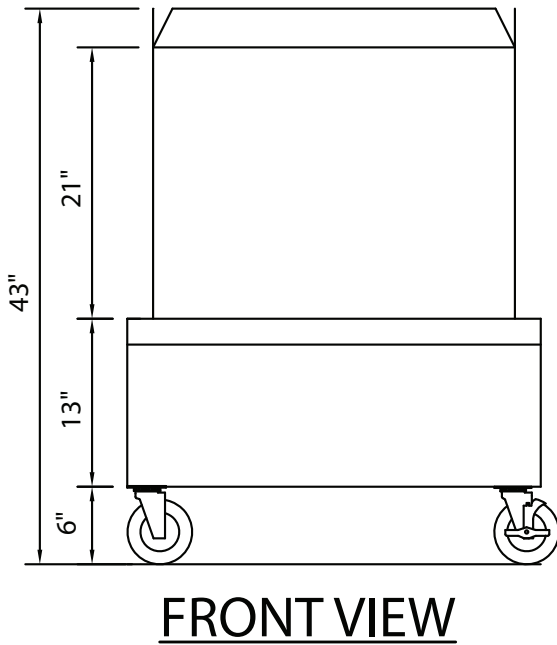
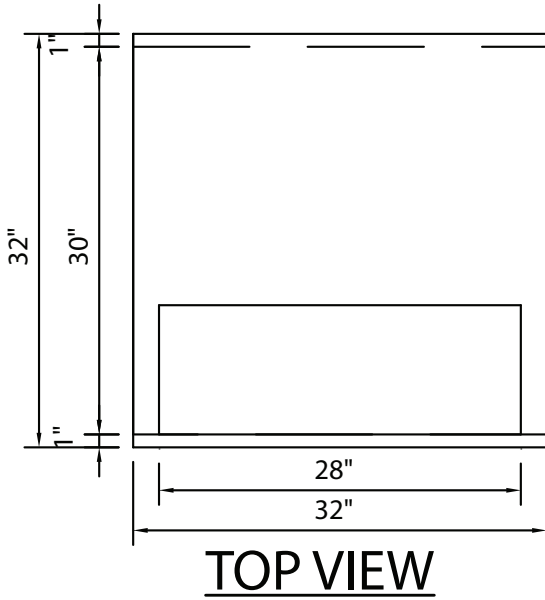
THURMADUKE SERVING SYSTEMS - TRAY STAND UNIT

Catalog No. TSS-TRAYSTAND

A.I.A. File No. 35-C-13



Thurmaduke Serving Systems Tray Dispenser Units



DIMENSIONS:

Freight Class: 150

Model	Length		Width		Height		Cube ft. crated	Weight	
	in	cm	in	cm	in	cm		lbs	kg
TTS-32	32	81.3	31	78.7	43	109.2	39.6	148	67.3



Duke Manufacturing Co.
2305 N. Broadway
St. Louis, MO 63102

Phone: 314-231-1130
Toll Free: 1-800-735-3853
Fax: 314-231-5074

www.dukemfg.com