

TDO-N-3.5 Dispenser, w/Brew Thru Lid

Height: 22.4" Width: 6.3" Depth: 19.0"
(56.9cm) (16.0cm) (48.3cm)



- For use with BUNN TB-3, TB-3Q, ITB and ITCB brewers with 29" trunk height
- Two dispensers placed side-by-side allow for greater capacity, and added flexibility in menu options, within the same footprint as one cylinder or oval dispenser
- 7" cup clearance
- Front - back handles for reduced counterspace usage
- Ships with full-color iced tea decal
- Sump dispense valve assures complete dispensing
- Uses urn liners for quick change-out and reduced cleaning
- Urn liners not included
- Pinch tube faucet requires use of urn liner

Agency:



Specifications

Product #: 39600.0083

Finish: Stainless

Handle: Front/Back Carry Handles

Lid Color: Black

Additional Features

Pinch Tube Faucet

Holding Capacity

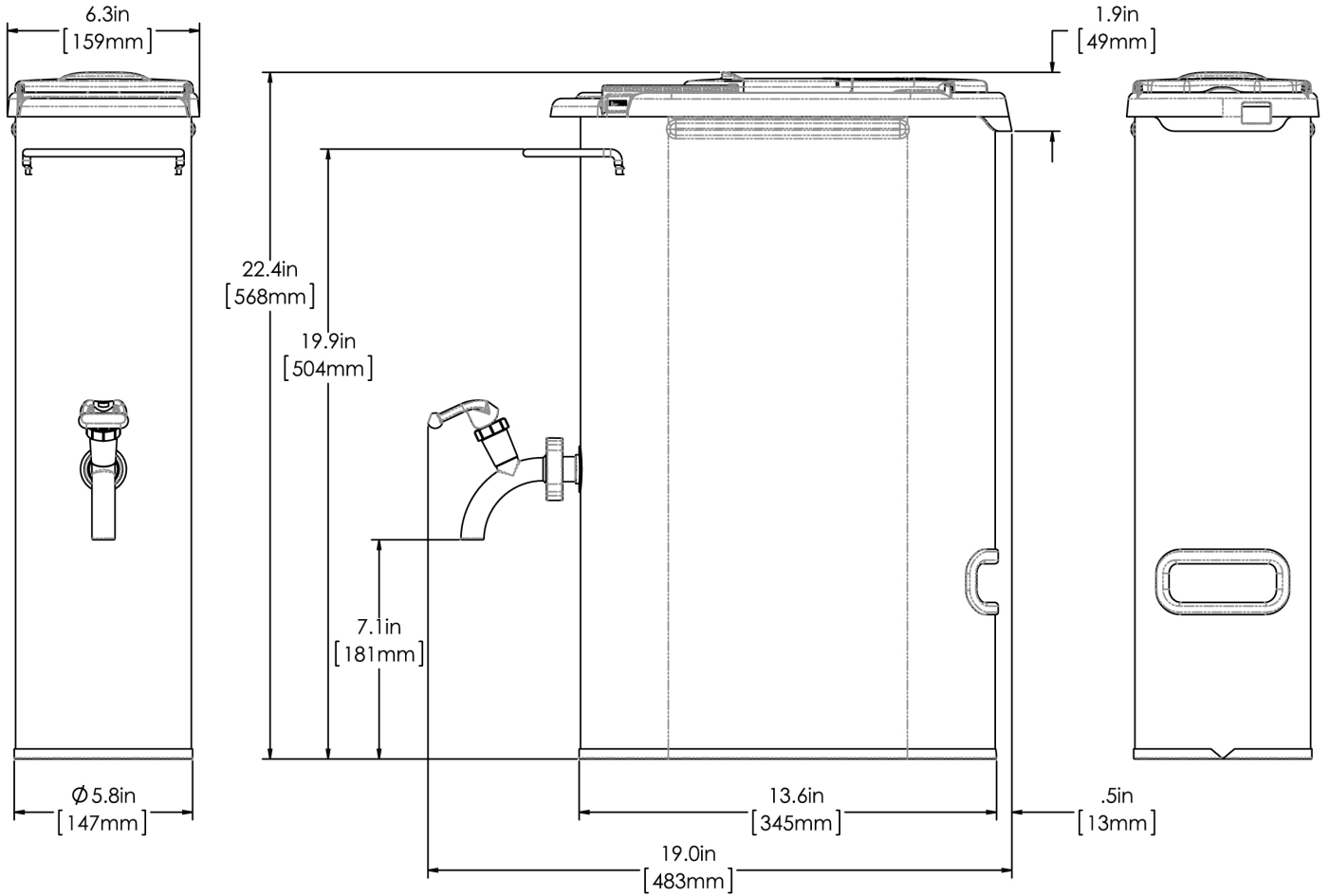
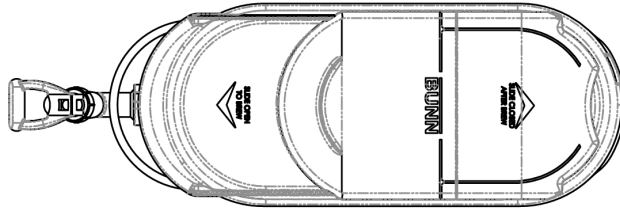
English	Metric
-	-

 **WARNING:**



BUNN® reserves the right to change specifications and product design without notice. Such revisions do not entitle the buyer to corresponding changes, improvements, additions or replacements for previously purchased equipment. For most current specifications and other info visit bunn.com.

Last Updated:
08/28/2025



	Unit			Shipping				
	Height	Width	Depth	Height	Width	Depth	Weight	Volume
English	22.4 in.	6.3 in.	19.0 in.	23.8 in.	6.7 in.	16.5 in.	10.890 lbs	1.515 ft ³
Metric	56.9 cm	16.0 cm	48.3 cm	60.3 cm	17.0 cm	41.9 cm	4.940 kgs	0.043 m ³



BUNN® reserves the right to change specifications and product design without notice. Such revisions do not entitle the buyer to corresponding changes, improvements, additions or replacements for previously purchased equipment. For most current specifications and other info visit bunn.com.

Last Updated:
08/28/2025

Related Products & Accessories:TDO-N-3.5 Dispenser, w/Brew Thru Lid(39600.0083)



KIT, DRIP TRAY W/O
MTG TAB, TDO-N

Product #: 39626.1001



KIT, TDO-N-3.5 SLIDE-
LID LOCK

Product #: 43692.0001²

KIT, PINCH TUBE
ADAPTER HANDLE

Product #: 57516.0000²

¹NSF Certified ²NSF Certified with spec sheet model listed ³NSF Certified under Solventum Purification ⁴NSF Certified under Mavea LLC ⁵NSF Certified under Zojirushi ⁶NSF Certified under Qins Inc ⁷NSF COMPONENT Certified



BUNN® reserves the right to change specifications and product design without notice. Such revisions do not entitle the buyer to corresponding changes, improvements, additions or replacements for previously purchased equipment. For most current specifications and other info visit bunn.com.

Last Updated:
08/28/2025

Model Compatibility: TDO-N-3.5 Dispenser, w/Brew Thru Lid(39600.0083)

Serving and Holding selections are currently unavailable. Please contact your sales representative to find out more information.

¹NSF Certified ²NSF Certified with spec sheet model listed ³NSF Certified under Solventum Purification ⁴NSF Certified under Mavea LLC ⁵NSF Certified under Zojirushi ⁶NSF Certified under Qins Inc ⁷NSF COMPONENT Certified



BUNN® reserves the right to change specifications and product design without notice. Such revisions do not entitle the buyer to corresponding changes, improvements, additions or replacements for previously purchased equipment. For most current specifications and other info visit bunn.com.

Last Updated:
08/28/2025