

Master Electric Production Griddle

Project _____
 Item _____
 Quantity _____
 CSI Section 11400
 Approved _____
 Date _____

Models

- ECG-36R
- ECG-48R
- ECG-60R
- ECG-72R



Model ECG-36R
 (Shown on optional stand
 with casters)

Standard Features

- Full-width front rail
- Rear grease trough with bottom drawer
- Three (3) flat bar heating elements, (4.3 kW total), per 12" (305mm) of griddle width
- 208 or 240 volt models
- Electric main on/off power switch w/ indicator light (green)
- On/off switch for each thermostat
- Electronic thermostat, (150°F/66°C - 450°F/232°C), for each 12" (305mm) heat zone
- "Heat-on" indicator light (amber)
- Stainless Steel sides
- Stainless steel front panel
- Stainless steel backguard
- Stainless steel grease trough
- Stainless steel side griddle splash guards
- Stainless steel 6" (152mm) deep, grease drawers with integral grease baffles. Capacity 1.6 gal/6 L.
- 6" (152mm) stainless steel adjustable legs
- Nickel-plated thermostat guards
- Eight-inch high backsplash
- Contoured grease chute opening
- 6' (1829mm) cord and plug standard on 36" - 48" 3-phase models

Options & Accessories

- Other Non-CE agency approved voltages available, (220/240V/50Hz), upon request, direct connection to junction box is required. Contact factory for options
- 10-1/2" (266mm) deep grease drawers, no charge (stand models only). 2.36 gal/8.9 L
- Protective shield for controls
- All stainless steel open stand, 30.292" (769mm) high with bottom shelf on adjustable legs or casters
- 4" (102mm) high stainless steel adjustable legs & 3-1/4" (83mm) high grease drawer, ideal for refrigerated equipment base mounts. Grease drawer capacity 1.4 gal/5.25.
- Chromed griddle

Specifications

Heavy-duty electric griddles, available in four sizes, 36", 48", 60" & 72" wide.

High performance, volume production with even, consistent, controlled temperatures

One-inch (25mm) thick griddle plate.

Electronic thermostat with embedded sensor and three efficient flat bar heating elements per 12" (305mm) of griddle width.

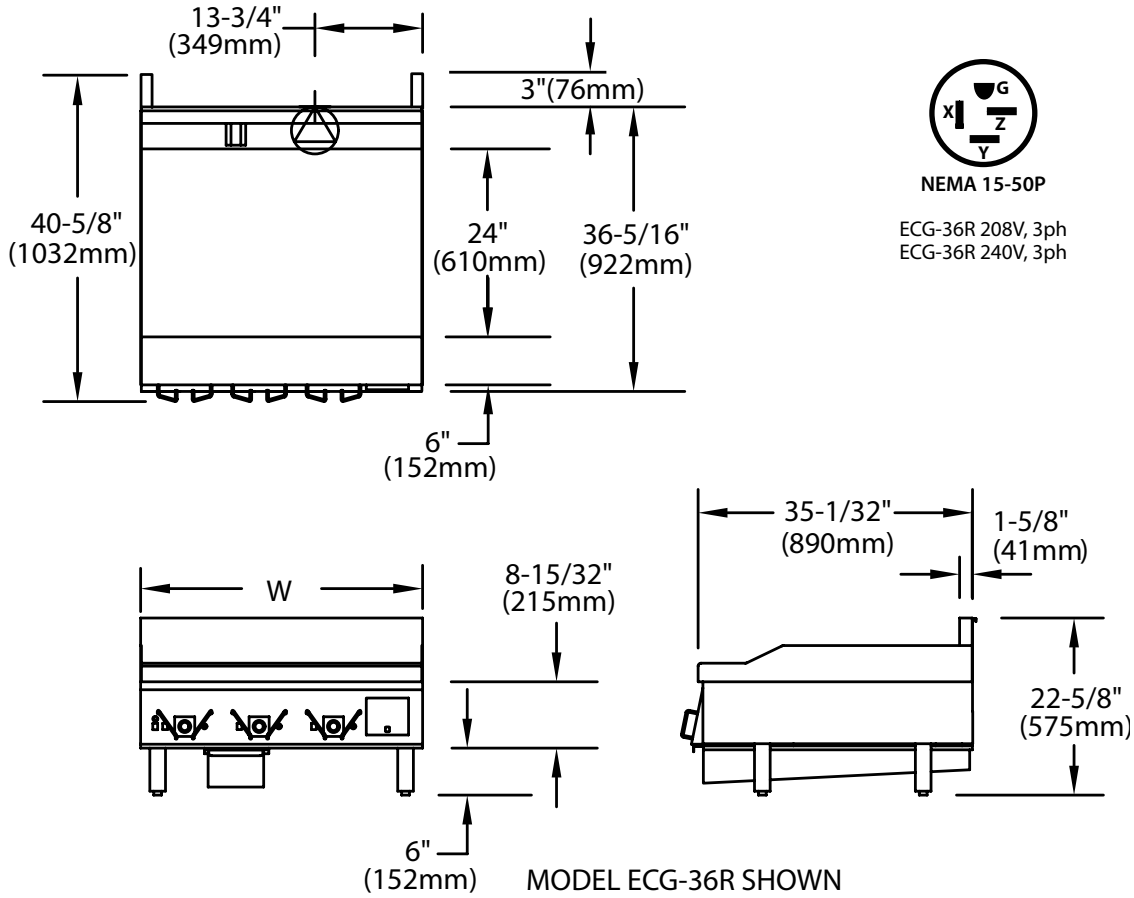
All stainless steel exterior.

Full-width front rail, high capacity, sloped bottom grease drawers. 6" (152mm) legs standard, or optional stand.

NOTE: Griddles supplied with casters must be installed with an approved restraining device.



Master Electric Production Griddle



NEMA 15-50P

ECG-36R 208V, 3ph
ECG-36R 240V, 3ph

Model	Width (W)	Voltage	Total kW Load	Load Per Phase			Amps Per Phase			Amps 1 phase	Shipping Wt.
				X-Y	X-Z	Y-Z	X	Y	Z		
ECG-36R	36" (914mm)	208.0	12.90	4.30	4.30	4.30	35.8	35.8	35.8	62.0	400 lbs. (181 kg)
		240.0	12.90	4.30	4.30	4.30	31.0	31.0	31.0	53.8	
ECG-48R	48" (1219mm)	208.0	17.20	5.60	6.00	5.60	48.3	46.6	48.3	82.7	500 lbs. (227 kg)
		240.0	17.20	5.60	6.00	5.60	41.9	40.4	41.9	71.7	
ECG-60R	60" (1524mm)	208.0	21.50	6.90	7.30	7.30	59.1	59.1	60.8	103.4	600 lbs. (277 kg)
		240.0	21.50	6.90	7.30	7.30	51.2	51.2	52.7	89.6	
ECG-72R	72" (1929mm)	208.0	25.80	8.60	8.60	8.60	71.6	71.6	71.6	124.0	700 lbs. (318 kg)
		240.0	25.89	8.60	8.60	8.60	62.1	62.1	62.1	107.5	

Clearances			
Installation		Entry	
Sides	Back	Crated	Uncrated
6" (152mm)	6" (152mm)	40" (1016mm)	38" (965mm)

Garland reserves the right to make changes to the design or specifications without prior notice.

Garland Commercial Ranges Ltd.
1177 Kamato Road,
Mississauga, Ontario
L4W 1X4 CANADA

General Inquires 1-905-624-0260
USA Sales, Parts and Service 1-800-424-2411
Canadian Sales 1-888-442-7526
Canada or USA Parts/Service 1-800-427-6668

www.garland-group.com
6838E
02/26

