



Underbar Slimline Sinks

Stainless Steel Underbar Slimline Sinks



Use your smart phone to scan the above QR code to visit our website:
www.bk-resources.com

Certifications:



Features:

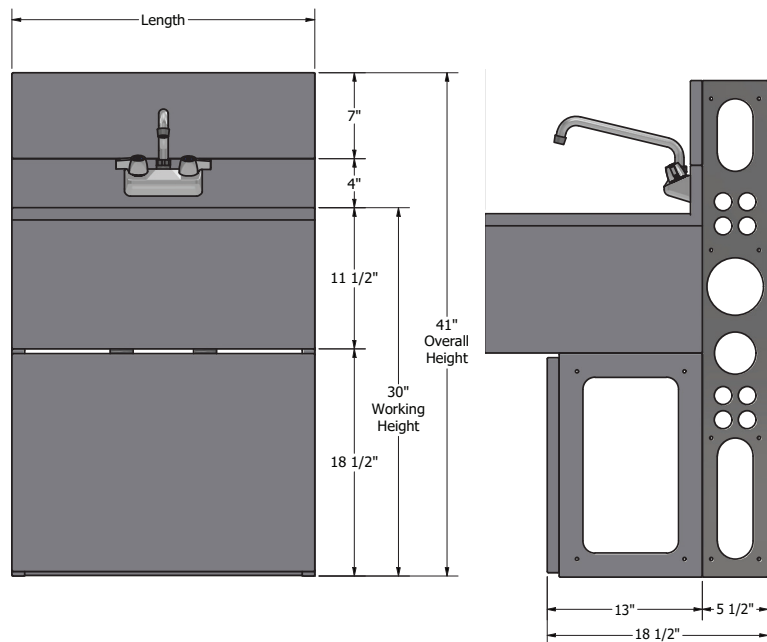
- Integrally Welded Bowls 10"(l) x 14"(w) x 10"(d)
- Stamped and Pitched Drainboards
- Includes: BKD-10-G Faucet, BKDR-2 Basket Drains, BK-OT-15075 7" Overflow Tubes
- Removable SS Front Panel on Base
- Die Wall and Base

Material:

- T-304 18 ga. Stainless Steel



Length	Width	Part Number	# of Bowls	Drainboard Size	Number of Faucet Holes
24"	23.75"	UBDW-18-224S	2	N/A	1
24"	26.75"	UBDW-21-224S	2	N/A	1
36"	23.75"	UBDW-18-336S	3	N/A	1
36"	26.75"	UBDW-21-336S	3	N/A	1
36"	23.75"	UBDW-18-236LS	2	(1) L - 12 - 3/4"	1
36"	23.75"	UBDW-18-236RS	2	(1) R - 12 - 3/4"	1
48"	23.75"	UBDW-18-248TS	2	(2) - 13 - 3/16"	1
48"	26.75"	UBDW-21-248TS	2	(2)-L-13-3/16"	1
48"	26.75"	UBDW-18-348LS	3	(1) L - 13 - 5/8"	1
48"	23.75"	UBDW-18-348RS	3	(1) R - 13 - 5/8"	1
48"	26.75"	UBDW-21-348RS	3	(1) R - 13 - 5/8"	1
48"	26.75"	UBDW-21-348LS	3	(1) L - 13 - 5/8"	1
60"	23.75"	UBDW-18-360TS	3	(2) - 13 - 1/2"	1
60"	26.75"	UBDW-21-360TS	3	(2)- 13 - 5/8"	1
72"	23.75"	UBDW-18-372TS	3	(2) - 19"	1
72"	26.75"	UBDW-21-372TS	3	(2)- 13 - 5/8"	1
72"	23.75"	UBDW-18-472TS	4	(2) - 13 - 3/4"	2
72"	26.75"	UBDW-21-472TS	4	(2)- 13 - 5/8"	2
84"	23.75"	UBDW-18-384TS	3	(2) - 25"	1
84"	26.75"	UBDW-21-384TS	3	(2)- 13 - 5/8"	1
84"	23.75"	UBDW-18-484TS	4	(2) - 19"	2
84"	26.75"	UBDW-21-484TS	4	(2)- 13 - 5/8"	2
96"	23.75"	UBDW-18-396TS	3	(2) - 31"	1
96"	26.75"	UBDW-21-396TS	3	(2) - 31"	2
96"	26.75"	UBDW-21-496TS	4	(2)-13-5/8"	2
96"	23.75"	UBDW-18-496TS	4	(2) - 25"	2



PRODUCT DATA SHEET

BK RESOURCES

