

Enclosed Serving Stations

Laminate

Spec. # _____



Model #67100
(Light Maple finish)

Models

66100, 66105, 66107, 66109, 66112
67100, 67105, 67107, 67109, 67112

Lakeside/Geneva Enclosed Serving Stations Exude Style With Simple Elegance And Functional Storage That Make Hospitality Easy.

- Ideal for remote serving at meetings and other events
- Durable laminate construction is easy to clean and sanitize
- 22½" & 34½" wide interior compartments available
- Fixed interior shelf
- High impact edge molding protects corners of cart during contact with walls and furniture
- No-mark 4" swivel casters, 2 ea. with brake provide smooth maneuverability around tight spaces
- Choice of 10 standard laminate finishes. Custom finishes available



Model #67109



Model #67105



Model #67107



Model #66107



Model #66105

AIA # _____

Specifications:

Unit shall be of fastened ¾" birch plywood construction with durable laminate finish. Interior compartment shall feature one fixed shelf. Top shall be of ¾" birch plywood with matching laminate finish, radius corners and durable protective edging. Unit shall have four ea. 4" swivel casters, 2 ea. with brake.

Models 66105 & 67105 : Shall include hinged door(s) of ¾" birch plywood with matching laminate finish.

Model 66109 & 67109: Shall include pull-out shelf under top.

Model 66107 & 67107: Shall include 4" deep drawer under top.

Model 66112 & 67112 shall include hinged door(s) and pull-out shelf under top.

Lakeside Manufacturing, Inc.

4900 West Electric Avenue • West Milwaukee, WI 53219 U.S.A.

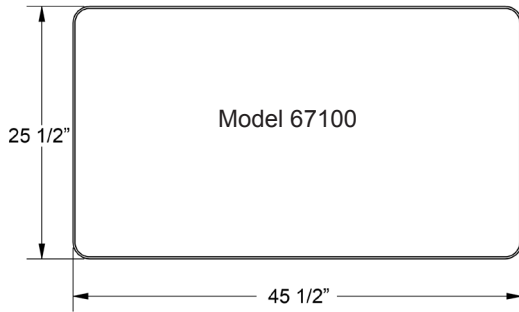
800-558-8565 • 414-902-6400 • Fax 414-902-6446 • info@eLakeside.com • www.elakeside.com/foodservice

Enclosed Serving Stations

Laminate

Models

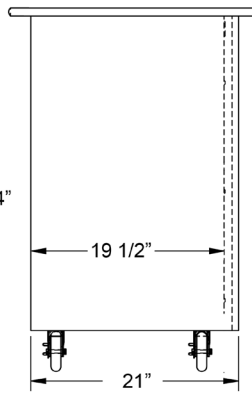
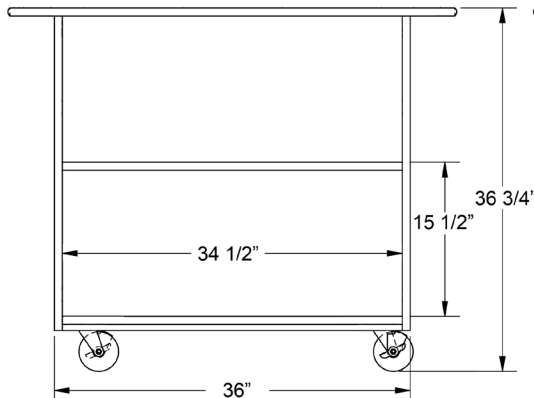
66100, 66105, 66107, 66109, 66112
67100, 67105, 67107, 67109, 67112



Optional 17" Drop Leaf



Optional Contour Top



Optional Roller Corner Bumper

Model Information

Model	Description	Interior Size			Overall Size			Case Weight Lbs (Kg)
		W	D	H	W	D	H	
66100	1 ea. fixed shelf	22½"	19½"	30½"	33½"	25½"	36¾"	168 (76.2)
66105	1 ea. fixed shelf, hinged door	22½"	19½"	30½"	33½"	25½"	36¾"	190 (86.2)
66107	1 ea. fixed shelf, drawer	22½"	19½"	26½"	33½"	25½"	36¾"	188 (85.3)
66109	1 ea. fixed shelf, pull-out shelf	22½"	19½"	29½"	33½"	25½"	36¾"	174 (78.9)
66112	1 ea. fixed shelf, drawer, hinged door	22½"	19½"	26½"	33½"	25½"	36¾"	204 (92.5)
67100	1 ea. fixed shelf	34½"	19½"	30½"	45½"	25½"	36¾"	130 (59.0)
67105	1 ea. fixed shelf, hinged doors	34½"	19½"	30½"	45½"	25½"	36¾"	145 (65.8)
67107	1 ea. fixed shelf, drawer	34½"	19½"	26½"	45½"	25½"	36¾"	140 (63.5)
67109	1 ea. fixed shelf, pull-out shelf	34½"	19½"	29½"	45½"	25½"	36¾"	135 (61.2)
67112	1 ea. fixed shelf, drawer, hinged doors	34½"	19½"	26½"	45½"	25½"	36¾"	165 (74.8)

Available Laminate Finishes

Optional Accessories:

- 17" drop leaves
- Top rails (3 sides)
- Contour top
- Corner top roller bumpers (set of 2)
- Custom laminate finish
- Solid surface top



Lakeside Manufacturing, Inc.
4900 West Electric Avenue • West Milwaukee, WI 53219 U.S.A.
800-558-8565 • 414-902-6400 • Fax 414-902-6446
info@eLakeside.com • www.elakeside.com/foodservice