

Refrigeration Equipment Slide Top Bottle Cooler Black 37" Long

ITEM # _____

MODEL # _____

NAME # _____

SIS # _____

AIA # _____



738294 (KCHBC36)

Slide Top Bottle Cooler Black
37" Long

Short Form Specification

Item No. _____

36 " wide Bottle cooler with sliding top. Exterior back and side panels in painted steel, exterior bottom panel in galvanized steel, top panel in 304 stainless steel; interior side panels in 430 stainless steel, interior back panel, interior bottom panel and worktop in 304 stainless steel. Fin & tube condenser to improve the performances in high temperature environments. Automatic Defrost Cooling System and electronic temperature control. Vinyl-coated steel adjustable dividers and locking lids. R600a gas in refrigeration circuit. ETL Safety and Sanitation certified.

3/5 Years warranty.

Main Features

- External digital temperature display.
- Fin & Tube Condenser improves performance in high temperature environments.
- Automatic Defrost Cooling System provides worry-free performance.
- Cabinet completely insulated with high density polyurethane for low environmental impact.
- Locking lids protect the contents of the unit.
- Bottle opener & cap catcher included, for clean and efficient bar area
- Removable rubber bumper guards for airflow spacing and shock absorption
- Cabinet capable of accepting 192 standard 12-ounce long-neck bottles

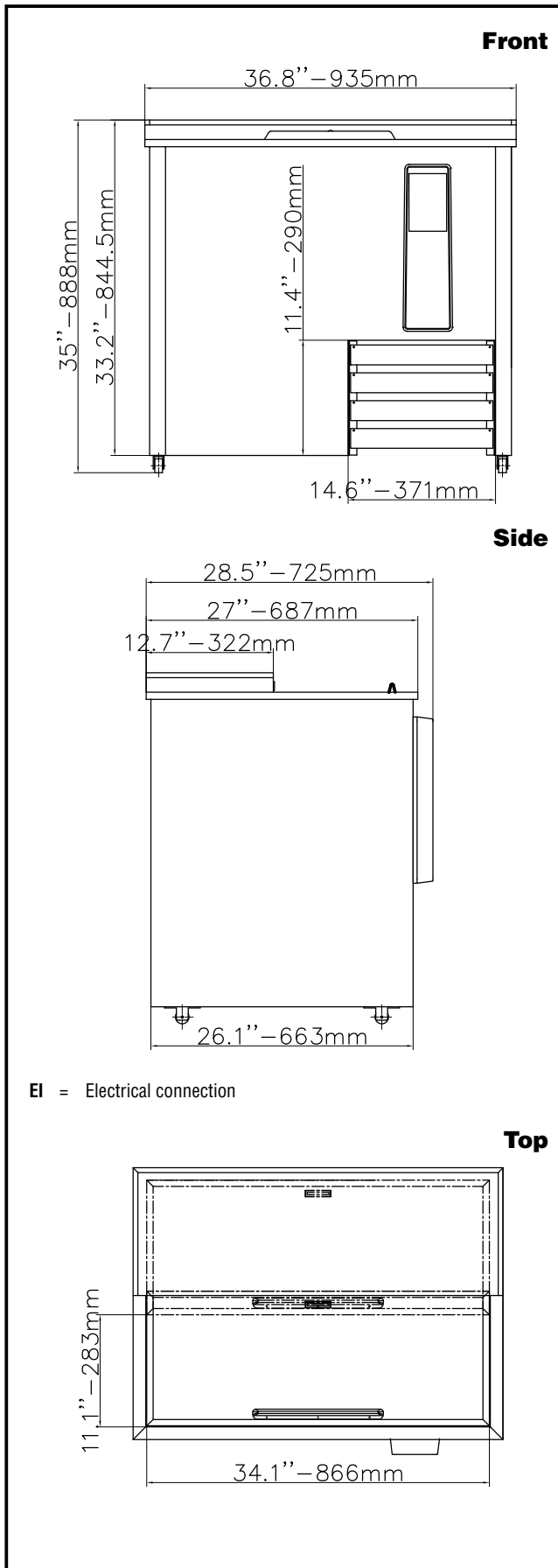
Construction

- Painted black steel exterior, for durable and sleek modern finish
- Pre-wired heavy duty power cord.
- Stainless steel interior, durable and easy to clean for daily commercial use
- Electronic control to select temperatures.
- Smooth rolling wheels, for effortless mobility
- Stainless steel worktop, durable functionality

Sustainability

- CFC and HCFC free (ecological refrigerant type: R600a).
- High efficiency components to minimize the energy consumption still guaranteeing the highest performances.
- Interior LED light to save energy and for best internal visibility.
- 40 mm insulation for energy saving

APPROVAL: _____



Electric

Supply voltage:	115 V/1 ph/60 Hz
Electrical power, max:	0.16 kW
Plug type:	USA NEMA 5-15P

Capacity:

Gross capacity:	10 cu. feet
-----------------	-------------

Key Information:

Warranty:	3 / 5 years
External dimensions, Width:	36 13/16" (935 mm)
External dimensions, Depth:	28 9/16" (725 mm)
External dimensions, Height:	34 15/16" (888 mm)
Number and type of doors:	1
Internal Dimensions (depth):	26 1/16" (662 mm)
Internal Dimensions (height):	22 15/16" (583 mm)
Internal Dimensions (width):	60 3/8" (1534 mm)
Shipping height:	39 3/4" (1010 mm)
Shipping weight:	187 lbs (85 kg)
Shipping volume:	25.6 ft ³ (0.72 m ³)
Type of external material:	Black Prepainted Steel
Type of internal material:	Stainless Steel
Approvals	ETL C&US; ETL SANITATION

Refrigeration Data

Condenser type:	Fin & tube
Operating temperature min.:	32 °F
Compressor power:	1/10 hp
Operating temperature max.:	41 °F
Defrost type:	Auto Defrost

Sustainability

Current consumption:	1.8 Amps
Refrigerant type:	R600a
Refrigerant weight:	60 g