



KMD-410M_J

MODULAR CRESCENT CUBER



KMD-410M_J
04/09/25
Item # 13547

Item #: _____
Project: _____
Qty: _____
AIA#: _____

Features

- ▶ Individual crescent cube
- ▶ Stainless steel evaporator
- ▶ CycleSaver™ design

- Up to 449 lbs. of ice production per 24 hours
- Durable stainless steel exterior
- EverCheck™ alert system
- Removable air filters (air-cooled model only)
- Designed specifically for use on ice and beverage dispenser (pictured with a Lancer 22" model)
- R-404A Refrigerant

Also available on Bins:

B-250SF B-500SF B-800SF DB-130H
BD-300SF B-700SF B-900SF

Top kit is required. See Bin Spec Sheets.

Warranty:

3 Year Parts & Labor on entire machine. 5 Year Parts & Labor on Evaporator. 5 Year Parts on Compressor; air-cooled condenser coil. Valid in United States, Canada, Puerto Rico and U.S. Territories. Contact factory for warranty in other countries.

Shipping: (LxWxH) 33^{3/4"} x 33^{1/4"} X 27^{5/8"} Volume: 17.94ft³

W x D x H
22^{1/4"} x 24^{1/8"} x 24"

KM|EDGE™

KMD-410MAJ
Air-Cooled
Shown on optional
Lancer 22" dispenser

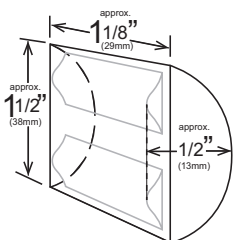
KMD-410MWJ
Water-Cooled



Condenser	Model	ICE PRODUCTION		WATER USAGE		ELECTRICAL							
		Air / Water Temp Lbs. per 24 hours 70° / 50°F 90° / 70°F		Potable Gal. per 100 lbs. 90° / 70°F	Condenser Gal. per 100 lbs. 90° / 70°F	kWh Used per 100 lbs. 90° / 70°F	Min. Circuit/ Max. Fuse Size	Amperage	Voltage	Circuit Wires (including ground)	Heat Rejection BTU/hr.	Refrigerant Charge Amount	Net / Ship Weight (lbs.)
Air	KMD-410MAJ	418	351	23.7	N/A	5.7	20A	8.2A	115V/60/1	3	5,500	1 lb. 0.9 oz.	126 / 161
Water	KMD-410MWJ	449	436	22.9	108	4.1	20A	6.6A	115V/60/1	3	6,300	14.1 oz.	128 / 163

Power cord not included

KMEdge™ Cube Dimensions*



* approximate size in inches, image not to scale

Operating Limits

- Ambient Temp Range 45 - 90°F
- Water Temp Range 45 - 90°F
- Water Pressure 10 - 113 PSIG
- Voltage Range 104-127V
- If GFCI is required, a GFCI breaker MUST be used in lieu of GFCI receptacle

Service

- Panels easily removed and all components accessible for service.
- For proper air circulation and ease of maintenance/service, allow 6" (15 cm) clearance at rear, left side, and top and 12" (30 cm) clearance at right side for both air-cooled and water-cooled models.

Plumbing

- Icemaker Water Supply Line: Minimum 1/4" Nominal ID Copper Water Tubing or Equivalent
- Icemaker Drain Line: Minimum 3/4" Nominal ID Hard Pipe or Equivalent
- Water-Cooled Model (Lines Must Be Independent of Icemaker)
- Condenser Water Supply Line: Minimum 1/4" Nominal ID Copper Water Tubing or Equivalent
- Condenser Drain/Return Line: Minimum 1/4" Nominal ID Hard Pipe (open drain system) or Copper Water Tubing (closed loop system) or Equivalent

Water Filter

Please refer to water filter spec sheet for recommended configurations.

Hoshizaki reserves the right to change specifications without notice.



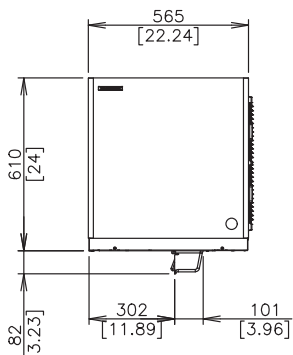
KMD-410M_J

MODULAR CRESCENT CUBER

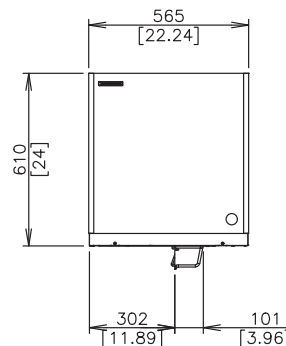


KMD-410M_J
04/09/25
Item # 13547

FRONT VIEW

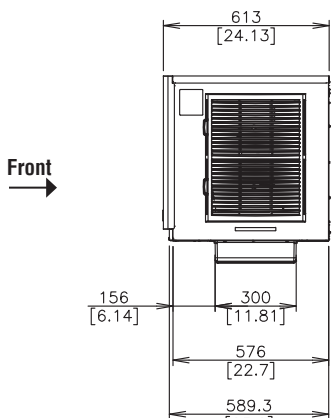


AIR-COOLED

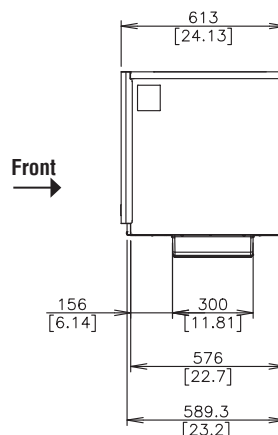


WATER-COOLED

SIDE VIEW

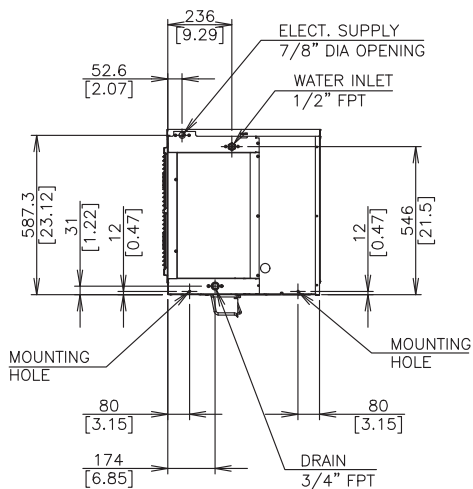


AIR-COOLED

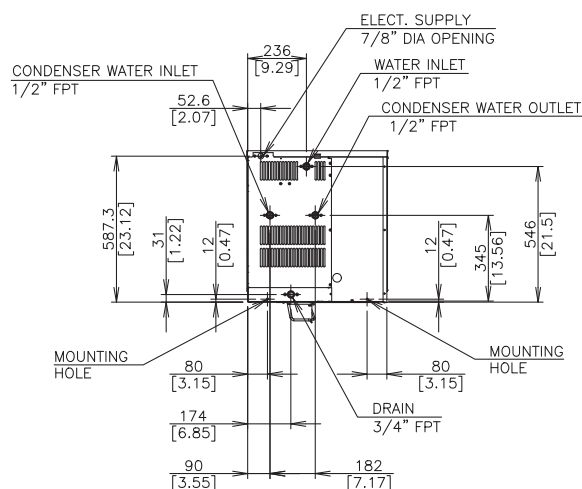


WATER-COOLED

BACK VIEW

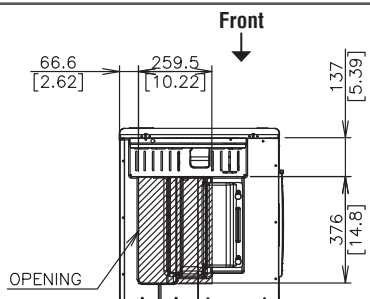


AIR-COOLED

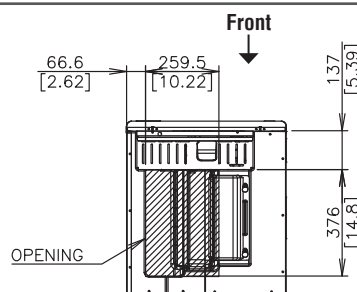


WATER-COOLED

BOTTOM VIEW



AIR-COOLED



WATER-COOLED