

Project: _____	AIA# _____
Item #: _____ Qty: _____	SIS# _____
Model #: _____	

Vienna Towers



VNA-6-MF

NOTE: Faucet handles not included.

VNA- -

Size: Specify the number of faucets from 2, 3, 4, 5, 6, or 8

Hardware Finish:
 MF = Mirror finish
 PB = Polished brass

Standard Features

- 1/4" stainless steel shanks with 3/16" restriction lines
- All stainless steel mirror finish faucets
- Available in mirror finish or polished brass* (*NOTE: Polished brass towers provided with mirror finish drain pan and polished brass perforated insert)
- Surface-mount, stainless steel drain pan with removable, perforated insert

Configurable Options

- 2, 3, 4, 5, 6, or 8 faucets
- Mirror or polished brass finish
- Air cooled for direct-draw system or glycol cooled for recirculating system
- Numerous ceramic color finishes; consult factory for details
- Rinser faucet extension to the left or right of the drain pan; specify RFE option

Specifications

Materials

- Miscellaneous ceramic, stainless steel, and brass parts in dispensing tower
- 20 gauge stainless steel parts include drain pan and perforated inserts

Shank Sizes

- 1/4" I.D. with 3/16" fitting

Drains

- 1/2" tailpiece on drain pan

Rinser Faucet (optional)

- Accepts 3/8" cold water lead
- 30 psi water pressure regulator included
- 1.2 gallons per minute

Optional Rinser Faucet

Installation Notes

- Unit does not provide a 1" air gap
- Must be installed with external backflow prevention to meet applicable federal, state, and local plumbing code requirements.
- Install in-line water pressure regulator (included)
- A separate shut-off valve is recommended (not included)

03012383
Rinser Faucet Assembly



Intertek

4004503
Conforms to NSF/ANSI STD 372



Optional Rinser Faucet Extension

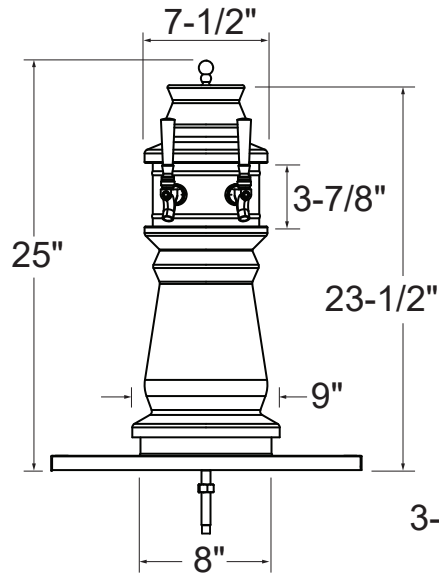
Cleaning & care instructions: <https://www.glastender.com/support/documents/manuals/general-cleaning-and-care-instructions-for-stainless-steel>

Glastender, Inc. • 5400 N Michigan Rd • Saginaw, MI • 48604-9780 989.752.4275 • 800.748.0423 • Fax 989.752.4444 www.glastender.com	Approval/Notes:
Specifications subject to change without notice. For current specifications please visit our website.	

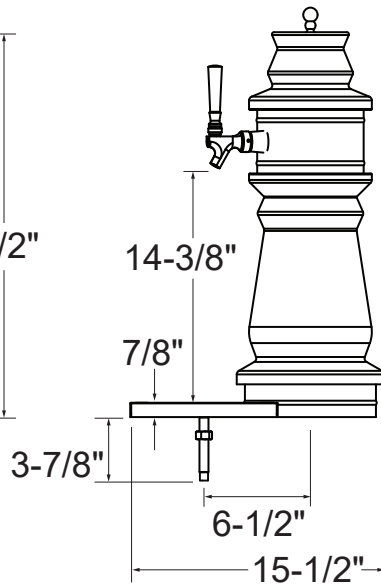
Vienna Towers

Drawings

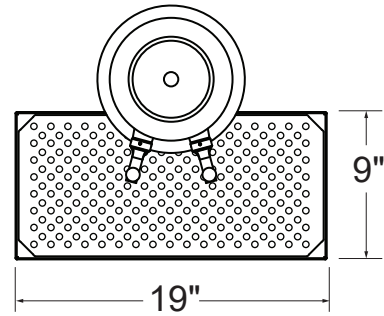
FRONT ELEVATION



SIDE ELEVATION

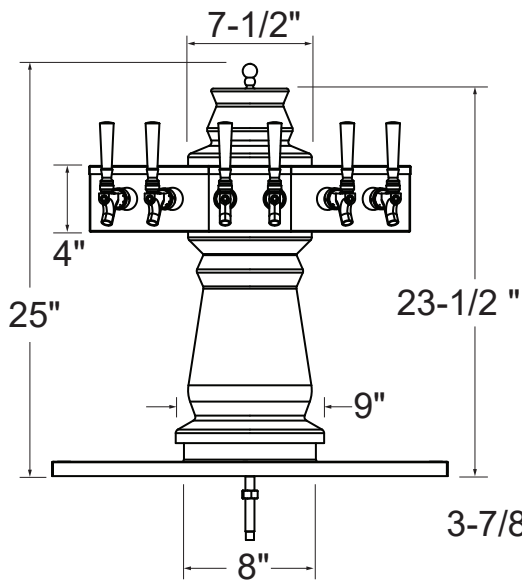


PLAN VIEW

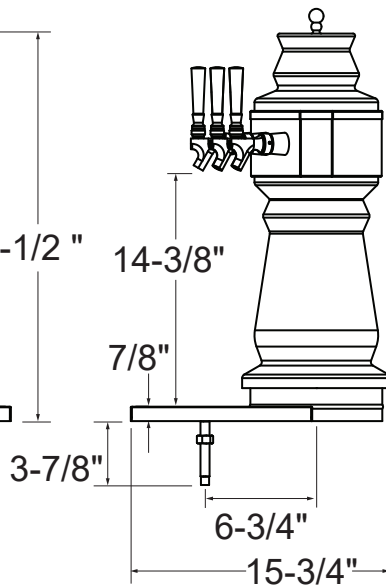


2, 3, and 4 FAUCETS
VNA-2-MF SHOWN

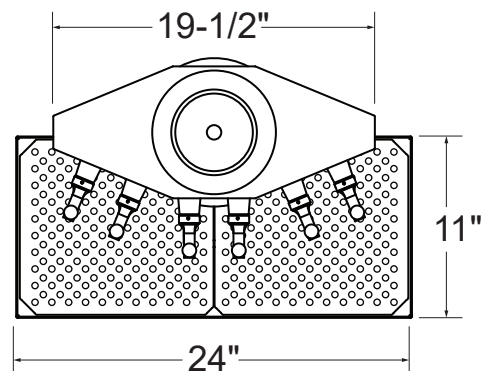
FRONT ELEVATION



SIDE ELEVATION



PLAN VIEW



5, 6, and 8 FAUCETS
VNA-6-MF SHOWN