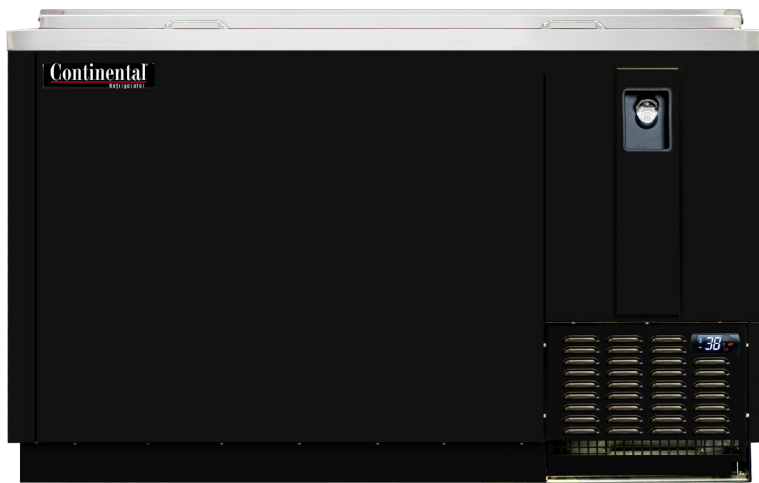


# BOTTLE COOLER (38°F - 41°F)

**Model: BC64N**

64" Bottle Cooler

Textured baked black enamel finish exterior with all stainless steel countertop and slide lids, heavy duty galvanized interior.



## Options and Accessories

(upcharge and lead times may apply)

Stainless steel interior	Casters
Additional wire bin dividers	Adjustable legs
Lid locks	

Consult factory for other model configurations, options and accessories.

**Continental**  
Refrigerator



Project Name:

Model Specified:

Location:

Item No:

Quantity:

AIA #:

SIS #:

## Standard Model Features

### REFRIGERATION SYSTEM

Environmentally safe R-290 refrigerant

Performance rated refrigeration system

Automatic, hot gas condensate evaporator

Full length, extra large coil

Expansion valve system

Easily accessible and serviceable slide out condensing unit

### CABINET ARCHITECTURE

High density, non-CFC polyurethane foamed-in-place insulation

Heavy duty, epoxy coated, adjustable steel wire storage bin dividers

Front, rear and side venting louvers

### MODEL FEATURES

Heavy duty cap opener with extra capacity, removable cap catcher

Easily accessible, front mounted cleanout drainage hose

Electronic controller with digital display

APPROVAL:

# Model Specifications

## DIMENSIONAL DATA

Net Capacity (cubic feet)	20.3 (575 l)
12 oz. Bottle Capacity (# cases)	22.5
12 oz. Can Capacity (# cases)	37
Width, Overall (inches)	64 (1626 mm)
Depth, Overall (inches) (including bumpers & cap catcher)	29 1/8 (740 mm)
Height, Overall (inches)	33 1/2 (851 mm)
Number of Slide Lids	2
Number of Bin Dividers	4

## REFRIGERANT DATA

Condensing Unit Size (H.P.)	1/4
R-290 Refrigerant Charge (oz)	3.9
Capacity (BTU per hour)*	1740

## ELECTRICAL DATA

Voltage (International)	115/60/1 (220/50/1)
Feed Wires (including ground)	3
Total Amps (International)	3.9 (1.9)
10 ft. Cord/Plug [attached] (International)	Yes (No)

## SHIPPING DATA

Weight - (pounds)	375 (185 kg)
Height - Crated (inches)	39 (991 mm)
Width - Crated (inches)	71 3/4 (1822 mm)
Depth - Crated (inches)	30 1/4 (768 mm)

\* Rating @ +20°F evaporator, 90°F ambient  
Figures in parentheses reflect metric equivalents rounded to the nearest whole unit.



Equipped with one NEMA-5-15P Plug  
(varies by country)

**Continental**  
Refrigerator

Toll-Free: 800-523-7138  
Phone: 215-244-1400  
Fax: 215-244-9579

539 Dunksferry Road  
Bensalem, PA 19020  
[www.continentalrefrigerator.com](http://www.continentalrefrigerator.com)

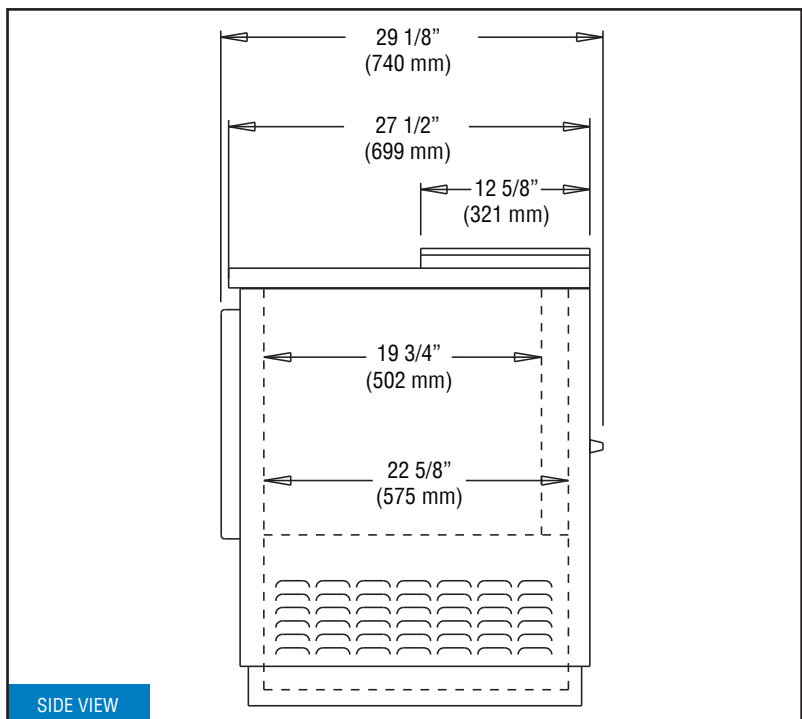
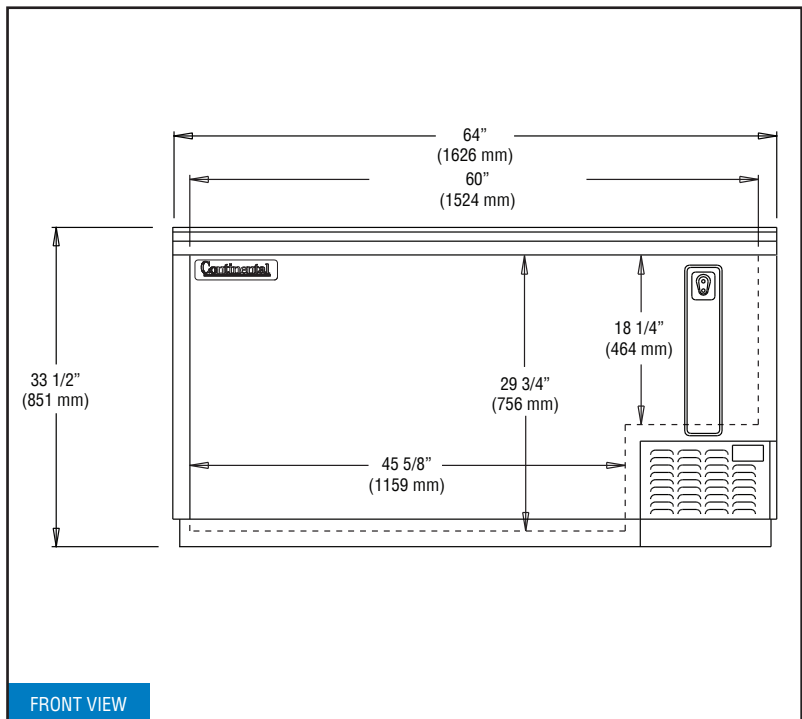
Due to our continued efforts in developing innovative products, specifications subject to change without notice.



PROUDLY  
DESIGNED & ASSEMBLED  
IN THE U.S.A.

© Copyright 2021. Continental Refrigerator.  
A Division of National Refrigeration & Air Conditioning Products, Inc.

# Model Plan Views



**IMPORTANT NOTE:** A minimum clearance of 3" is required on each side, front and rear of cabinet for optimum performance.

REVISED: 1/14/26