

RCP-100 - RCP-600 REFRIGERATED COLD PANS

RCP-100 - RCP-600 REFRIGERATED COLD PANS



RCP-300

Wells Refrigerated Cold Pans are self-contained units designed to hold pre-chilled products at serving temperature in a standard 12" x 20" pan. Each pan is thermostatically controlled and has a one-inch drain providing flexibility and convenience.

Specifications

Overall Dimensions:	Inches	MM
Width		
RCP-100	17 3/8	441
RCP-200	31	787
RCP-300	44 3/4	1137
RCP-400	58 1/2	1486
RCP-500	72 1/4	1835
RCP-600	86	2184
Depth	25 3/8	645
Height	23	584
Weights:	Lbs.	KG
RCP-100 series:		
Installed	84	38
Shipping	89	40
RCP-200 series:		
Installed	176	80
Shipping	182	83
RCP-300 series:		
Installed	187	85
Shipping	194	88
RCP-400 series:		
Installed	250	113
Shipping	258	117
RCP-500 series:		
Installed	269	122
Shipping	278	126
RCP-600 series:		
Installed	240	109
Shipping	340	154

Features

- **Drop-in, refrigerated cold pans** are designed to hold pre-chilled products at serving temperature.
- **Each pan has a large 1-inch drain** located in the center for easy cleaning.
- **Self-contained unit** comes with an ON/OFF switch and cordset for easy installation.
- **Air-cooled condensing unit** has HFC-134a refrigerant, which is CFC free.
- **Fully insulated cold pans** are refrigerated on both bottom and sides for greater efficiency.
- **Recessed top edge** lowers inset pan, keeping food colder and fresher.
- **Each unit's interior and top is heavy gauge (18 gauge) stainless steel** for maximum strength and durability.
- **Optional perforated bottom strainer plate** conveniently holds ice above drain to avoid clogging.
- **NSF approved** for holding bottled products and non-potentially hazardous foods.
- The RCP series refrigerated cold pans are **Underwriters Laboratories, Inc. LISTED** and meet NSF International standards.
- **A warranty** against defects covers parts for one year and labor for 90 days. An extended one-year labor and five-year compressor warranty is available at extra charge.

Accessories / Options

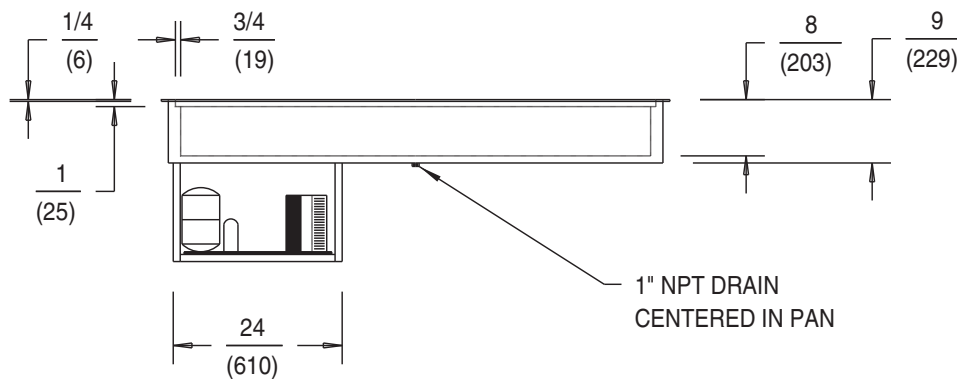
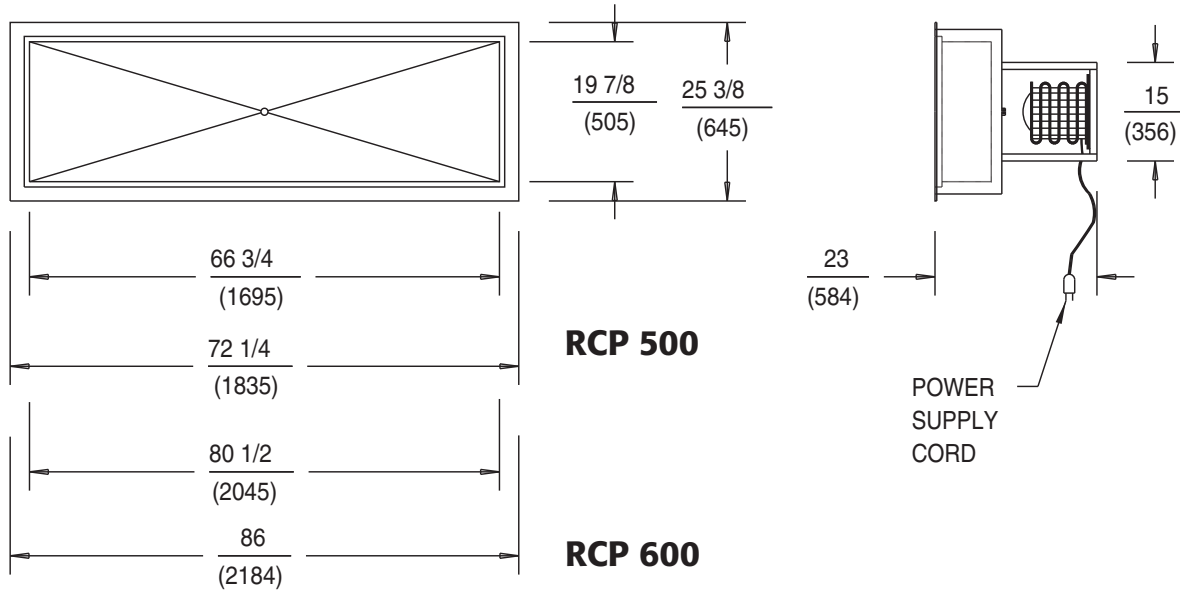
- **Perforated Bottom Strainer Plate**, available for all models, contact factory
- **Extended Warranty/Labor**, one (1) year, WEL1
- **Extended Warranty/Labor**, five (5) years, WEL5





MODELS RCP-500, RCP-600 REFRIGERATED COLD PANS

DIMENSIONS: $\frac{\text{INCH}}{\text{(MM)}}$



RCP-500, RCP-600 ELECTRICAL SPECIFICATIONS:

MODELS	VOLTS	WATTS	HP	AMPS	PHASE	POWER SUPPLY CORD
RCP-500	115	805	1/2	7.0	SINGLE	SUPPLIED
RCP-600	115	805	1/2	7.0	SINGLE	SUPPLIED

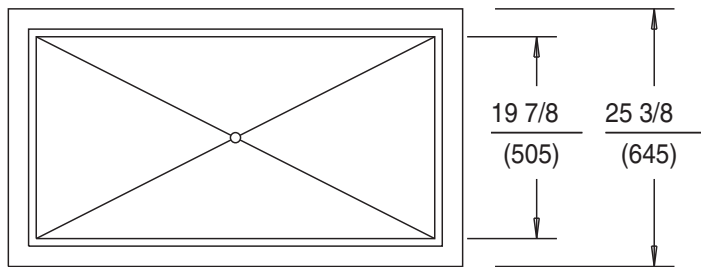
NOTE: Specifications are subject to change without notice. See installation instructions prior to installing the unit. This document is not for installation purposes.



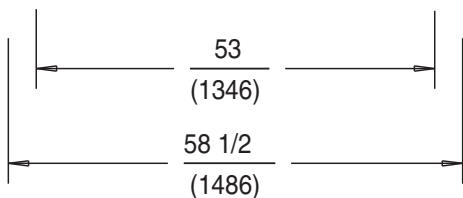
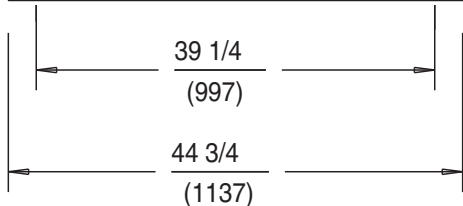


**MODELS
RCP-300, RCP-400
REFRIGERATED COLD PANS**

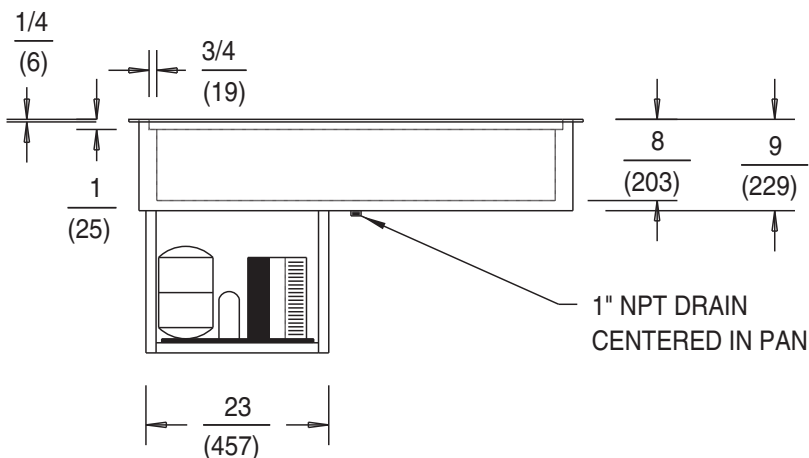
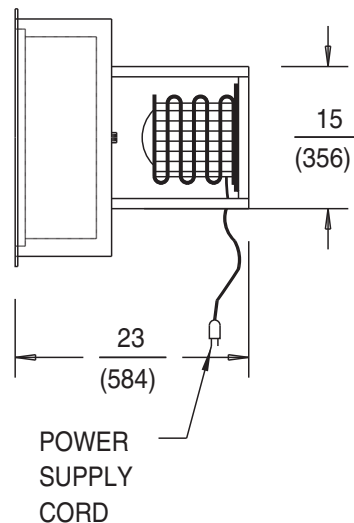
DIMENSIONS: INCH
 (MM)



RCP 300



RCP 400



RCP-300, RCP-400 ELECTRICAL SPECIFICATIONS:

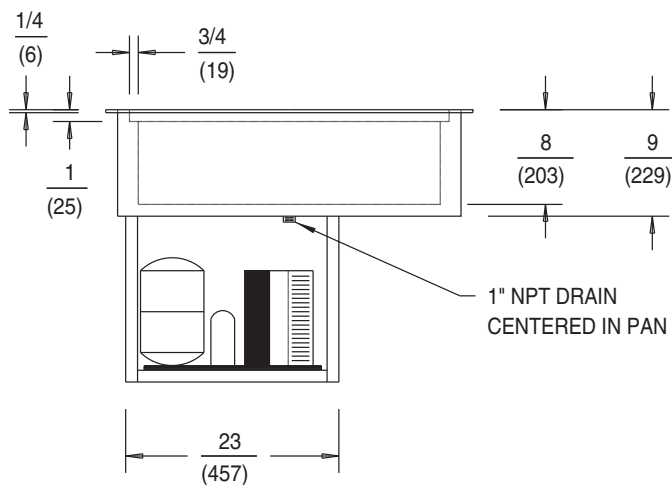
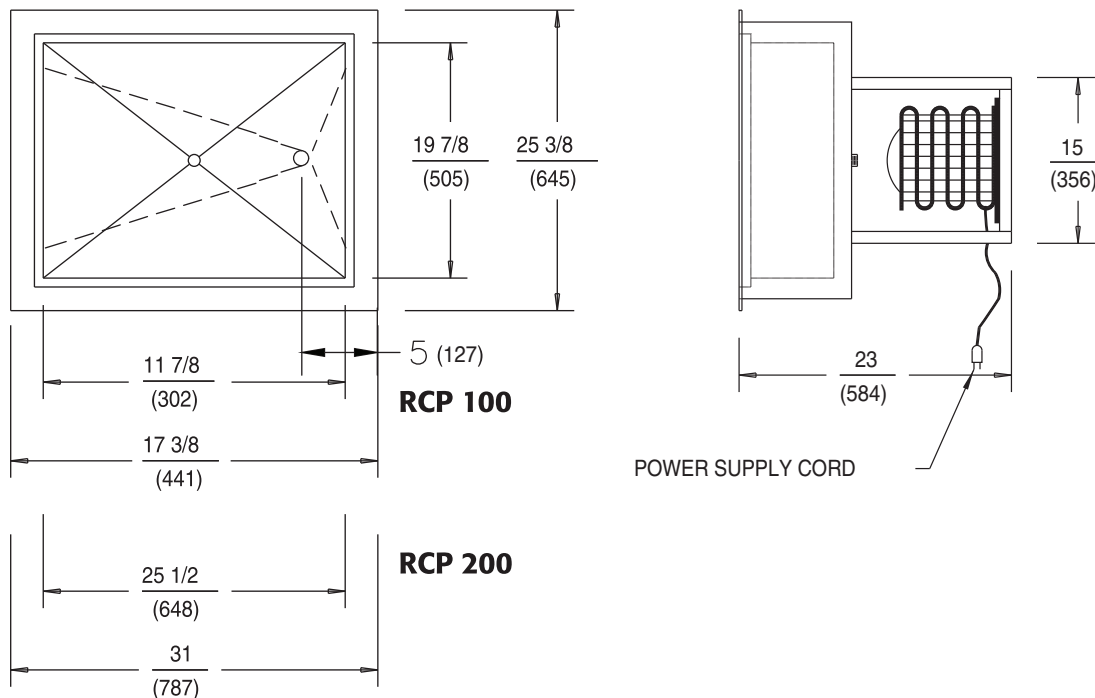
MODELS	VOLTS	WATTS	HP	AMPS	PHASE	POWER SUPPLY CORD
RCP-300	115	805	1/4	7.0	SINGLE	SUPPLIED
RCP-400	115	805	1/3	7.0	SINGLE	SUPPLIED

Specifications are subject to change without notice. See installation instructions prior to installing the unit. This document is not for installation purposes.



**MODELS
RCP-100, RCP-200
REFRIGERATED COLD PANS**

DIMENSIONS: $\frac{\text{INCH}}{\text{(MM)}}$



RCP-100, RCP-200 ELECTRICAL SPECIFICATIONS:

MODELS	VOLTS	WATTS	HP	AMPS	PHASE	POWER SUPPLY CORD
RCP-100	115	460	1/4	5.5	SINGLE	SUPPLIED
RCP-200	115	460	1/4	5.5	SINGLE	SUPPLIED

NOTE: Specifications are subject to change without notice. See installation instructions prior to installing the unit. This document is not for installation purposes.