



A family company manufacturing in the USA

www.glastender.com

Project: _____	AIA# _____
Item #: _____ Qty: _____	SIS# _____
Model #: _____	

## Portable Bar for Glassware

PBG66-12, PBG66-18, PBG72-12,  
PBG72-18, PBG78-12, PBG78-18



PBG72-12



Intertek

4004503

Conforms to ANSI/NSF STD 2

### Standard Features

- Weather resistant stainless steel construction.
- Glass storage pan with perforated insert
- Rack slides for storing three 20" by 20" glass racks
- Stainless steel bottle rail with PVC plastic sound deadening cover. Rails include a clear snap-on liquor identification label cover.
- Cocktail ice bin with sliding cover and garnish cup area. Rear garnish area has hinged stainless steel sanitary cover with three (12") or four (18") cups.
- Iced beverage storage bin with separate drain to prevent contamination of ice used to make cocktails. Drain includes flexible hose and on/off valve for draining when convenient.
- Eco friendly foamed-in-place insulation has zero impact on global warming or ozone depletion and a PVC plastic breaker strip around ice bin liners prevent thermal transfer from outside the ice bin so ice lasts longer.
- 6-gallon plastic drain tank with on-off valve to collect melting ice water from cocktail bin.
- Six 4" heavy-duty rubberized casters. The two bartender side corner casters are locking.
- Stainless steel front and side panels are welded to the 16-gauge stainless steel base for incredible durability.
- Stainless steel bar top and front and side panels have a plastic honey comb core for durability and sound deadening.
- Stylish feathered jewel finish on bar top hides scratches.

### Specifications

#### Work Surface

- Removable perforated insert. No drain.

#### Glass Rack Storage

- Rack slides for storage of three 20" x 20" glass racks below work surface
- 8-1/4" clearance height

#### Cocktail Bin Liner

- 12" model: 10"w by 15"d by 10-1/2"h, 33 lbs ice capacity
- 18" model: 16"w by 15"d by 10-1/2"h, 50 lbs ice capacity

#### Plastic Drain Tank

- Collects waste water from cocktail bin. An air gap prevents back up into ice bin.
- Includes on/off drain valve
- Slides out for draining

#### Garnish Area

- 12" cocktail bin: 3 cups
- 18" cocktail bin: 4 cups

#### Casters

- Six 4" heavy-duty rubberized casters
- The two bartender side corner casters are locking

#### Iced Beverage Bin Liner

- PBG66-12 model: 22"w by 15"d by 10-1/2"h
- PBG66-18 model: 16"w by 15"d by 10-1/2"h
- PBG72-12 model: 28"w by 15"d by 10-1/2"h
- PBG72-18 model: 22"w by 15"d by 10-1/2"h
- PBG78-12 model: 34"w by 15"d by 10-1/2"h
- PBG78-18 model: 28"w by 15"d by 10-1/2"h

#### Materials

- 20 gauge stainless steel parts include: all components except as listed below.
- 18 gauge stainless steel parts include: bar top and bar top belly pan.
- 16 gauge stainless steel parts include: base and base stiffener channels.
- 14 gauge stainless steel parts include: drain tank mounting angle and bar top mounting angles.
- PVC plastic parts include: breaker strip around ice bin liners and speed rail step and rail covers.

Underbar installation instructions: <https://www.glastender.com/support/documents/manuals/underbar-installation-instructions>

Cleaning & care instructions: <https://www.glastender.com/support/documents/manuals/general-cleaning-and-care-instructions-for-stainless-steel>

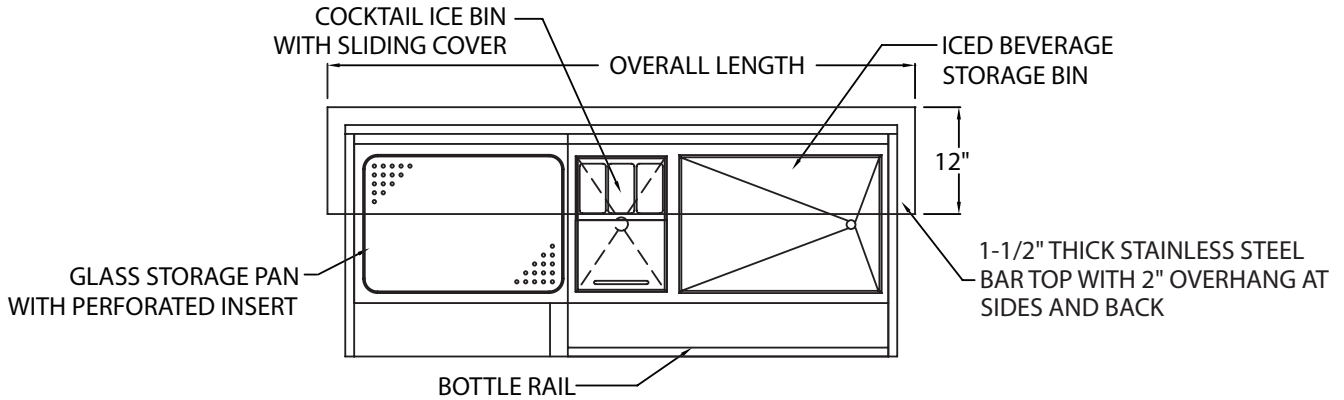
Glastender, Inc. • 5400 N Michigan Rd • Saginaw, MI • 48604-9780  
989.752.4275 • 800.748.0423 • Fax 989.752.4444  
www.glastender.com

Approval/Notes:

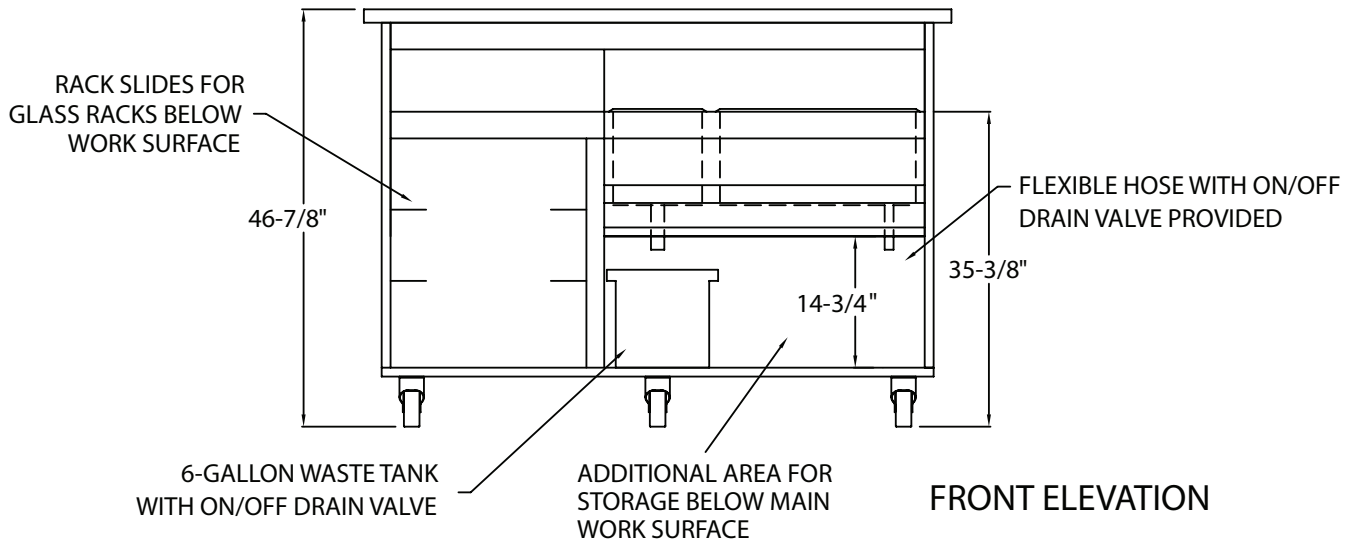
Specifications subject to change without notice. For current specifications please visit our website.

# Portable Bar for Glassware

## Dimensional Information



PLAN VIEW



FRONT ELEVATION

	COCKTAIL ICE BIN	BEVERAGE BIN	OVERALL LENGTH
PBG66-12	12"	24"	66"
PBG66-18	18"	18"	66"
PBG72-12	12"	30"	72"
PBG72-18	18"	24"	72"
PBG78-12	12"	36"	78"
PBG78-18	18"	30"	78"

RIGHT SIDE ELEVATION

