

- **HMBC2** 27"L x 33-3/4"D x 56-1/2"H
- **HMBC3** 39"L x 33-3/4"D x 56-1/2"H
- **HMBC4** 51"L x 33-3/4"D x 56-1/2"H
- **HMBC5** 63"L x 33-3/4"D x 56-1/2"H
- **HMBC6** 75-3/8"L x 33-3/4"D x 56-1/2"H

Included

- Breeze self-contained refrigeration
- Clear glass shelf, lighted (LED 3500K) in upper display
- Condensate pan (self-contained refig. only)
- Convertible baffle in upper display
- Curved double pane, lift-up front glass w/o lock
- Cutaway end panel
- Flat front panel
- LED 3500K top & shelf lights
- One year parts & labor; 5 year compressor warranty
- Rear sliding doors (26" model swinging)
- Warmest average product temperature of 40°F or less



HMBC4

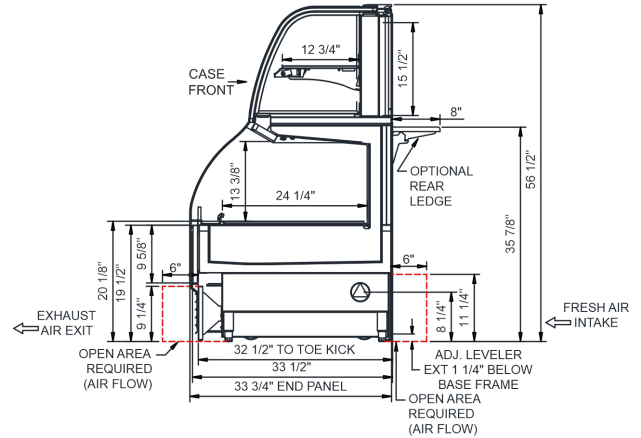
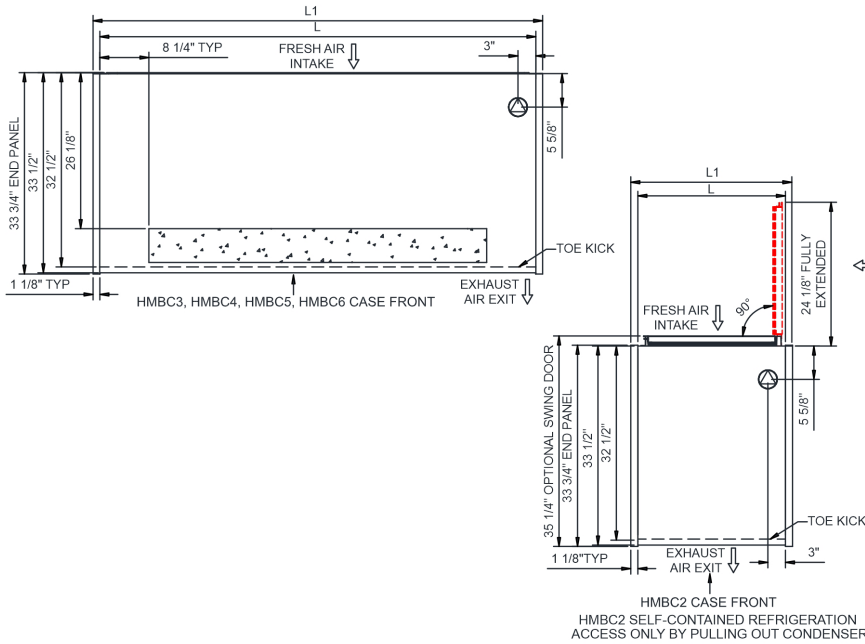
Specify	Standard Features	Additional Options
EXTERIOR COLOR	• Laminate (stock colors)	• Laminate (non-stock colors) • Powder coated (stock/non-stock colors) • Powder coated Silversan Black • Stainless steel
INTERIOR COLOR	• Powder coated Silversan Black	• Powder coated Designer White • Stainless steel
REAR EXTERIOR COLOR	• Powder coated Designer White	• Powder coated Silversan Black • Stainless steel (must choose stainless exterior)
BASE SUPPORT	• Levelers	• 6"H legs (self-cont.) • Casters (self-cont.)
LOWER REAR DOORS	• None (solid back panel)	• Solid rear sliding doors w/o lock (HMBC2 swinging) ¹ • Solid rear swinging door(s) w/o lock
UPPER REAR DOORS	• Clear glass rear sliding doors w/o lock (HMBC2 swinging)	² • Clear glass rear swinging doors w/o lock • Reflective glass rear sliding doors w/o lock (HMBC2 swinging) ³ • Reflective glass rear swinging doors w/o lock
PRICE TAG MOLDING	• None	• 1" Price tag molding (matches interior color)
ELECTRICAL CONNECTION	• 6' Straight blade power cord (self-cont.)	• 6' Locking power cord (self-cont.) • Electrical leads (remote)
REFRIGERATION	• Breeze self-contained refrigeration	⁴ • Remote w/thermostat, solenoid & TXV
MISCELLANEOUS		• Additional shelf for upper display, lighted (LED) • Lower rear door lock • Second year parts & labor warranty (excludes compressor) • Upper rear door lock
ACCESSORIES		• 2"H Full depth display riser(s) for lower display • 4"H Full depth display riser(s) for lower display • Bottle slide, gravity feed • Clean Sweep® coil cleaner (self-cont.) • Night curtain, retractable, non-locking • Rear wrapping board (n/a w/lower rear doors) • Removable wire security cover, locking (for lower display, secures upper/lower)

Option Notes: 1 - HMBC2;
2 - HMBC2;
3 - HMBC2;
4 - Read important notes for remote options

Intended Environment: Type I - Designed to operate in ambient conditions of 75°F with 55% relative humidity unless noted otherwise in system information below.		
Zone	Intended Product To Be Displayed	Warmest Avg Prod Temp ° F
1	Packaged refrigerated products-Prechilled to Warmest Avg Prod Temp.	40

PLAN VIEW

SIDE VIEW



NOTE: ALL DIMENSIONS APPROXIMATE

- ELECTRICAL JUNCTION BOX (SUPPLIED WITH 6" LEADS OR POWER CORD).
- LOCATION OF DRAIN TUBE FOR REMOTE REF. ONLY (SUPPLIED WITH 3/4" OR 1 1/2" PVC TUBE).

- REFRIGERATION LINE CONNECTION.
- REMOTE FLOOR SINK & UTILITIES ACCESS AREA.

- SELF-CONTAINED CASE SERVICE ACCESS AREA.
- DRY CASE SERVICE ACCESS AREA.

Model Technical Specifications																
Model	L"	L1"	L2"	System Circuit Volts		Phs	Freq	Amps ***	Watts	Wires	NEMA Plug	SST	Conv. Rack BTU/H	Para. Rack BTU/H	Est Wt	
				Remote (DX)	Self-Contained (R290)											
HMBC2	24.75	27.00	.00	Remote (DX)	Circuit #1	110-120	1	60	1.66	163	2+G	Leads Multiple	20.00	2506	2320	650
				Self-Contained (R290)	Circuit #1	110-120	1	60	15.17	1,607	2+G	5-20P or L5-20P	N/A	N/A	N/A	
HMBC3	36.75	39.00	.00	Remote (DX)	Circuit #1	110-120	1	60	1.38	138	2+G	Leads Multiple	20.00	4104	3800	900
				Self-Contained (R290)	Circuit #1	110-120	1	60	15.29	1,622	2+G	5-20P or L5-20P	N/A	N/A	N/A	
HMBC4	48.75	51.00	.00	Remote (DX)	Circuit #1	110-120	1	60	2.69	194	2+G	Leads Multiple	20.00	5270	4880	950
				Self-Contained (R290)	Circuit #1	208-240	1	60	14.14	2,899	3+G	6-20P or L6-20P	N/A	N/A	N/A	
HMBC5	60.75	63.00	.00	Remote (DX)	Circuit #1	110-120	1	60	2.93	152	2+G	Leads Multiple	20.00	6307	5840	1,100
				Self-Contained (R290)	Circuit #1	208-240	1	60	14.18	2,909	3+G	6-20P or L6-20P	N/A	N/A	N/A	
HMBC6	73.13	75.38	.00	Remote (DX)	Circuit #1	110-120	1	60	3.05	262	2+G	Leads Multiple	20.00	6912	6400	1,200
				Self-Contained (R290)	Circuit #1	208-240	1	60	14.23	2,919	3+G	6-20P or L6-20P	N/A	N/A	N/A	

*** Does not include electric defrost on freezer models.

Regulatory Approvals:	
All Models	Accordance with AHRI Std 1200 ETL Listed to UL 471 ETL Listed to CAN/CSA 22.2 No. 120 ETL Sanitation to NSF/ANSI 7



In Accordance with
AHRI Std 1200

DOE 2017
Energy Efficiency
Compliant

Important Notes:

- 1) REMOTE REFRIGERATION NOTE: Condensing unit not included, floor drain required.
- 2) ELECTRICAL NOTE: If GFCI is required, a GFCI breaker MUST be used in lieu of a GFCI receptacle
- 3) 35" Minimum door entry clearance required (without shipping skid).
- 4) Units are supplied with levelers which must be adjusted during installation to ensure the unit is level and plumb.
- 5) Compressor air rear intake, front discharge. Toe kick cannot be blocked

⚠ WARNING: This product can expose you to chemicals, including Urethane (Ethyl Carbamate), which are known to the State of California to cause cancer and birth defects or other reproductive harm. For more information go to www.P65Warnings.ca.gov.