



A family company manufacturing in the USA

www.glastender.com



DBHA-18-LD



Intertek

4004503

Conforms to ANSI/NSF STD 2

Project: _____	AIA# _____
Item #: _____ Qty: _____	SIS# _____
Model #: _____	

Drainboard Half Cabinets

DBH	DBHA-12, DBHA-18, DBHA-24, DBHA-12-LD, DBHA-18-LD, DBHA-24-LD
------------	--

Standard Features

- All stainless steel construction
- Adjustable stainless steel bullet feet
- One-piece, seamless top and backsplash featuring 1/4" radius corners
- Door features integral handle
- Lock standard on models with a door
- Work surface consists of a drainboard top with drain pan and separate perforated insert for better air circulation
- Floor is still removable after unit is plumbed
- Plumbing connection is made underneath the unit and does not interfere with shelf
- All storage is on a level plane

Configurable Options

- Available without door, specify LD model number

Specifications

Drain

- 1/2" welded tailpiece. Clear vinyl drain line is connected to the tailpiece at the factory. A 1/2" by 1/2" barbed plastic elbow is provided to make the connection at the bottom of the unit.

Legs

- 1-5/8" diameter, 16 gauge stainless steel
- Stainless steel bullet feet

Materials

- 20 gauge stainless steel
- 18 gauge stainless steel parts include: leg pads

To view underbar installation instructions: <https://www.glastender.com/support/documents/manuals/underbar-installation-instructions>

Cleaning & care instructions: <https://www.glastender.com/support/documents/manuals/general-cleaning-and-care-instructions-for-stainless-steel>

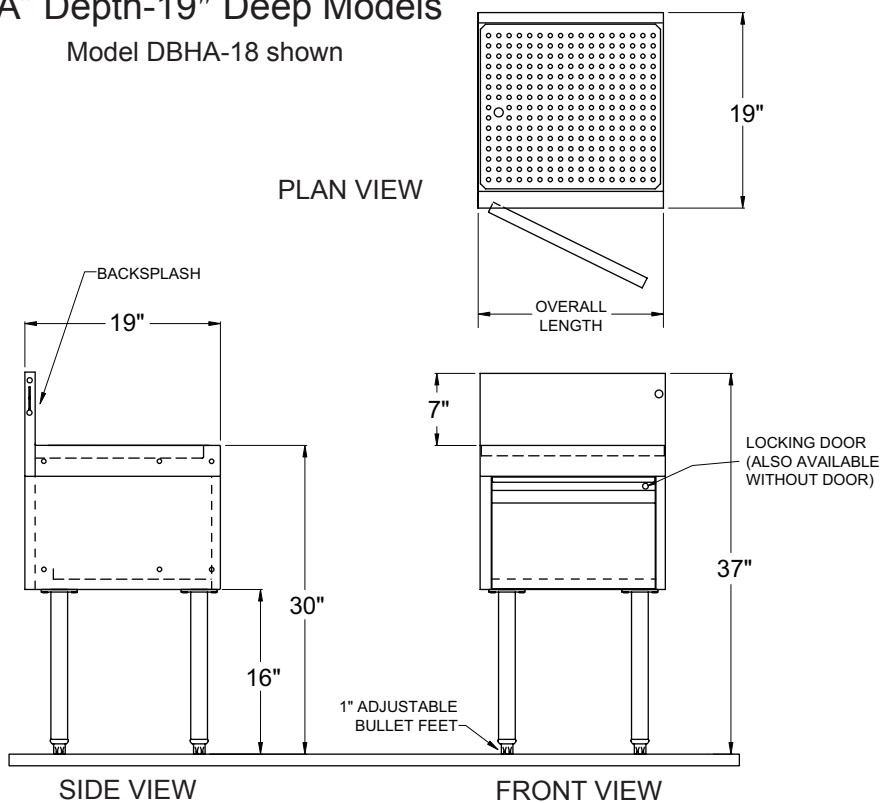
Glastender, Inc. • 5400 N Michigan Rd • Saginaw, MI • 48604-9780 989.752.4275 • 800.748.0423 • Fax 989.752.4444 www.glastender.com	Approval/Notes:
<small>Specifications subject to change without notice. For current specifications please visit our website.</small>	

Drainboard Half Cabinets

Drawings

"A" Depth-19" Deep Models

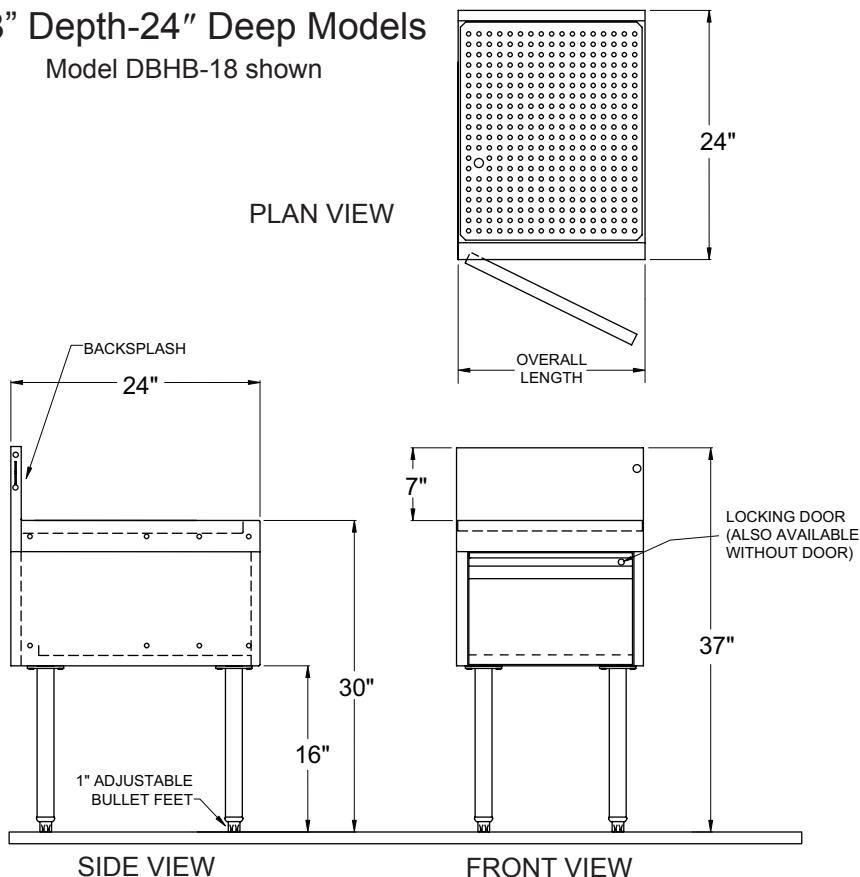
Model DBHA-18 shown



Model Number	Overall Length	Door
DBHA-12	12"	Yes
DBHA-18	18"	Yes
DBHA-24	24"	Yes
DBHA-12-LD	12"	No
DBHA-18-LD	18"	No
DBHA-24-LD	24"	No

"B" Depth-24" Deep Models

Model DBHB-18 shown



Model Number	Overall Length	Door
DBHB-12	12"	Yes
DBHB-18	18"	Yes
DBHB-24	24"	Yes
DBHB-12-LD	12"	No
DBHB-18-LD	18"	No
DBHB-24-LD	24"	No