

FISHER[®]

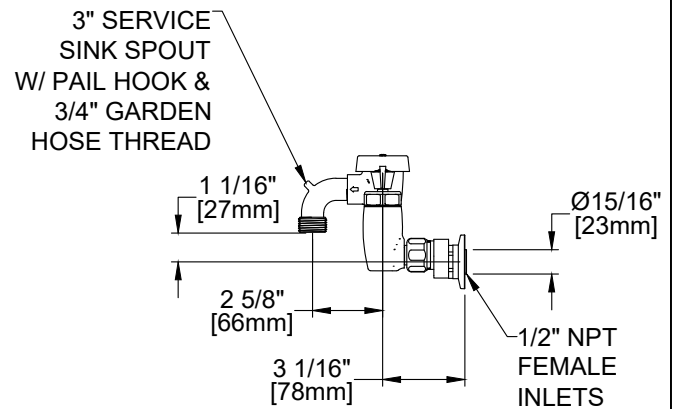
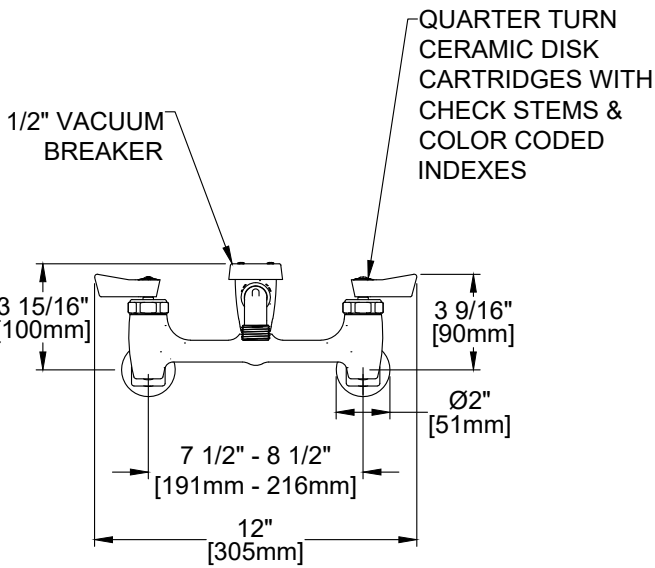
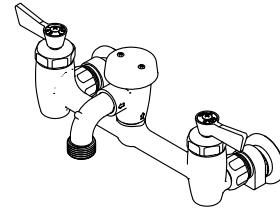
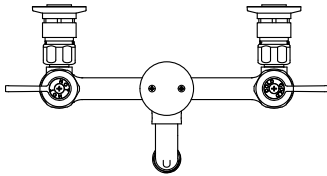
FISHER MANUFACTURING COMPANY TOLL FREE: 800-421-6162 - FAX: 800-832-8238
customer@fisherfaucets.com - www.fisherfaucets.com

PRODUCT NAME:

FAUCET 8AWCDLH 03SRV

SPEC. FACB-SSS-8AWLL

Customer/Wholesaler:	Date:	Job Name:	Model Specified: 24450	Quantity:
Contractor:	Architect/Engineer:			

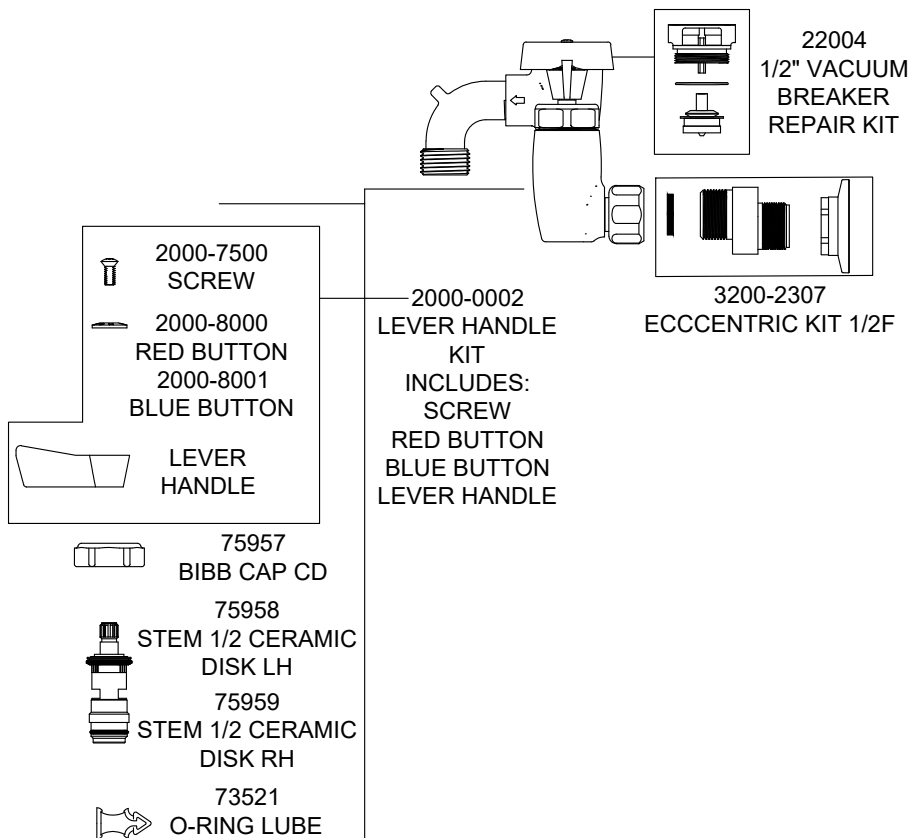


PRODUCT SPECIFICATIONS: 8" ADJUSTABLE WALL FAUCET, QUARTER TURN CERAMIC DISK CARTRIDGES W/ CHECK STEMS, LEVER HANDLES, 3" SERVICE SINK SPOUT W/ VACUUM BREAKER 11.5 GPM @ 60 PSI, 1/2" NPT FEMALE INLETS

PRODUCT COMPLIANCE:
ASME A112.18.1 / CSA B125.1
NSF 61 - Section 9
NSF 372 (Low Lead Content)

Customer/Wholesaler:	Date:	Job Name:	Model Specified: 24450	Quantity:
Contractor:		Architect/Engineer:		

REPLACEMENT PARTS



PRODUCT SPECIFICATIONS: 8" ADJUSTABLE WALL FAUCET, QUARTER TURN CERAMIC DISK CARTRIDGES W/ CHECK STEMS, LEVER HANDLES, 3" SERVICE SINK SPOUT W/ VACUUM BREAKER 11.5 GPM @ 60 PSI, 1/2" NPT FEMALE INLETS

PRODUCT COMPLIANCE:
 ASME A112.18.1 / CSA B125.1
 NSF 61 - Section 9
 NSF 372 (Low Lead Content)