



Item: _____

Quantity: _____

Project: _____

Radiant Broiler

Delux Series

Models: RDRB-24 RDRB-36 RDRB-48 RDRB-60 RDRB-72



RDRB-36

Gas Type: Natural LP

Elevation (if above 2000 ft.): _____

Standard Features

- Fully welded frame with lifetime warranty
- 1,200°F mineral wool insulation
- Easily removable and replaceable independent firebox assembly on broiler
- Full width, removable stainless steel crumb pan under the broiler for easy cleaning
- Heavy duty cast iron radiant covers
- 11" high- perfect height for refrigerated base
- Stainless steel sides, front valve cover and ledge
- Stainless steel tubular burners rated at 15,000 BTU/hr each
- Individually adjustable burners knobs every 6"
- Standing pilots for instant ignition
- Heavy duty cast iron top grates
- Stainless steel tubing for pilots
- 4" high adjustable heavy duty legs included

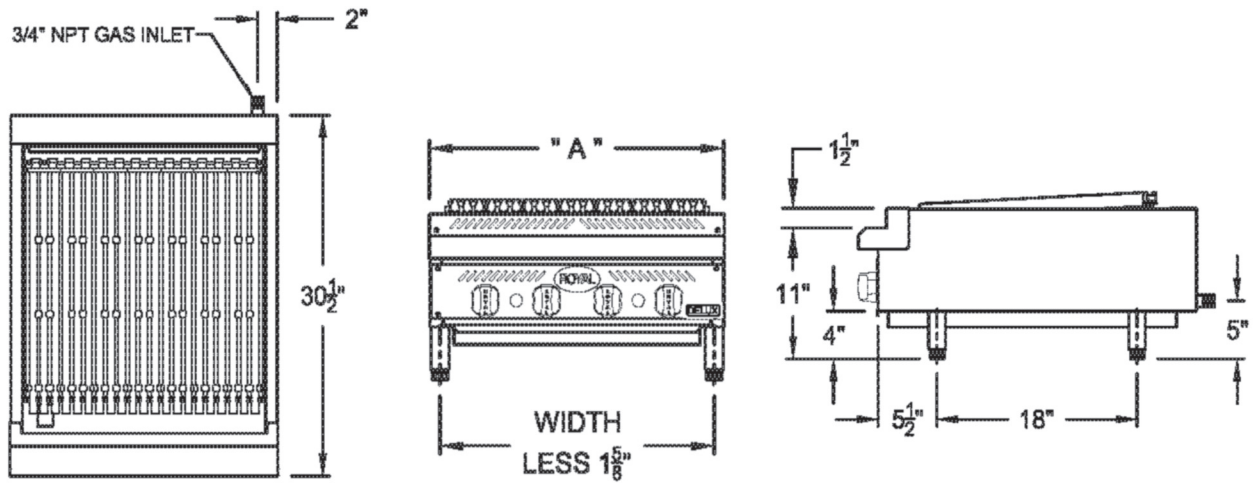
Options and Accessories

- Fish grate
 - Diamond grate
 - Stainless steel splash guard, up to 12" high, sides tapered to 4" in front
 - Add plate shelf with or without cutouts
 - Stainless Steel Equipment Stand
 - Knock Down All Welded
- Size**
- 12" 18" 24" 30" 36" 48" 60" 72"
 - 5" swivel casters (set of four - 2 locking)
 - 5" swivel casters (set of six - 3 locking) (60" and 72" models)



LIMITED WARRANTY, TWO YEAR PARTS AND ONE YEAR LABOR

Radiant Broiler



Model Number	Width (A)	Number of Burners	Total BTU	Ship Weight
RDRB-24	24"	4	60,000	300 lbs.
RDRB-36	36"	6	90,000	383 lbs.
RDRB-48	48"	8	120,000	460 lbs.
RDRB-60	60"	10	150,000	510 lbs.
RDRB-72	72"	12	180,000	670 lbs.

Notes:

- Each burner is rated at 30,000 BTU/hr

Gas Connection:

3/4" NPT on the right hand rear of the appliance.

The pressure regulator (supplied) is to be connected by the installer.

Specify type of gas and altitude, if over 2,000 feet, when ordering.

Gas Pressure:

5" W.C.	Natural Gas
10" W.C.	Propane

Clearances:

	Combustible	Non-Combustible
Rear	4"	0"
Sides	15"	0"

Due to continuing product development to ensure best possible performance, these specifications are subject to change without prior notification.

Royal Range of California
 3245 Corridor Dr. • Eastvale, CA 91752 • (800) 769-2414 • (951) 360-1600
 Fax: (951) 360-7500 • www.royalranges.com • sales@royalranges.com