



Profit from the Eagle Advantage®

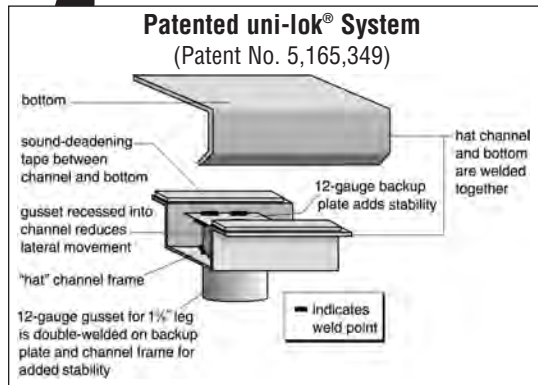
# Specification Sheet

## Short Form Specifications

Eagle Spec-Master® Marine Counter Edge Cabinets with Upturn, model \_\_\_\_\_. Top is 14/304 stainless steel, sides and back are heavy gauge stainless steel. Open front, stainless steel sliding doors, or stainless steel hinged doors. Marine counter edge on front and sides, 1½" upturn at rear. Constructed with uni-lok® patented gusset system, with the gussets recessed into channels, to reduce lateral movement. 1½" O.D. stainless steel tubular legs with adjustable stainless steel bullet feet.



cabinet with sliding doors



**EAGLE GROUP**  
100 Industrial Boulevard, Clayton, DE 19938-8903 USA  
Phone: 302-653-3000 • Fax: 302-653-2065  
www.eaglegrp.com

**Foodservice Division: Phone 800-441-8440**  
**MHC/Retail Display Divisions: Phone 800-637-5100**

For custom configuration or fabrication needs, contact our **SpecFAB® Division**.  
Phone: 302-653-3000 • Fax: 302-653-2065 • e-mail: quotes@eaglegrp.com

Spec sheets available for viewing, printing or downloading from our online literature library at [www.eaglegrp.com](http://www.eaglegrp.com)

Eagle Foodservice Equipment, Eagle MHC, SpecFAB®, and Retail Display are divisions of Eagle Group. ©2013 by the Eagle Group

Item No.: \_\_\_\_\_  
Project No.: \_\_\_\_\_  
S.I.S. No.: \_\_\_\_\_

## Spec-Master® Marine Counter Edge Cabinets with Upturn

### MODELS:

- |                                      |                                      |                                       |
|--------------------------------------|--------------------------------------|---------------------------------------|
| <input type="checkbox"/> UOB2436SEM  | <input type="checkbox"/> UCB2436SEM  | <input type="checkbox"/> UCBH2436SEM  |
| <input type="checkbox"/> UOB2448SEM  | <input type="checkbox"/> UCB2448SEM  | <input type="checkbox"/> UCBH2448SEM  |
| <input type="checkbox"/> UOB2460SEM  | <input type="checkbox"/> UCB2460SEM  | <input type="checkbox"/> UCBH2460SEM  |
| <input type="checkbox"/> UOB2472SEM  | <input type="checkbox"/> UCB2472SEM  | <input type="checkbox"/> UCBH2472SEM  |
| <input type="checkbox"/> UOB2484SEM  | <input type="checkbox"/> UCB2484SEM  | <input type="checkbox"/> UCBH2484SEM  |
| <input type="checkbox"/> UOB2496SEM  | <input type="checkbox"/> UCB2496SEM  | <input type="checkbox"/> UCBH2496SEM  |
| <input type="checkbox"/> UOB24120SEM | <input type="checkbox"/> UCB24120SEM | <input type="checkbox"/> UCBH24120SEM |
| <input type="checkbox"/> UOB3036SEM  | <input type="checkbox"/> UCB3036SEM  | <input type="checkbox"/> UCBH3036SEM  |
| <input type="checkbox"/> UOB3048SEM  | <input type="checkbox"/> UCB3048SEM  | <input type="checkbox"/> UCBH3048SEM  |
| <input type="checkbox"/> UOB3060SEM  | <input type="checkbox"/> UCB3060SEM  | <input type="checkbox"/> UCBH3060SEM  |
| <input type="checkbox"/> UOB3072SEM  | <input type="checkbox"/> UCB3072SEM  | <input type="checkbox"/> UCBH3072SEM  |
| <input type="checkbox"/> UOB3084SEM  | <input type="checkbox"/> UCB3084SEM  | <input type="checkbox"/> UCBH3084SEM  |
| <input type="checkbox"/> UOB3096SEM  | <input type="checkbox"/> UCB3096SEM  | <input type="checkbox"/> UCBH3096SEM  |
| <input type="checkbox"/> UOB30120SEM | <input type="checkbox"/> UCB30120SEM | <input type="checkbox"/> UCBH30120SEM |

### Tabletop

- 14 gauge type 304 stainless steel.
- Reinforced with full length "hat" channel support.
- Marine counter edge set in 1" (25mm), on front and sides, designed to retard spillage.
- 1½" (38mm) full-length upturn at rear.

### Cabinet

- Cabinet body is heavy gauge stainless steel.
- Available with open front, or with 20 gauge stainless steel sliding or hinged doors\*.
- Bottom panel features an offset designed to retard spillage.

### Legs

- uni-lok® leg/gusset channel assembly (patent #5,165,349).
- Adjustable stainless bullet feet—1" (25mm) adjustment.

### Options / Accessories

- Center shelf\*\*

\* Cabinets 84" (2134mm) and longer have two sets of sliding or hinged doors.

\*\* To order center shelf, add suffix "-CS". Example: UCB3036SEM-CS

Certifications / Approvals



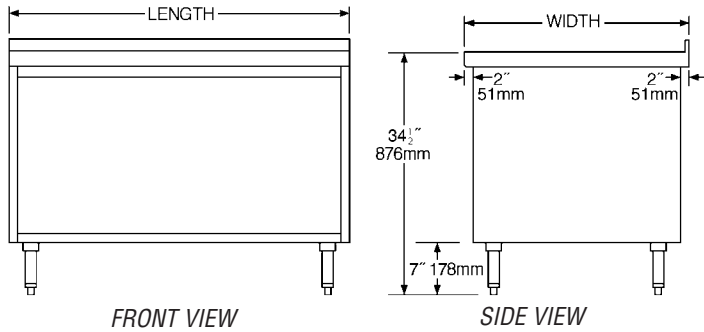
**AUTOQUOTES**





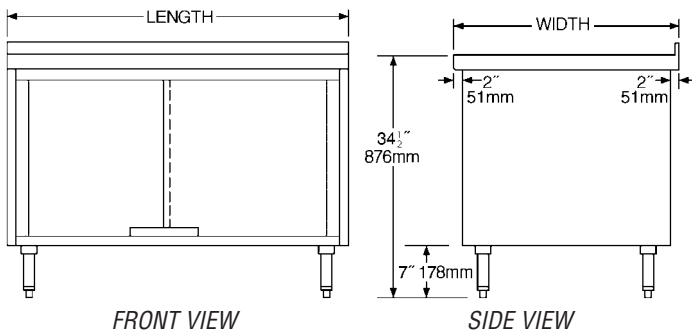
Item No.: \_\_\_\_\_  
 Project No.: \_\_\_\_\_  
 S.I.S. No.: \_\_\_\_\_

### Spec-Master® Marine Counter Edge Cabinets with Open Front



| model #     | # of legs | width in. mm | length in. mm | weight lbs. kg |
|-------------|-----------|--------------|---------------|----------------|
| UOB2436SEM  | 4         | 24" 610      | 36" 914       | 132 59.9       |
| UOB2448SEM  | 4         | 24" 610      | 48" 1219      | 160 72.6       |
| UOB2460SEM  | 4         | 24" 610      | 60" 1524      | 200 90.7       |
| UOB2472SEM  | 4         | 24" 610      | 72" 1829      | 240 108.9      |
| UOB2484SEM  | 6         | 24" 610      | 84" 2134      | 281 127.5      |
| UOB2496SEM  | 6         | 24" 610      | 96" 2438      | 322 146.1      |
| UOB24120SEM | 6         | 24" 610      | 120" 3048     | 366 166.0      |
| UOB3036SEM  | 4         | 30" 762      | 36" 914       | 136 61.7       |
| UOB3048SEM  | 4         | 30" 762      | 48" 1219      | 166 75.3       |
| UOB3060SEM  | 4         | 30" 762      | 60" 1524      | 199 90.3       |
| UOB3072SEM  | 4         | 30" 762      | 72" 1829      | 248 112.5      |
| UOB3084SEM  | 6         | 30" 762      | 84" 2134      | 294 133.4      |
| UOB3096SEM  | 6         | 30" 762      | 96" 2438      | 340 154.2      |
| UOB30120SEM | 6         | 30" 762      | 120" 3048     | 432 196.0      |

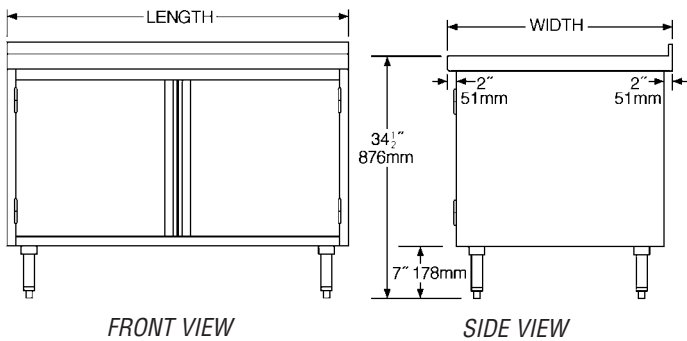
### Spec-Master® Marine Counter Edge Cabinets with Sliding Doors



| model #      | # of legs | width in. mm | length in. mm | weight lbs. kg |
|--------------|-----------|--------------|---------------|----------------|
| UCB2436SEM   | 4         | 24" 610      | 36" 914       | 138 62.6       |
| UCB2448SEM   | 4         | 24" 610      | 48" 1219      | 170 77.1       |
| UCB2460SEM   | 4         | 24" 610      | 60" 1524      | 212 96.2       |
| UCB2472SEM   | 4         | 24" 610      | 72" 1829      | 254 115.2      |
| UCB2484SEM*  | 6         | 24" 610      | 84" 2134      | 299 135.6      |
| UCB2496SEM*  | 6         | 24" 610      | 96" 2438      | 339 153.8      |
| UCB24120SEM* | 6         | 24" 610      | 120" 3048     | 384 174.2      |
| UCB3036SEM   | 4         | 30" 762      | 36" 914       | 142 64.4       |
| UCB3048SEM   | 4         | 30" 762      | 48" 1219      | 173 78.5       |
| UCB3060SEM   | 4         | 30" 762      | 60" 1524      | 219 99.3       |
| UCB3072SEM   | 4         | 30" 762      | 72" 1829      | 261 118.4      |
| UCB3084SEM*  | 6         | 30" 762      | 84" 2134      | 312 141.5      |
| UCB3096SEM*  | 6         | 30" 762      | 96" 2438      | 350 158.8      |
| UCB30120SEM* | 6         | 30" 762      | 120" 3048     | 450 204.1      |

\* Note: Worktables 84" (2134mm) and longer have two sets of doors.

### Spec-Master® Marine Counter Edge Cabinets with Hinged Doors



| model #       | # of legs | width in. mm | length in. mm | weight lbs. kg |
|---------------|-----------|--------------|---------------|----------------|
| UCBH2436SEM   | 4         | 24" 610      | 36" 914       | 138 62.6       |
| UCBH2448SEM   | 4         | 24" 610      | 48" 1219      | 170 77.1       |
| UCBH2460SEM   | 4         | 24" 610      | 60" 1524      | 212 96.2       |
| UCBH2472SEM   | 6         | 24" 610      | 72" 1829      | 254 115.2      |
| UCBH2484SEM*  | 6         | 24" 610      | 84" 2134      | 299 135.6      |
| UCBH2496SEM*  | 6         | 24" 610      | 96" 2438      | 339 153.8      |
| UCBH24120SEM* | 6         | 24" 610      | 120" 3048     | 384 174.2      |
| UCBH3036SEM   | 4         | 30" 762      | 36" 914       | 142 64.4       |
| UCBH3048SEM   | 4         | 30" 762      | 48" 1219      | 173 78.5       |
| UCBH3060SEM   | 4         | 30" 762      | 60" 1524      | 219 99.3       |
| UCBH3072SEM   | 4         | 30" 762      | 72" 1829      | 261 118.4      |
| UCBH3084SEM*  | 6         | 30" 762      | 84" 2134      | 312 141.5      |
| UCBH3096SEM*  | 6         | 30" 762      | 96" 2438      | 350 158.8      |
| UCBH30120SEM* | 6         | 30" 762      | 120" 3048     | 450 204.1      |

\* Note: Worktables 84" (2134mm) and longer have two sets of doors.

**EAGLE GROUP**  
 100 Industrial Boulevard, Clayton, DE 19938-8903 USA  
 Phone: 302-653-3000 • Fax: 302-653-2065  
 www.eaglegrp.com

Foodservice Division: Phone 800-441-8440  
 MHC/Retail Display Divisions: Phone 800-637-5100

Printed in U.S.A.  
 ©2013 by Eagle Group

Rev. 08/13

Spec sheets available for viewing, printing or downloading from our online literature library at [www.eaglegrp.com](http://www.eaglegrp.com)

Although every attempt has been made to ensure the accuracy of the information provided, we cannot be held responsible for typographical or printing errors. Information and specifications are subject to change without notice. Please confirm at time of order.