

Project: _____	AIA# _____
Item #: _____ Qty: _____	SIS# _____
Model #: _____	

## Soda Manifold Housings

C-SMHA-4, C-SMHA-4-ED, C-SMHA-6, C-SMHA-6-ED, C-SMHB-4, C-SMHB-4-ED, C-SMHB-6, C-SMHB-6-ED, C-SMHP-4, C-SMHP-4-ED, C-SMHP-6, C-SMHP-6-ED

### Standard Features

- Stainless steel construction
- Designed to house the manifold of Wunder-Bar<sup>®</sup> or Schroeder America<sup>™</sup> 8 to 14 button soda guns
- Once installed, the top of the housing is 34" high
- Top cover is removable for access to the soda manifold
- Eliminates the need for tubing bundles above the work surface
- Mounts to an adjacent piece of Choice underbar (there is no provision for leg mounting)
- The soda gun drip cup supplied by the soda gun manufacturer mounts to the underside of your bar top
- Extra deep "-ED" models available to align with extra-deep-style ice bins

### Specifications

#### Materials

- 20 gauge stainless steel parts include: all components unless otherwise noted



**Intertek**  
4004503

Conforms to ANSI/NSF STD 2



C-SMHA-6 with top cover removed and soda manifold installed.



Installation photo showing soda gun drip cup mounted below bar top.

Underbar installation instructions: <https://www.glastender.com/support/documents/manuals/underbar-installation-instructions>

Cleaning & care instructions: <https://www.glastender.com/support/documents/manuals/general-cleaning-and-care-instructions-for-stainless-steel>

**Glastender, Inc.** • 5400 North Michigan Road • Saginaw, MI • 48604-9780  
989.752.4275 • 800.748.0423 • Fax 989.752.4444  
www.glastender.com

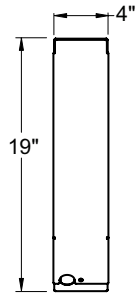
Approval/Notes:

Specifications subject to change without notice. For current specifications please visit our website.

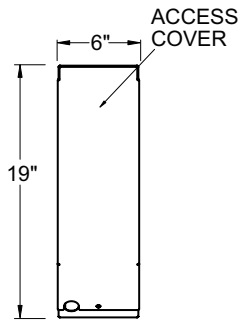
# Choice Soda Manifold Housings

## Dimensional Information

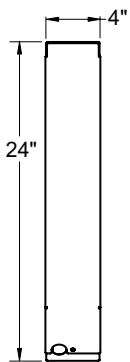
### PLAN VIEWS



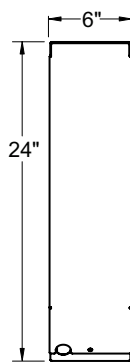
C-SMHA-4  
C-SMHA-4-ED



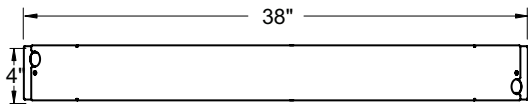
C-SMHA-6  
C-SMHA-6-ED



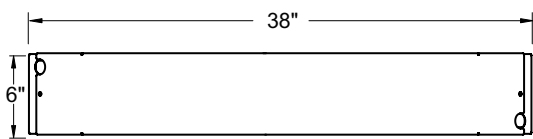
C-SMHB-4  
C-SMHB-4-ED



C-SMHB-6  
C-SMHB-6-ED

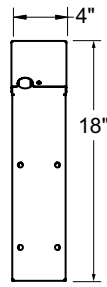


C-SMHP-4, C-SMHP-4-ED

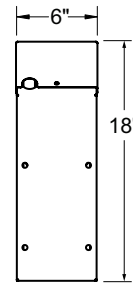


C-SMHP-6, C-SMHP-6-ED

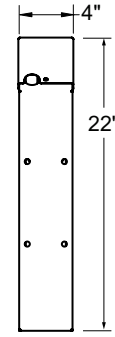
### FRONT VIEWS



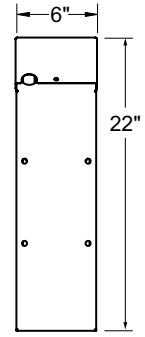
C-SMHA-4  
C-SMHB-4  
C-SMHP-4



C-SMHA-6  
C-SMHB-6  
C-SMHP-6

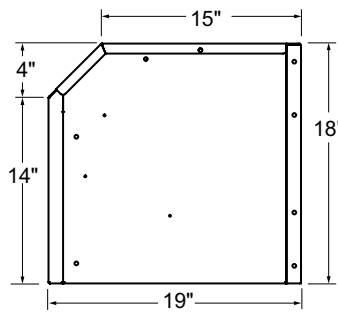


C-SMHA-4-ED  
C-SMHB-4-ED  
C-SMHP-4-ED

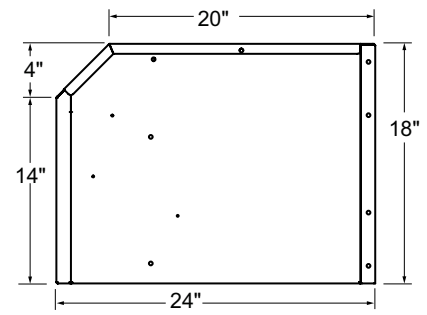


C-SMHA-6-ED  
C-SMHB-6-ED  
C-SMHP-6-ED

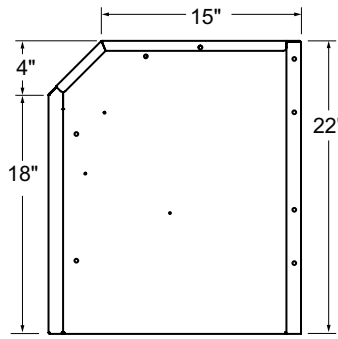
### SIDE ELEVATIONS



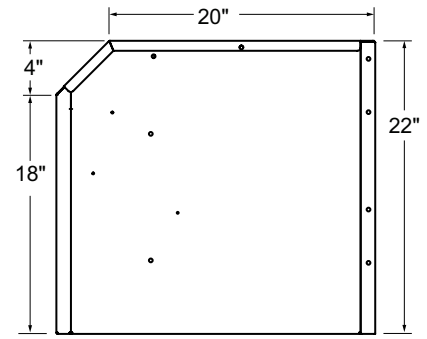
C-SMHA-4, C-SMHA-6



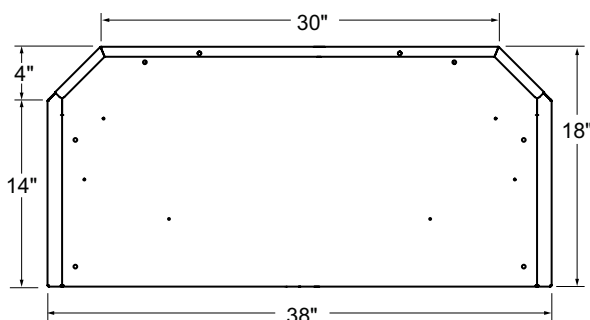
C-SMHB-4, C-SMHB-6



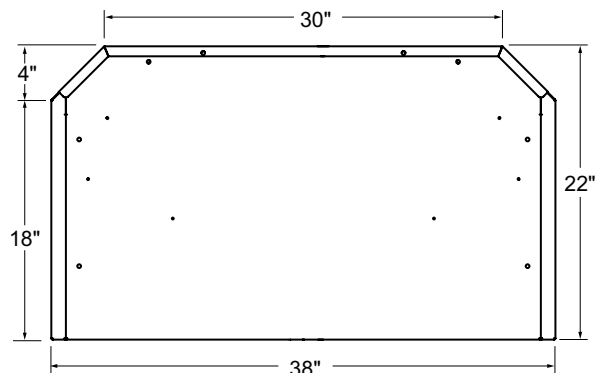
C-SMHA-4-ED, C-SMHA-6-ED



C-SMHB-4-ED, C-SMHB-6-ED



C-SMHP-4, C-SMHP-6



C-SMHP-4-ED, C-SMHP-6-ED