

STAINLESS STEEL  
**DISHTABLES**  
**ISLAND CLEAN**

**NEW** Tile Edge Design



Item #: \_\_\_\_\_ Qty #: \_\_\_\_\_  
 Model #: \_\_\_\_\_  
 Project #: \_\_\_\_\_

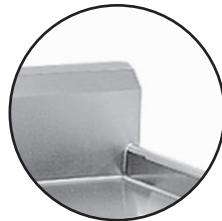


**SPEC-LINE**  
 DTC-G70-60R Shown

**Optional Stainless Steel  
 UNDERSHELF**  
**Die Cast LEG CLAMP**  
 secured to shelf eliminates  
 unsightly nuts & bolts



**10-1/2" EXTRA LARGE  
 Bold Looking Backsplash  
 with 2" return and tile edge**



**Spec-Line:** 14 ga. 304 Series Stainless Steel Top.  
 16 ga. 304 Stainless Steel Legs Stainless Steel Legs  
 with Welded Cross Bracing & Stainless Steel Bullet Feet.

**UPGRADED!**  
**Standard:** 16 ga. 304 Series Stainless Steel Top.  
 16 ga. 304 Stainless Steel Legs Stainless Steel Legs  
 with Welded Cross Bracing & Stainless Steel Bullet Feet.

**FEATURES:**  
 Tile edge for ease of installation.  
 Dishtable system consists of SOIL and CLEAN sections.  
 Table is furnished with 10-1/2" splash with a 2" return.

**CONSTRUCTION:**  
 All TIG welded.  
 Welded areas blended to match adjacent surfaces and to a  
 satin finish.  
 Stainless Steel Gussets welded to a stainless steel  
 support channel.

ACCESSORIES	Model #	Qty
Undershelf		
Wall Shelf		

14 Gauge 304 16 Ga. Stainless Steel Legs	16 Gauge 304 Stainless Steel Legs
---	--------------------------------------

Nominal Size	"L"	SPEC-LINE	STANDARD	Approx. Wt.
4 Ft.	47"	DTC-G30-48L or R	DTC-G70-48L or R	145 lbs.
5 Ft.	59"	DTC-G30-60L or R	DTC-G70-60L or R	165 lbs.
6 Ft.	71"	DTC-G30-72L or R	DTC-G70-72L or R	190 lbs.
7 Ft.	83"	DTC-G30-84L or R	DTC-G70-84L or R	205 lbs.
8 Ft.	95"	DTC-G30-96L or R	DTC-G70-96L or R	215 lbs.
9 Ft.	107"	DTC-G30-108L or R	DTC-G70-108L or R	310 lbs.
10 Ft.	119"	DTC-G30-120L or R	DTC-G70-120L or R	340 lbs.
12 Ft.	143"	DTC-G30-144L or R	DTC-G70-144L or R	360 lbs.

Nominal sizing on all  
 dishtables for ease of  
 installation.

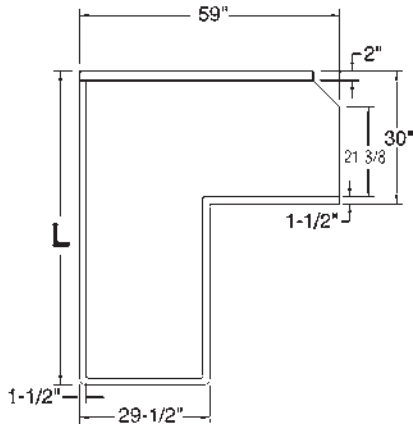
# DIMENSIONS and SPECIFICATIONS

TOL ± .500"

ALL DIMENSIONS ARE TYPICAL

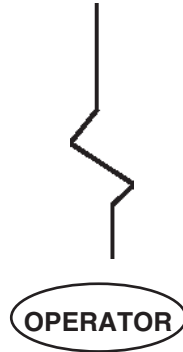
## SEE DISH MACHINE COMPATIBILITY CHART TO ENSURE PROPER FIT

Dish Machine Compatibility Chart can be found on our website at [www.advancetabco.com](http://www.advancetabco.com) under "Product Support"

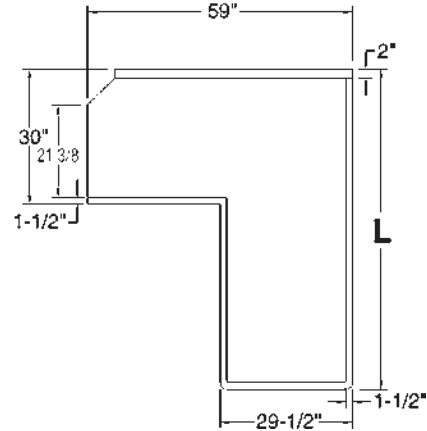


ISLAND CLEAN LEFT

DISH  
MACHINE



OPERATOR

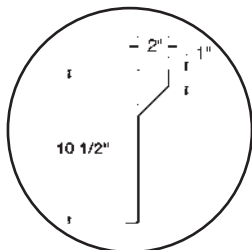


ISLAND CLEAN RIGHT

SPEC-LINE & STANDARD		SUPER SAVER	
1 1/2"	26 1/2"	1 1/2"	26 1/2"
3"	10 1/2"	3"	10 1/2"
	44 1/2"		44 1/2"
34"		34"	
	Cross Brace		
	10"		

*CUSTOMIZE YOUR OWN SYSTEM  
by Ordering Optional Accessories from our  
PRODUCT & PRICE GUIDE*

Splash Detail



Description	SPEC-LINE	STANDARD
<b>Material</b>	14 Ga. 304 Series	16 Ga. 304 Series
<b>1 5/8" Dia. Legs</b>	Stainless Steel	Stainless Steel
<b>Gussets</b>	Stainless Steel	Stainless Steel
<b>Bullet Feet (1" adj.)</b>	Stainless Steel	Stainless Steel
<b>Cross Bracing</b>	Welded	Welded

