

SANDWICH UNIT REFRIGERATOR

Model: **SW48N10**

Natural Refrigerant R-290 Model

48" Standard Top Sandwich Unit Refrigerator with Solid Door - 10 Pans

Stainless steel front, top and end panels, aluminum back and interior.



Options and Accessories

(upcharge and lead times may apply)

| | |
|---------------------------------------|----------------------------|
| Stainless steel interior | Flat lid |
| Stainless steel back | Vision panel lid |
| Additional epoxy coated steel shelves | Door locks |
| Stainless steel shelves | Front breathing |
| Overshelves (single or double) | Rear mounted cutting board |
| Adjustable legs | Composite cutting board |
| Optional caster sizes | Crumb catcher |
| Drawers in lieu of door(s)* | Modified pan opening |

Consult factory for other model configurations, options and accessories.

*Drawers hold (1) 1/2 x 6 and (1) 1/3 x 6 size pans per drawer

Continental
Refrigerator



Project Name:

Model Specified:

Location:

Item No:

Quantity:

AIA #:

SIS #:

Standard Model Features

REFRIGERATION SYSTEM

Performance rated refrigeration system

Natural, environmentally safe, high efficiency R-290 refrigerant¹

Unique air flow distribution allows pan product to maintain 33° - 41°F

Automatic, hot gas condensate evaporator

Non-corrosive, plasticized fin evaporator coil

Expansion valve system

Easily serviceable, back mounted compressor

CABINET ARCHITECTURE

2" non-CFC polyurethane foam insulation

Smooth, polished chrome door handles

Spring loaded, self closing doors

Magnetic snap in Santoprene™ door gaskets

Heavy duty, epoxy coated steel shelves

12" deep, full length nylon cutting board

Insulated lid

Completely enclosed, vented and removable case back

5" casters

MODEL FEATURES

Electronic control, off-cycle defrost

(10) 1/2 size recessed pans, 4" deep

Removable interior tub below pans

Field rehingeable doors

¹ R-290 refrigerant meets all federal and state regulatory requirements.

APPROVAL:

Model Specifications

DIMENSIONAL DATA

| | |
|--|------------------|
| Net Capacity (cubic feet) | 13.4 (379 l) |
| 1/6 Size Pans (4" deep) | 10 |
| Width, Overall (inches) | 48 (1219 mm) |
| Depth, Overall (inches) (including handles & bumpers) | 32 3/16 (818 mm) |
| Depth, Cutting Board (inches) | 12 (305 mm) |
| Height, Overall (inches) (including 5" casters) | 42 1/4 (1073 mm) |
| Shelf Area (square feet) | 6.8 (0.6 sq m) |
| Number of Shelves | 2 |
| Number of Doors | 2 |
| Interior Depth (inches) | See Drawing |
| Interior Height (inches) | 26 1/4 (667 mm) |
| Interior Width (inches) | 44 (1118 mm) |

REFRIGERANT DATA

| | |
|-------------------------------|------|
| Condensing Unit Size (H.P.) | 1/4 |
| R-290 Refrigerant Charge (oz) | 3.9 |
| Capacity (BTU per hour)* | 1930 |

* Rating @ +25°F evaporator, 90°F ambient

ELECTRICAL DATA

| | |
|--|---------------------|
| Voltage (International) | 115/60/1 (220/50/1) |
| Total Amps (International) | 3.6 (1.8) |
| 10 ft. Cord/Plug [attached] (International) | Yes (No) |

SHIPPING DATA

| | |
|--------------------------|------------------|
| Weight (pounds) | 305 (139 kg) |
| Height - Crated (inches) | 43 1/4 (1099 mm) |
| Width - Crated (inches) | 56 (1422 mm) |
| Depth - Crated (inches) | 37 1/4 (946 mm) |

Figures in parentheses reflect metric equivalents rounded to the nearest whole unit.



Equipped with one NEMA-5-15P Plug
(varies by country)

Continental[®]

Refrigerator

Toll-Free: 800-523-7138
Phone: 215-244-1400
Fax: 215-244-9579

539 Dunksferry Road
Bensalem, PA 19020
www.continentalrefrigerator.com

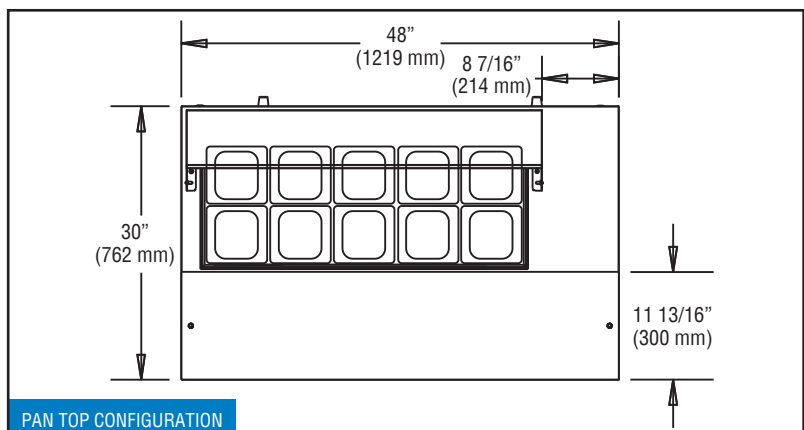
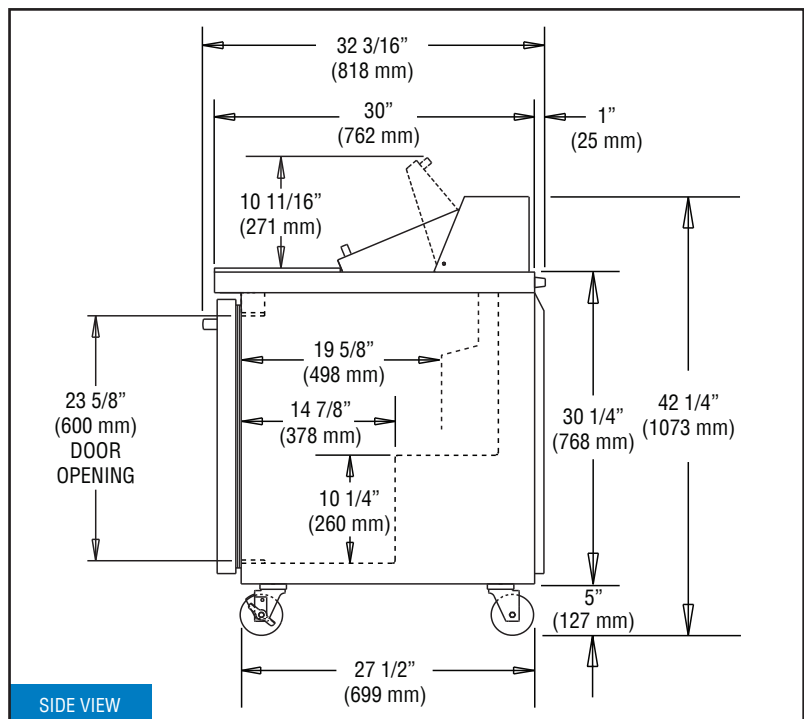
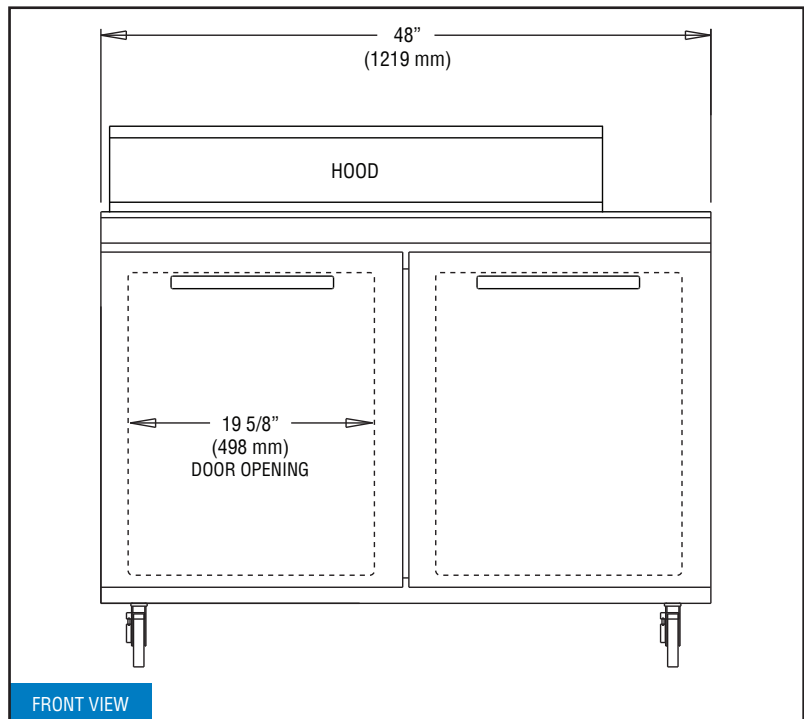
Due to our continued efforts in developing innovative products, specifications subject to change without notice.



PROUDLY
DESIGNED & ASSEMBLED
IN THE U.S.A.

© Copyright 2021. Continental Refrigerator.
A Division of National Refrigeration & Air Conditioning Products, Inc.

Model Plan Views



REVISED: 12/4/25