



# C SERIES

## 3-SECTION COMPACT 6-DRAWER UNDERCOUNTER REFRIGERATOR



Project Name:	Location:	AIA #:
Item #:	Qty:	Model #:
		SIS #:

### C SERIES - STAINLESS STEEL EXTERIOR & INTERIOR



**72" WIDE MODEL**  
**CLUC-72R-DW**



ENERGY STAR® Listed Commercial Refrigerator  
For full listing visit [energystar.gov](http://energystar.gov)

### SPECIFICATIONS

DIMENSIONAL DATA	
Pan Capacity (per drawer)	(1) Half Size; (1) 1/3 Size
Length in.	72-1/4 (183.5 cm)
Depth in.	31-1/2 (80 cm)
Overall Height in. <sup>2</sup>	34 (86.4 cm)
ELECTRICAL DATA	
Horsepower <sup>1</sup>	1/5
Amps	2.6
Voltage	115/60/1
NEMA	5-15P
REFRIGERATION DATA	
Refrigerant	R-290
Charge Amount oz.	3.0 (85 g)
BTU	1800

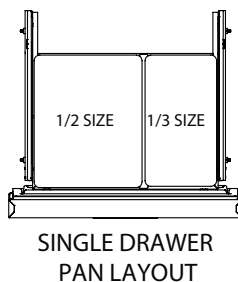
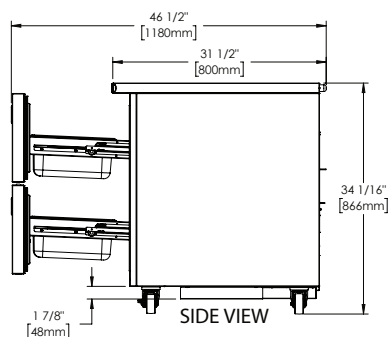
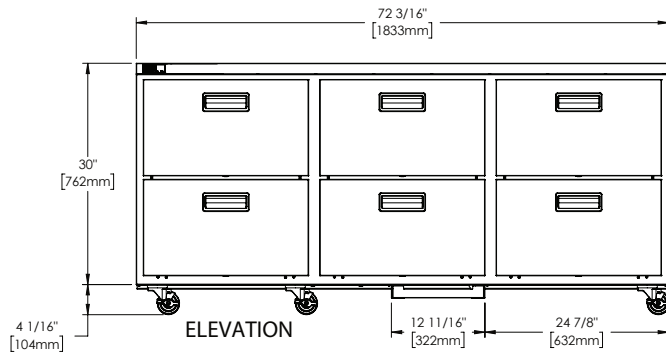
When ordering please specify:  
Voltage and Options



NEMA 5-15P

1. Based on 90°F ambient & 20°F evaporator.
2. Overall height includes 4" (10.2 cm) for casters.

### PLAN VIEW



Models listed to applicable UL, CSA, and NSF standards by an approved NRTL. Consult the factory or unit data plate for additional information.

Specifications subject to change without notice. Chart dimensions are rounded up to the nearest 1/16" (centimeters rounded up to the nearest tenth).



# C SERIES

## 3-SECTION COMPACT 6-DRAWER UNDERCOUNTER REFRIGERATOR



Project Name:	Location:	AIA #:	
Item #:	Qty:	Model #:	SIS #:

### REFRIGERATION SYSTEM

- Self-contained, rear-mounted system uses environmentally friendly, minimal GWP R-290 refrigerant
- Front-breathing system allows zero-clearance installation
- Easy access to condenser coil for cleaning
- High performance, balanced system operates at 32-41°F (0-5°C) to maintain consistent, food-safe temperatures
- LED display for microprocessor control is water-resistant
- Capillary tube metering device

### CABINET CONSTRUCTION

- Stainless steel exterior and interior
- Exterior top, back, and bottom is constructed of heavy gauge galvanized steel
- Drawer exterior, liner and frame are constructed of stainless steel
- Cabinet is insulated with an average of 2-3/8" (6.03 cm) thick high density, non-CFC foamed-in-place polyurethane
- A set of (6) 4" (10.2 cm) high casters; (3) with brakes, (3) without brakes; factory-installed
- 9' cord & plug provided

### DRAWERS

- Foamed-in-place, recessed handles
- Drawers are self-closing with a stay-open feature
- Magnetic, snap-in drawer gaskets
- Gasket-protecting retainers
- Removable without tools
- Accommodates 6" deep (1) half size and (1) 1/3 size pan per drawer; provided by others

### FIELD-INSTALLED OPTIONS

- Single overshelf, 72"W x 18"H x 16"D (CLUCACC-72OSHSELF)
- Set of (6) 6" (15.2 cm) legs
- Set of (6) 6" (15.2 cm) casters
- Set of (6) 2-3/4" (7 cm) casters

### WARRANTY

Both a six-year parts and labor warranty, and an additional one-year compressor parts warranty (for a total of seven years) are provided standard

CAD and/or Revit Files Available

<https://traulsen.klccad.com>

Approved by:	Approved by:	Date:
--------------	--------------	-------