

# HOT FOOD COUNTER WITH OPEN WELLS

**NEW**



## FEATURES

- 12" x 20" Open Wells
- Individual Infinite Controls with Indicator Lights.
- 3/8" Thick x 8" Wide Poly Cutting Board.
- Adjustable Stainless Steel Legs
- 500W per well (120v).
- Three Wells: NEMA plug 5-20
- Four Wells: NEMA plug L5-30

## MATERIALS

- 20 Gauge 304 Stainless Steel
- Stainless Steel Feet

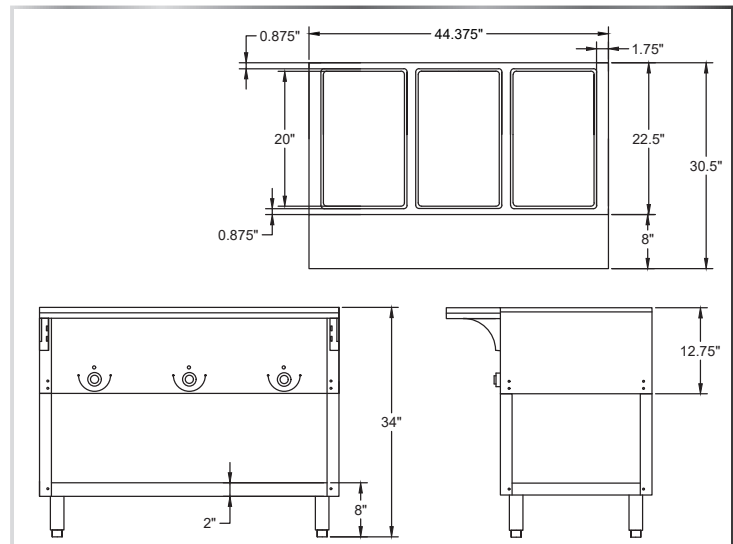
Add Water Pans (HT-1P), an Overshelf & Casters your Hot Food Counter!  
(See Pages 130)



\*Enclosed Base Model (HT-4W-120B)



\*Top view of HT-3W-120(B)



MODEL NUMBER	LENGTH	WIDTH
HT-3W-120	44- <sup>3</sup> / <sub>8</sub> "	30- <sup>1</sup> / <sub>2</sub> "
HT-3W-120B	44- <sup>3</sup> / <sub>8</sub> "	30- <sup>1</sup> / <sub>2</sub> "
HT-4W-120	58- <sup>3</sup> / <sub>8</sub> "	30- <sup>1</sup> / <sub>2</sub> "
HT-4W-120B	58- <sup>3</sup> / <sub>8</sub> "	30- <sup>1</sup> / <sub>2</sub> "