

- **C33R-UC** 35-5/8"L x 32-3/4"D x 32-1/4"H
- **C43R-UC** 47-5/8"L x 32-3/4"D x 32-1/4"H
- **C53R-UC** 59-5/8"L x 32-3/4"D x 32-1/4"H
- **C63R-UC** 71-5/8"L x 32-3/4"D x 32-1/4"H

Included

- Casters (non-locking) w/ levelers
- Condensate pan
- E-Coated evaporator coil
- Hydrocarbon refrigerant (R290)
- Magnetic air filter
- One piece formed ABS plastic tub
- One year parts & labor; 5 year compressor warranty
- Top light (LED 4000K)
- Warmest average product temperature of 40°F or less
- Remote w/thermostat, solenoid & TXV (front access)
- Remote w/thermostat, solenoid & TXV (rear access)



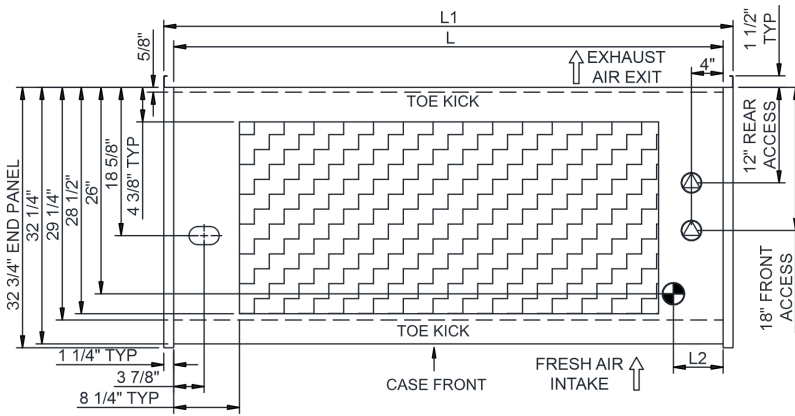
C33R

Specify	Standard Features	Additional Options
EXTERIOR COLOR	• Powder coated Silversan Black	• Laminate (stock/non-stock colors) • Powder coated (stock/non-stock colors) • Stainless steel
INTERIOR COLOR	• Powder coated Silversan Black	• Powder coated Designer White • Stainless steel
REAR EXTERIOR COLOR	• Powder coated Silversan Black	• Stainless steel
BASE SUPPORT	• Casters (non-locking) w/ levelers	• Casters (non-locking) w/ seismic levelers • Levelers (remote)
END PANELS	• Full w/stainless steel mirror interior	• None (synchronized defrost required)
COVER/CURTAIN	• None	¹ • Night curtain, retractable, non-locking • Removable solid security cover, locking
DISPLAY STEPS	• None	• 2"H Full depth display step(s)
PRICE TAG MOLDING	• None	• Universal price tag molding (clear w/ open top)
REAR DOORS	• None (solid back panel)	
ELECTRICAL CONNECTION	• 6' Straight blade power cord (self-cont.)	• 6' Locking power cord (self-cont.) • Electrical leads (remote)
CLEAN SWEEP	• None	• Clean Sweep® automatic condenser coil cleaner
REFRIGERATION	• Breeze~E (Type-II) self-contained refrigeration (rear access)	² • Breeze~E (Type-II) self-contained refrigeration (front access) ³ • Remote w/thermostat, solenoid & TXV (front/rear access)
THERMOMETER	• Spirit filled thermometer	
MISCELLANEOUS		• Second year parts & labor warranty (excludes compressor)

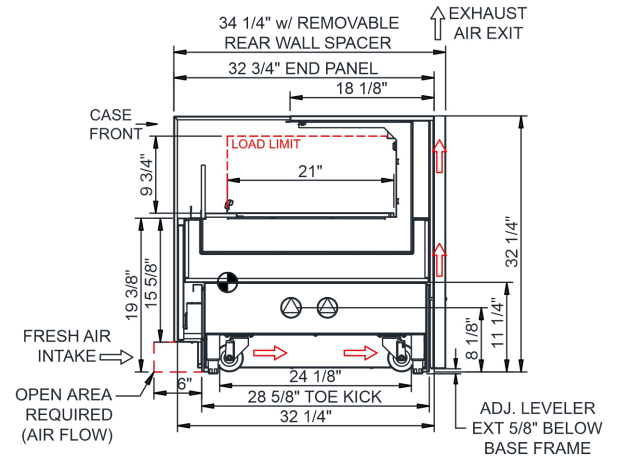
Option Notes: 1 - One cover/curtain type per model
 2 - Increases depth of unit to 34-1/4"
 3 - Read important notes for remote options

Intended Environment: Type II - Designed to operate in ambient conditions of 80°F and 55% relative humidity unless noted otherwise in system information below.		
Zone	Intended Product To Be Displayed	Warmest Avg Prod Temp ° F
1	Packaged refrigerated products-Prechilled to Warmest Avg Prod Temp.	40

PLAN VIEW



SIDE VIEW



NOTES:

1. SELF-CONTAINED ACCESS ONLY BY PULLING OUT CONDENSER DRAWER
2. COMPRESSOR REAR INTAKE, FRONT DISCHARGE AT TOE KICK. REAR & FRONT PANELS CANNOT BE BLOCKED. (INTAKE/DISCHARGE REVERSED WHEN FRONT ACCESS)
3. REAR SPACERS REQUIRED WITH FRONT ACCESS REFRIGERATION

NOTE: ALL DIMENSIONS APPROXIMATE

- ELECTRICAL JUNCTION BOX (SUPPLIED WITH 6" LEADS OR POWER CORD).
- LOCATION OF DRAIN TUBE FOR REMOTE REF. ONLY (SUPPLIED WITH 3/4" OR 1 1/2" PVC TUBE).

- REFRIGERATION LINE CONNECTION.
- REMOTE FLOOR SINK & UTILITIES ACCESS AREA.

- SELF-CONTAINED CASE SERVICE ACCESS AREA.
- DRY CASE SERVICE ACCESS AREA.

Model Technical Specifications																
Model	L"	L1"	L2"	System Circuit Volts		Phs	Freq	Amps ***	Watts	Wires	NEMA Plug	SST	Conv. Rack BTU/H	Para. Rack BTU/H	Est Wt	
				Remote (DX)	Self-Contained (R290)											
C33R-UC	33.13	35.63	6.25	Remote (DX)	Circuit #1	110-120	1	60	1.77	52	2+G	Leads Single	24.00	1049	971	650
				Self-Contained (R290)	Circuit #1	110-120	1	60	10.85	963	2+G	5-15P or L5-15P	N/A	N/A	N/A	
C43R-UC	45.13	47.63	6.25	Remote (DX)	Circuit #1	110-120	1	60	2.27	80	2+G	Leads Single	24.00	1401	1297	700
				Self-Contained (R290)	Circuit #1	110-120	1	60	11.35	991	2+G	5-15P or L5-15P	N/A	N/A	N/A	
C53R-UC	57.13	59.63	6.25	Remote (DX)	Circuit #1	110-120	1	60	2.32	88	2+G	Leads Single	24.00	1762	1631	750
				Self-Contained (R290)	Circuit #1	110-120	1	60	15.70	1,527	2+G	5-20P or L5-20P	N/A	N/A	N/A	
C63R-UC	69.13	71.63	6.25	Remote (DX)	Circuit #1	110-120	1	60	2.36	96	2+G	Leads Single	24.00	2096	1941	850
				Self-Contained (R290)	Circuit #1	110-120	1	60	15.74	1,535	2+G	5-20P or L5-20P	N/A	N/A	N/A	

*** Does not include electric defrost on freezer models.

Regulatory Approvals:

All Models
 Accordance with AHRI Std 1200
 ETL Listed to UL 471 & UL 60335-2-89
 ETL Listed to CAN/CSA 22.2 No. 120
 ETL Sanitation to NSF/ANSI 7



In Accordance with
AHRI Std 1200

DOE 2017
 Energy Efficiency
 Compliant

Important Notes:

- 1) REMOTE REFRIGERATION NOTE: Condensing unit not included, floor drain required.
- 2) Performance issues (product temperatures, water on floor, etc.) caused by adverse conditions are not covered by warranty.
- 3) Levelers must be adjusted during installation to ensure unit is level and plumb.
- 4) Keep unit at least 15' from exterior doors, overhead HVAC vents, or any air curtain disruption.
- 5) Do not expose unit to direct sunlight or any heat source (ovens, fryers, etc.).
- 6) Front access compressor air intake at lower front, discharge from lower rear. Lower panels cannot be blocked. Wall spacers required for proper air flow. Rear access reverses air flow direction.
- 7) Front access increases case depth to 34-1/4".
- 8) If GFCI is required, a GFCI breaker MUST be used in lieu of a GFCI receptacle.

⚠ WARNING: This product can expose you to chemicals, including Urethane (Ethyl Carbamate), which are known to the State of California to cause cancer and birth defects or other reproductive harm. For more information go to www.P65Warnings.ca.gov.