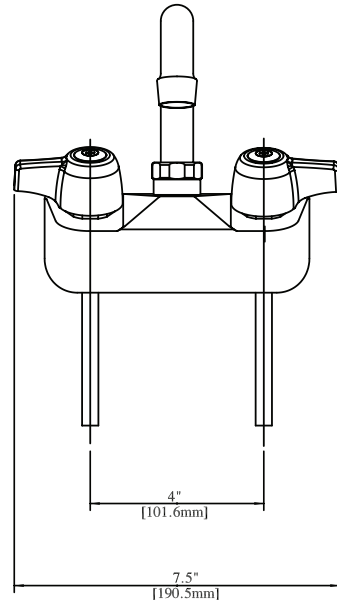
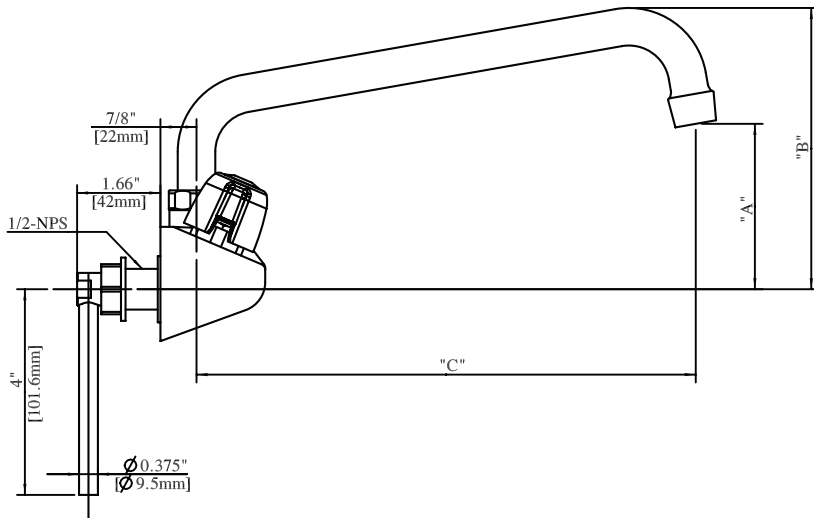
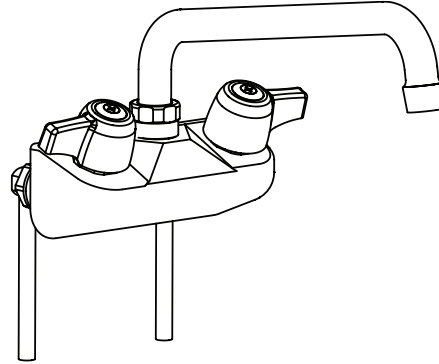




Use your smart phone to scan the above QR code to visit our website: www.bk-resources.com

4" Splash Mount Shallow Standard Duty Faucet with Swing Spout

Model: BKF-W2-G, Lead Free



PRODUCT SPECIFICATION SHEET

Options:



BKF-C414-VR
Vandal Resistant Aerator - .5 GPM

Product Specifications:

- 1/4 Turn Ceramic Cartridges
- Color Coded Hot & Cold Indicators
- Double O-Ring Spout Seal
- High Polished Nickel Chrome Finish
- Lead Free Compliant
- Full Replacement Parts Available
- 2 GPM Flow Rate

Product Detail:

Model Number	DIM. A	DIM. B	DIM. C	Product Weight (lbs)
BKF-W2-6-G	1.88" [47.6]	4.16" [105.6]	6" [152.4]	2.00
BKF-W2-8-G	2.31" [58.7]	4.56" [115.8]	8" [203.2]	2.50
BKF-W2-10-G	2.69" [68.3]	4.88" [123.8]	10" [254]	2.50
BKF-W2-12-G	3.09" [78.6]	5.31" [134.9]	12" [304.8]	2.50
BKF-W2-14-G	3.5" [88.9]	5.75" [146]	14" [355.6]	2.50
BKF-W2-16-G	3.88" [98.4]	6.09" [154.8]	16" [406.4]	2.50

Certifications:



Certified to NSF/ANSI 61 Section 9-G

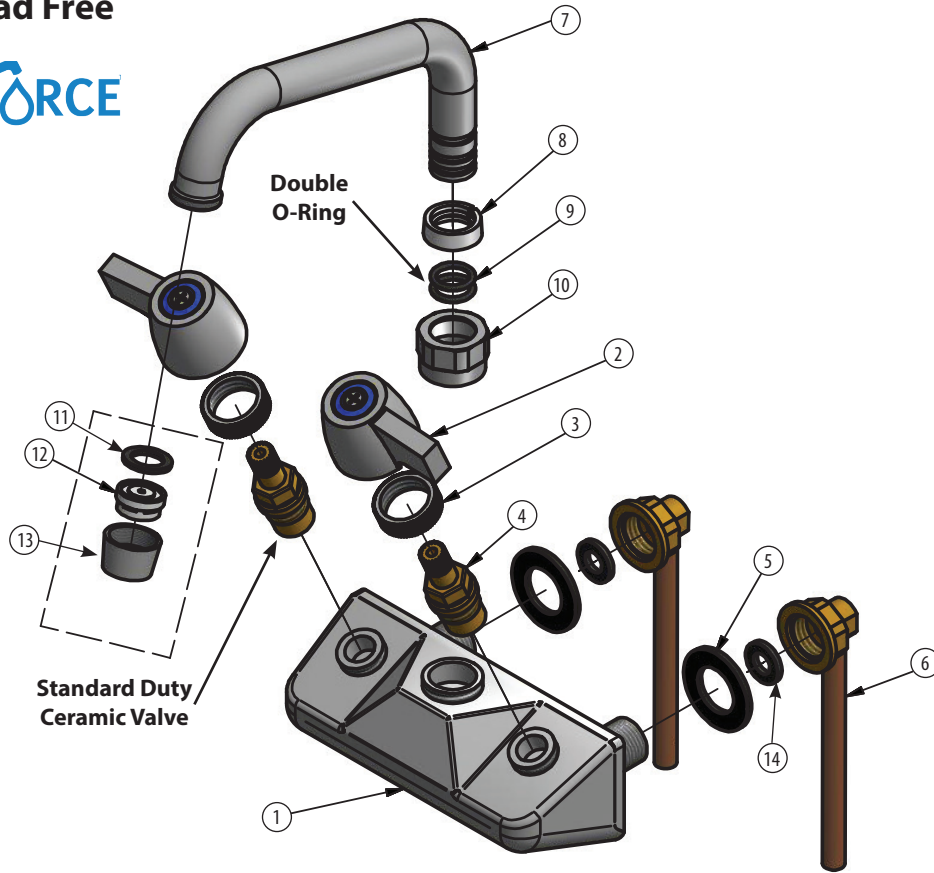
RESOURCES





4" Splash Mount Shallow Standard Duty Faucet with Swing Spout

Model: BKF-W2-G, Lead Free



Exploded Parts Detail:

Diagram #	Quantity	Part Number	Description
1	1	BKF-W2-XX-G	Faucet Body
2	2	BK-DBH	Handle
3	2	BKF-HV/CV-TN	Valve Trim Nut
4	2	(1)BKF-W-CV-G & (1)BKF-W-HV-G	Ceramic Valves
5	2	BKF-W-MW	Washer
6	2	BKF-90-Conn	Brass w/ O-Ring Seal
7	1	BKF-SPT-XX-G	Spout
8	1	BKF-SPT-SPACER	Spacer
9	1	BKF-SPT-ORING	O-Ring
10	1	BKF-SPT-NUT	Spout Nut
11	1	BKF-SPT-AER-W	Aerator Washer
12	1	BKF-SPT-AER	Aerator
13	1	BKF-AER-NOZZLE	Nozzle
14	2	BKF-90-CONN-W	Washer

Optional Spouts & Parts:

- Standard Duty Gooseneck Spout**
BKF-SPT-3G-G, BKF-SPT-5G-G
BKF-SPT-8G-G
- Standard Duty DJ Swing Spout**
BKF-SPT-18-G
- Standard Duty Swing Spout**
BKF-SPT-6-G, BKF-SPT-8-G
BKF-SPT-10-G, BKF-SPT-12-G
BKF-SPT-14-G, BKF-SPT-16-G
- BKF-C414-VR**
Vandal Resistant Aerator - .5 GPM

*Wrist blade handles not available for WorkForce faucets, upgrade to OptiFlow if needed
Due to our commitment to improving our products, specifications are subject to change without notice.

