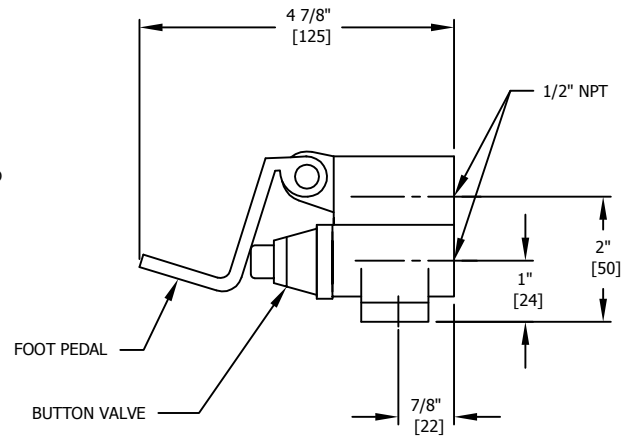
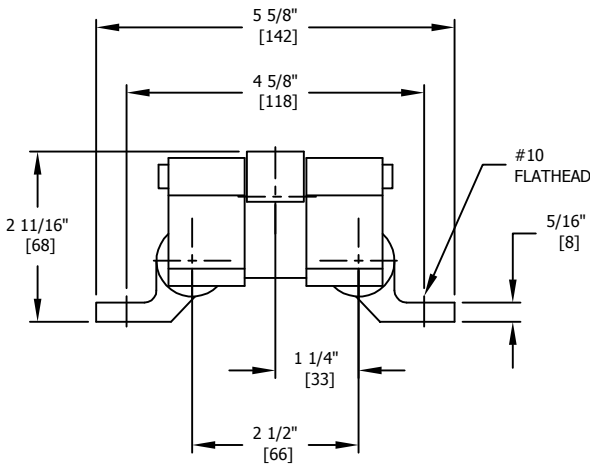
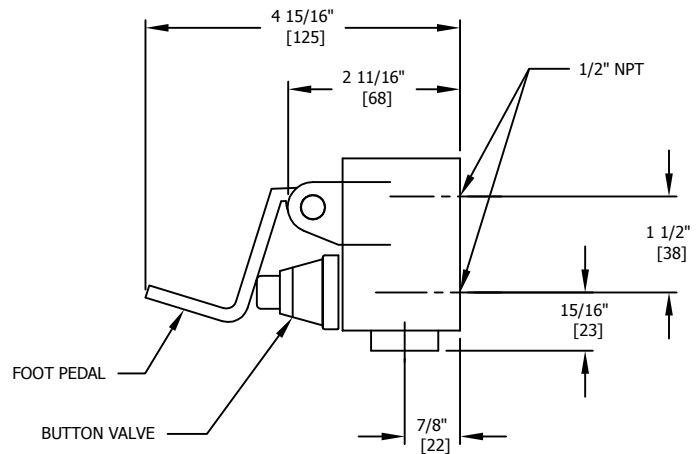
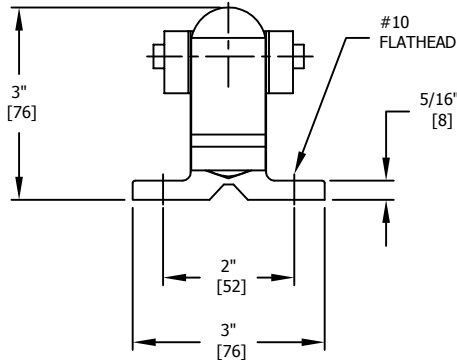


PART NO.	DESCRIPTION	PURCHASE NUMBER
67420-1-LF	WATER VALVE, SINGLE PEDAL, FOOT OPERATED, 1/2" NPT INLET/OUTLET, LEAD FREE	KL25-2000
67420-2-LF	WATER VALVE, DUAL PEDAL, FOOT OPERATED, 1/2" NPT INLETS/OUTLET, LEAD FREE	KL25-1000



## DUAL LEVER CONTROL - LEAD FREE



## SINGLE LEVER CONTROL - LEAD FREE

TOLERANCES UNLESS OTHERWISE SPECIFIED DIMENSIONS ARE IN INCHES

PERLICK CORPORATION MILWAUKEE, W I.

WATER VALVE, SINGLE & DUAL PEDAL, FOOT OPER., 1/2" NPT INLETS/OUTLETS, LEAD FREE

ENCORE FOOT OPERATED VALVES BY COMPONENT HARDWARE GROUP INC.

SCALE 1:3  
 DR. AJP DATE 12/23/2013  
 CHK'D \_\_\_\_\_ DATE \_\_\_\_\_  
 APP'D \_\_\_\_\_ DATE \_\_\_\_\_

RELEASE FOR PRODUCTION

THIS DOCUMENT/PUBLICATION/SOFTWARE/DRAWING CONTAINS PROPRIETARY INFORMATION WHICH IS THE PROPERTY OF THE PERLICK CORP. IT MAY NOT BE REPRODUCED OR TRANSMITTED IN ANY FORM, ELECTRONIC OR MECHANICAL, INCLUDING PHOTOCOPYING, RECORDING, OR USED IN ANY INFORMATION STORAGE, TRANSMISSION, OR RETRIEVAL SYSTEM, WITHOUT WRITTEN PERMISSION FROM PERLICK CORP.

ORDER NO.

PRINTED

67420-LF

A 12/23/2013 AJP  
 REVISIONS