

- Choose from Standard Series (18 Gauge deep drawn bowl) or Spec Series (16 Gauge 300 Series Stainless Steel, fully fabricated)
- 12" x 10" x 6" (305 x 254 x 152) bowl size
- 7" high integrally formed backplash
- Inverted "V" non-drip edge on three sides
- Includes faucets, basket drains, and wall brackets



**Standard Hand Sink**

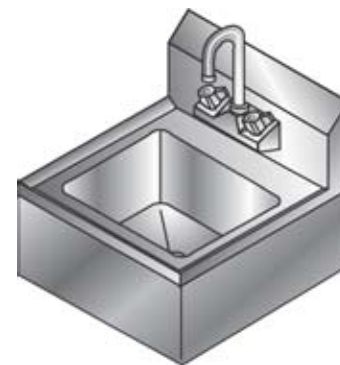
Model No.	Description	Approx. Weight		Cubic
		(Lbs.)	(Kg.)	Ft.
<b>Standard Series - 18 GA SS</b>				
EHS-1	Hand Sink	15	7	2.0
EHS-1R	Right Splash	20	9	2.0
EHS-1L	Left Splash	20	9	2.0
EHS-1RL	Right and Left Splash	25	11	2.0
<b>Spec Series - 16 GA SS</b>				
CHS-1	Hand Sink	15	7	2.5
CHS-1R	Right Splash	20	9	2.5
CHS-1L	Left Splash	20	9	2.5
CHS-1RL	Right and Left Splash	25	11	2.5



Standard Hand Sink  
CHS-1

**Skirted Hand Sink**

Model No.	Description	Approx. Weight		Cubic
		(Lbs.)	(Kg.)	Ft.
<b>Standard Series - 18 GA SS</b>				
EHS-2	Skirted Hand Sink	20	9	2.5
EHS-2R	Right Splash	25	11	2.5
EHS-2L	Left Splash	25	11	2.5
EHS-2RL	Right and Left Splash	30	14	2.5
<b>Spec Series - 16 GA SS</b>				
CHS-2	Skirted Hand Sink	20	9	2.5
CHS-2R	Right Splash	25	11	2.5
CHS-2L	Left Splash	25	11	2.5
CHS-2RL	Right and Left Splash	30	14	2.5



Skirted Hand Sink  
CHS-2