



C SERIES

1-SECTION COMPACT SOLID DOOR
UNDERCOUNTER FREEZER



Project Name:	Location:	AIA #:	
Item #:	Qty:	Model #:	SIS #:

C SERIES - STAINLESS STEEL EXTERIOR & INTERIOR



27" WIDE MODELS
 CLUC-27F-SD-R Hinged Right
 CLUC-27F-SD-L Hinged Left

SPECIFICATIONS

DIMENSIONAL DATA	
Capacity cu. ft.	6.5 (184.1 cu l)
Length in.	27-1/2 (69.9 cm)
Depth in.	31-1/2 (80 cm)
Overall Height in. ²	34 (86.4 cm)
ELECTRICAL DATA	
Horsepower ¹	1/2
Amps	5.3
Voltage	115/60/1
NEMA	5-15P
REFRIGERATION DATA	
Refrigerant	R-290
Charge Amount oz.	2.1 (59.5 g)
BTU	1750

When ordering please specify:
Voltage, Hinging, and Options



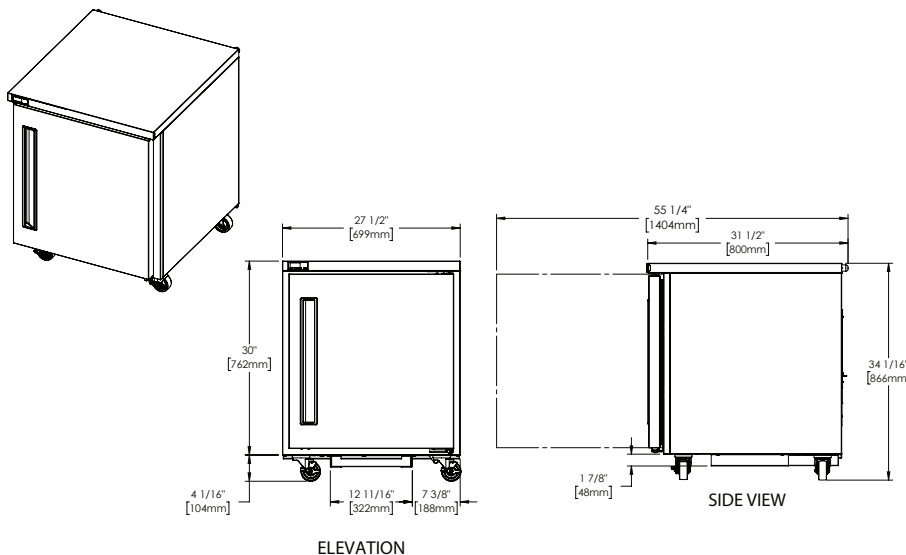
NEMA 5-15P

- Based on 90°F ambient & 20°F evaporator.
- Overall height includes 4" (10.2 cm) for casters.



ENERGY STAR® Listed Commercial Freezer
For full listing visit energystar.gov

PLAN VIEW



Models listed to applicable UL, CSA, and NSF standards by an approved NRTL. Consult the factory or unit data plate for additional information.

Specifications subject to change without notice. Chart dimensions are rounded up to the nearest 1/16" (centimeters rounded up to the nearest tenth).



C SERIES

1-SECTION COMPACT SOLID DOOR UNDERCOUNTER FREEZER



Project Name:	Location:	AIA #:	
Item #:	Qty:	Model #:	SIS #:

REFRIGERATION SYSTEM

- Self-contained, rear-mounted system uses environmentally friendly, minimal GWP R-290 refrigerant
- Front-breathing system allows zero-clearance installation
- Easy access to condenser coil for cleaning
- High performance, balanced system operates at -3 to 3°F (-19 to -16°C) to maintain consistent, food-safe temperatures
- LED display for microprocessor control is water-resistant
- Capillary tube metering device

CABINET CONSTRUCTION

- Stainless steel exterior and interior
- Exterior top, back, and bottom is constructed of heavy gauge galvanized steel
- Cabinet is insulated with an average of 2-3/8" (6.03 cm) thick high density, non-CFC foamed-in-place polyurethane
- A set of (4) 4" (10.2 cm) high casters; (2) with brakes, (2) without brakes; factory-installed
- 9' cord & plug provided

DOOR

- Foamed-in-place, recessed handle
- Door is self-closing with a stay-open feature
- Magnetic, snap-in door gasket
- Gasket-protecting retainer
- Field-reversible

INTERIORS

- (2) adjustable, epoxy coated wire shelves per section supported on pilasters

FIELD-INSTALLED OPTIONS

- Additional epoxy coated shelves on pilasters
- Single overshelf, 27"W x 18"H x 16"D (CLUCACC-27OSHELF)
- Set of (4) 6" (15.2 cm) legs
- Set of (4) 6" (15.2 cm) casters
- Set of (4) 2-3/4" (7 cm) casters

WARRANTY

Both a six-year parts and labor warranty, and an additional one-year compressor parts warranty (for a total of seven years) are provided standard

CAD and/or Revit Files Available

<https://traulsen.klccad.com>

Approved by:	Approved by:	Date:
--------------	--------------	-------