

# Restaurant Series

## GAS MANUAL GRIDDLE



R18CT-18G | R24CT-24G | R36CT-36G  
R48CT-48G | R60CT-60G | R72CT-72G

R48CT-48G



### Overview

The **Restaurant Series Countertop Gas Manual Griddle** was developed in order to provide the best experience during cooking activities, combined with a high standard of quality, high performance and durability, it meets the needs of a top-of-the-line professional kitchen.

### STANDARD FEATURES

- 2-year parts and labor warranty.
- Available in widths of 18" (458 mm), 24" (610 mm), 36" (915 mm), 48" (1220 mm), 60" (1525 mm) and 72" (1830 mm);
- Fully welded structure ensuring stability, resistance and durability;
- Stainless steel front and sides;
- Anti-splash edge in 12 gauge stainless steel provides stability and durability;
- Plate made of 1" (25.4 mm) thick carbon steel and polished surface;
- Plate welded to top and bottom edges ensuring tightness;
- Independent burner box, increasing efficiency and facilitating any maintenance;
- Pilot viewing and adjustment is done through the front panel;
- Chrome-plated injected aluminum knobs providing for better toughness and durability.
- Drip tray(s) made of stainless steel with 2.4 gallon (9 L) capacity each, designed for easy removal and cleaning;
- One (18", 24" and 36" models) or two (48", 60" and 72" models) grease trays.

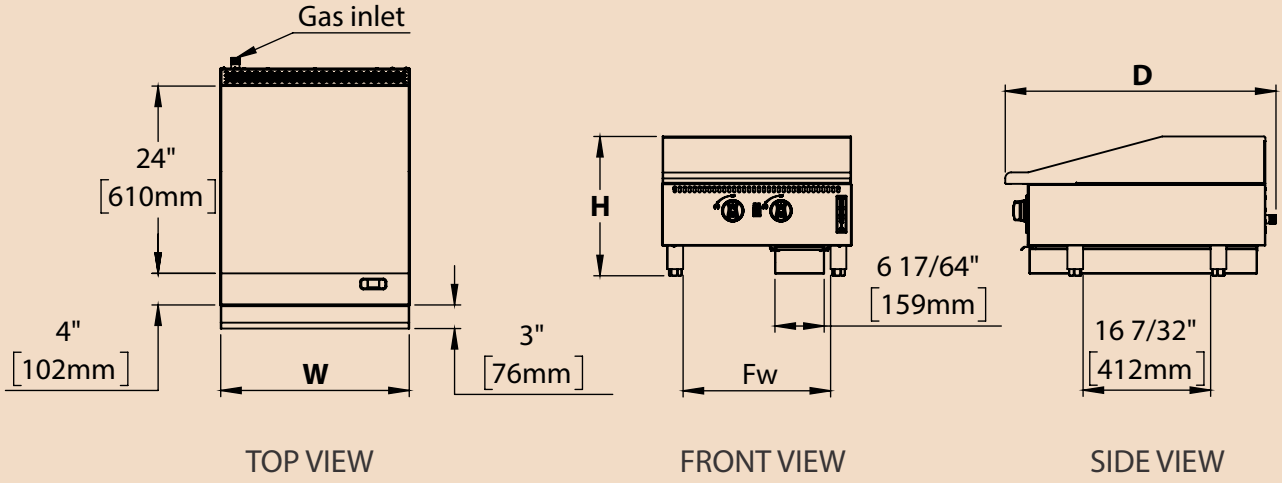
- Adjustable 4" chrome-plated steel legs.
- Sides with double wall insulation.

### STANDARD ACCESSORIES

- Installation kit (pressure regulating valve).
- Propane gas (LP) conversion kit.

### OPTIONS & ACCESSORIES

- Chrome-plated cooking surface.
- Full or partially grooved griddle plate.
- Stainless steel stand (with or without tray).
- Cabinet with door or open cabinet.
- Condiment rail and cutting board.



Model	Exterior Product Dimensions & Weight					Shipping Crate Dimensions & Weight			
	Width (W)	Depth (D)	Height (H)	Fw	Weight	Width	Depth	Height	Weight
<b>R18CT - 18G</b>	18" (457 mm)	34" (864 mm)	17 23/32" (450 mm)	33 1/4" (336 mm)	212 lb (96 kg)	24" (610 mm)	37 13/32" (950 mm)	22 27/32" (580 mm)	251 lb (114 kg)
<b>R24CT - 24G</b>	24" (610 mm)	34" (864 mm)	17 23/32" (450 mm)	19 1/9" (489 mm)	251 lb (114 kg)	28 1/16" (715 mm)	37 13/32" (950 mm)	22 27/32" (580 mm)	298 lb (135 kg)
<b>R36CT - 36G</b>	36" (915 mm)	34" (864 mm)	17 23/32" (450 mm)	31 1/4" (794 mm)	355 lb (161 kg)	40 1/32" (1020 mm)	37 13/32" (950 mm)	22 27/32" (580 mm)	414 lb (189 kg)
<b>R48CT - 48G</b>	48" (1220 mm)	34" (864 mm)	17 23/32" (450 mm)	43 1/4" (1099 mm)	452 lb (207 kg)	52 1/16" (1325 mm)	37 13/32" (950 mm)	22 27/32" (580 mm)	525 lb (240 kg)
<b>R60CT - 60G</b>	60" (1525 mm)	34" (864 mm)	17 23/32" (450 mm)	26 21/32" (677 mm)	569 lb (258 kg)	64 1/16" (1630 mm)	37 13/32" (950 mm)	22 27/32" (580 mm)	646 lb (293 kg)
<b>R72CT - 72G</b>	72" (1830 mm)	34" (864 mm)	17 23/32" (450 mm)	32 41/64" (829 mm)	772 lb (332 kg)	76 1/16" (1935 mm)	37 13/32" (950 mm)	22 27/32" (580 mm)	814 lb (369 kg)

## UTILITY INFORMATION

GAS SUPPLY					
MODEL	BURNERS	PROPANE	NATURAL	MANIFOLD PRESSURE	
		BTU/h	BTU/h	PROPANE GAS	NATURAL GAS
R18CT - 18G*	3	36,600	36,600	10" W.C	4" W.C
R24CT - 24G	2	43,000	43,000		
R36CT - 36G	3	64,500	64,500		
R48CT - 48G	4	86,000	86,000		
R60CT - 60G	5	107,500	107,500		
R72CT - 72G	6	129,000	129,000		

\*12,200 BTU/h per burner

## SPECIFICATIONS

- 3/4" NPT rear gas connection and pressure regulator for both natural gas and propane.
- Check the altitude specifications above 2,000 ft.
- Specify the type of gas when ordering.

## INSTALLATION INSTRUCTIONS

The gas line connecting to the appliance must be 3/4" or larger. If flexible connectors are used, the inside diameter must be 3/4" or larger. An adequate ventilation system is required for commercial cooking equipment. Intended for commercial use only, not for household use. Check local codes for fire, installation, and sanitary regulations. Information may be obtained by writing to the National Fire Protection Association, 1 Batterymarch Park, Quincy, MA 02269, [www.NFPA.org](http://www.NFPA.org). When writing, refer to NFPA No. 96.4. These units are manufactured for installation in accordance with ANSI Z223.1A (latest edition), National Fuel Gas Code. Copies may be obtained from The American Gas Association, 400 N Capitol St. NW, Washington, DC 20001, [www.AGA.org](http://www.AGA.org).

Venancio continuously improves the design of its products, therefore reserves the right to change specifications at any time without prior notice. Such revisions do not entitle the buyer to corresponding changes, improvements, additions or replacements for previously purchased equipment.