



A family company manufacturing in the USA

www.glastender.com



CS1FB60  
Stainless steel doors, and top



Intertek Intertek

4004503

Conforms to NSF/ANSI STD 7 and UL STD 471  
Certified to CSA STD C22.2 No. 120  
Listed as NSF Standard 7  
for open food as a storage refrigerator

Intended for indoor use.

**Standard Features**

- Self-contained
- Stainless steel interior
- Locking doors
- LED interior lighting
- Heated mullion to minimize condensation
- Evaporator above compressor compartment to maximize storage capacity
- Three adjustable, coated-wire shelves per door section

Project: _____	AIA# _____
Item #: _____ Qty: _____	SIS# _____
Model #: _____	

**Coolers**  
**Shallow Depth, One Zone,**  
**Front Serviced, Bar Profile**

<b>CS1FB</b>	CS1FB52, CS1FB60, CS1FB72, CS1FB84
--------------	---------------------------------------



**Configurable Options**

- Temperature:**
- Beer/Food - 34°F to 40°F
  - White wine - 50°F to 55°F
  - Red wine - 60°F to 65°F
- Refrigeration Compartment Location:**
- Left or Right
- Refrigeration Compartment Cover Finish:**
- Black vinyl-clad
  - Unlaminated
  - Stainless steel
  - Jeweled stainless
  - Laminated
- Door Style & Finish (specify per door section):**
- Black vinyl-clad
  - Stainless steel
  - Jeweled stainless
  - Laminated
  - Unlaminated
  - Glass, black vinyl-clad
  - Glass, stainless steel
  - Glass, jeweled stainless
  - Glass, laminated
- Door Hinge Location (specify for each door):**
- Left or Right
- Door Handle:**
- Signature
  - Pull-tab
  - Tube
- Top Style:**
- No finished top
  - Stainless top
- Left and Right Side Finish:**
- Black vinyl-clad
  - Stainless steel
- Back Finish:**
- Galvanized steel
  - Stainless steel
- LED Lighting Style:**
- Bright white (7,000k)
  - Warm white (3,500k)
  - Amber (2,700k)
  - Blue

<p><b>Glastender, Inc.</b> • 5400 N Michigan Rd • Saginaw, MI • 48604-9780 989.752.4275 • 800.748.0423 • Fax 989.752.4444 www.glastender.com</p>	Approval/Notes:
<p>Specifications subject to change without notice. For current specifications please visit our website.</p>	

# Coolers - Shallow Depth, One Zone, Front Serviced, Bar Profile

## Specifications

		CS1FB52	CS1FB60	CS1FB72	CS1FB84
Dimensions	Length	52"	60"	72"	84"
	Number of Sections	2	2	3	3
	Door Opening	16"	20"	16"	20"
Electrical	Electrical Supply	120V, 1 phase, 60 Hz, dedicated 15A circuit required			
	Full Load Amps	3.5	3.5	3.5	3.5
	Plug Type	8 foot NEMA 5-15P grounded cord and plug which exits the back of refrigeration compartment*			
Refrigeration	Refrigerant	R290 - 125 grams, 4.41 oz., 0.28 pounds			
	Compressor	Reciprocating, 1/6 HP, 1300 BTUH, 0.11 Tons			
	Heat Rejection	1430 BTUH			
Operating Range		34°F (1°C) to 40°F (4°C)			
Plumbing		Automatic condensate evaporator; no drain connection required †			
Weight Bearing Capacity		Countertops and other accessories should not exceed 500 pounds per door			

### Materials

- Stainless steel parts include: exterior sub-top, interior, front of cabinet, hinges, hinge and lock brackets, and optional legs
- Black vinyl-clad steel parts include: standard sides, doors and compressor cover
- Galvanized steel parts include: back and bottom



5-15P

† Building conditions outside the guidelines of ASHRAE 55 and ASHRE 62.1 may need to be plumbed to a drain.

## Capacities

	CS1FB52	CS1FB60	CS1FB72	CS1FB84
12 oz. bottles, cases	8.1	10.6	12.8	16.6
750ml wine bottles	77	102	121	162
1/2 barrel kegs	N/A	N/A	N/A	N/A
1/6 barrel kegs	N/A	N/A	N/A	N/A
<b>Capacity values below are per door/drawer section (750ml wine bottles)</b>				
Drawers	N/A	N/A	N/A	N/A
Upright pull-out	N/A	N/A	N/A	N/A
Horizontal pull-out	N/A	N/A	N/A	N/A
Combo pull-out	N/A	N/A	N/A	N/A

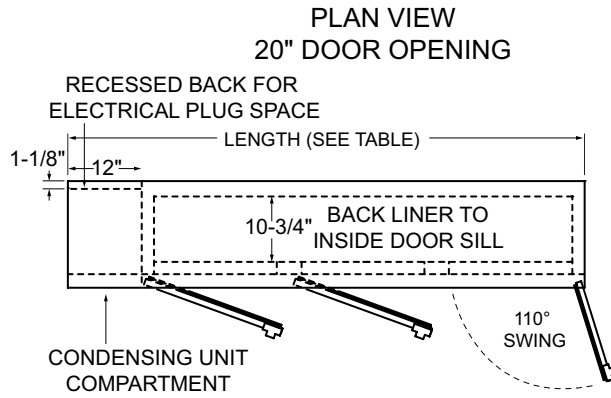
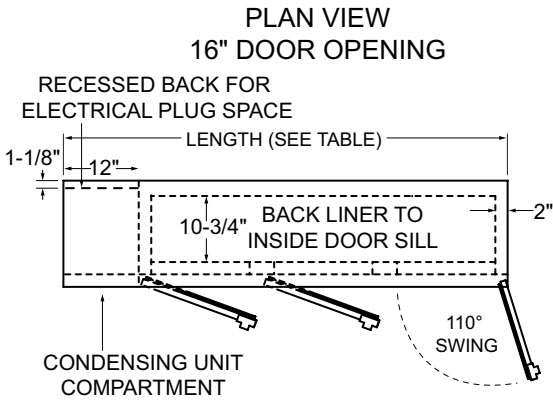


5400 N Michigan Rd • Saginaw, MI • 48604-9780  
 989.752.4275 • 800.748.0423 • Fax 989.752.4444  
 www.glastender.com

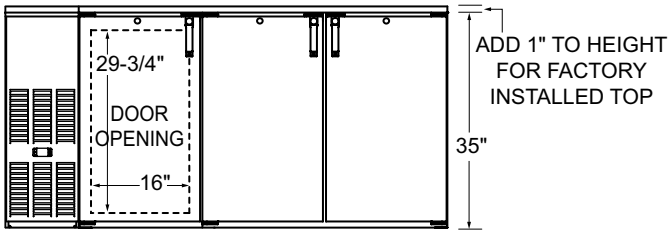
Printed in USA

# Coolers - Shallow Depth, One Zone, Front Serviced, Bar Profile

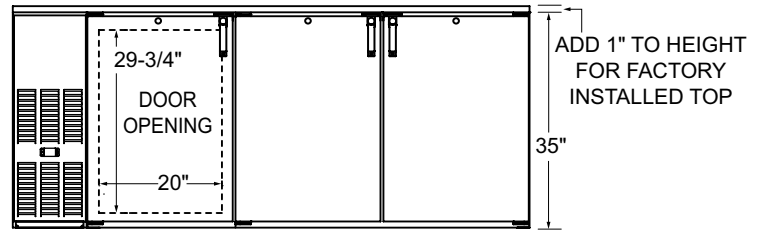
## Drawings



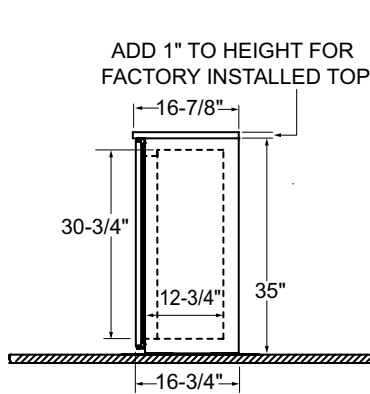
**FRONT VIEW 16" DOOR OPENING**



**FRONT VIEW 20" DOOR OPENING**

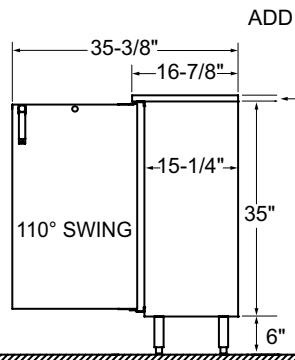


**SIDE VIEW**

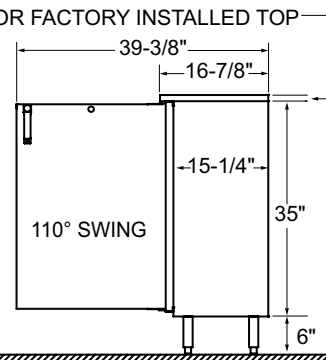


**STANDARD CABINET**

**SIDE VIEW 16" DOOR OPENING**

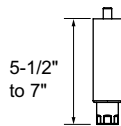


**SIDE VIEW 20" DOOR OPENING**

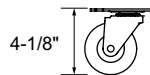


**SHOWN WITH OPTIONAL 6" LEGS**

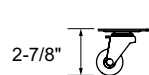
### OPTIONAL LEGS AND CASTERS



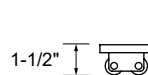
**6" LEG**



**4-1/8" CASTER**



**2-7/8" CASTER**



**1-1/2" CASTER**



5400 N Michigan Rd • Saginaw, MI • 48604-9780  
989.752.4275 • 800.748.0423 • Fax 989.752.4444  
www.glastender.com