

Cleveland

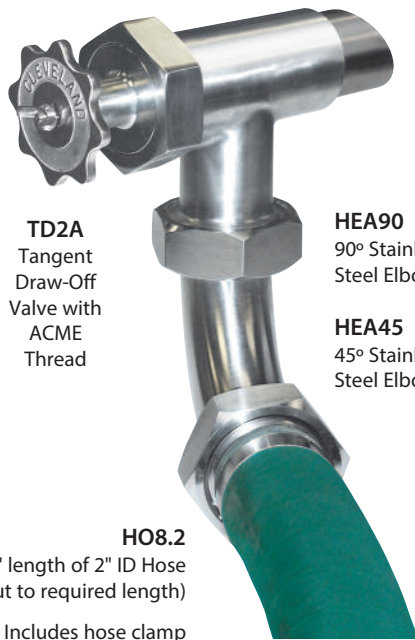
2" TANGENT DRAW OFF VALVE WITH DRAIN HOSE ASSEMBLY

Project _____
Item _____
Quantity _____
FCSI Section 11400 _____
Approved _____
Date _____

Options & Accessories

Models

- TD2A90 • TD2A45 • TD3A45 • TD3A90



TD2A
Tangent
Draw-Off
Valve with
ACME
Thread

HEA90
90° Stainless
Steel Elbow

HEA45
45° Stainless
Steel Elbow

HO8.2
8' length of 2" ID Hose
(cut to required length)
Includes hose clamp



Standard Features

- Used to connect Cleveland Range Kettles that have offset Tangent Draw-Off Valves to existing center positioned drains
- Used to connect Cleveland Kettles to remote drain locations

* TD2A90 Includes:

- 90° Stainless Steel Elbow (HEA90)
- 8' length of 2" ID Hose (HO8.2) (cut to required length)
- Hose Clamp

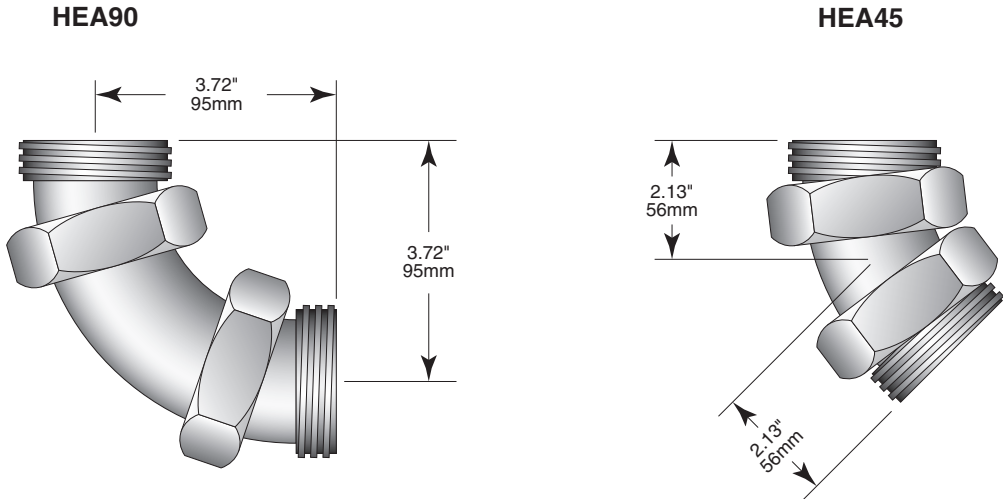
* TD2A45 Includes:

- 45° Stainless Steel Elbow (HEA45)
- 8' length of 2" ID Hose (HO8.2) (cut to required length)
- Hose Clamp

*** The TD2A (Tangent Draw-off with Acme Thread) is NOT included and must be purchased/configured on kettle at time of purchase. It cannot be replaced, installed, or retro-fitted in the field.**

Cleveland

Options & Accessories



NOTES:
Cleveland Range reserves right of design improvement or modification, as warranted.
Many regional, state and local codes exist and it is the responsibility of the owner and installer to comply with the codes.
Installation of backflow preventers, vacuum breakers and other specific code requirements is the responsibility of the owner and installer.
Cleveland Range equipment is built to comply with applicable standards for manufacturers. Included among those approval agencies are U.L., A.G.A., NSF, ASME/N.Bd., CSA, CGA, ETL and others. (NOT TO SCALE)