



PSC-66L
 shown with 01001500
 slide-out chemical bottle rack



PSC-78R
 shown with 01001500
 slide-out chemical bottle rack



Intertek
 4004503

Conforms to NSF/ANSI STD 2
 Certified to CSA STD B45.4

⚠ WARNING: The plastic wet waste strainer included with this product can expose you to chemicals including Bisphenol A (BPA), which is known to the State of California to cause birth defects or other reproductive harm. For more information, go to www.P65Warnings.ca.gov. **Part #03000483**
Warning applies to State of California only.

Project: _____	AIA# _____
Item #: _____ Qty: _____	SIS# _____
Model #: _____	

Complete Pass-thru Stations

PSC	PSC-66L, PSC-66R, PSC-78L, PSC-78R
------------	------------------------------------

Standard Features

- Pass thru ice bin (84lb capacity)
- Two wet waste waste sinks (9-1/4" by 11-1/2" by 6" deep bowls) with sink strainers
- Gooseneck faucet
- Server-side, removable stainless steel dry waste receptacle (5 gallon capacity)
- Stainless steel, draining tray shelf with removable perforated inserts
- GW24 glasswasher with bi-fold cover
- PSC-78 includes eight bottle insulated storage well

Configurable Options

- Stainless or laminated front/end panels
- Leftward or rightward workflow for the bartender (designated with L or R in model number)
- Full single or double speedrail, or combined blender shelf with double speedrail
- Soda manifold housing with soda gun holders or tubing chase
- Ten-circuit sealed cold plate

Accessories

SOS/SS-66	66" stainless steel single overshelf
DOS/SS-66	66" stainless steel double overshelf
SOS/SS-78	78" stainless steel single overshelf
DOS/SS-78	78" stainless steel double overshelf
IBD-H-CS32	Ice bin divider, half
02006635	Three piece, sliding, ice bin cover
CCD/T	Clip-on condiment dispenser
03000509	Sneeze guard
01001500	Slide-out chemical bottle rack
01001601	Rack divider, two-piece assembly

Underbar installation instructions: <https://www.glastender.com/support/documents/manuals/underbar-installation-instructions>
 Cleaning & care instructions: <https://www.glastender.com/support/documents/manuals/general-cleaning-and-care-instructions-for-stainless-steel>

Glastender, Inc. • 5400 N Michigan Rd • Saginaw, MI • 48604-9780 989.752.4275 • 800.748.0423 • Fax 989.752.4444 www.glastender.com	Approval/Notes:
Specifications subject to change without notice. For current specifications please visit our website.	

PSC - Complete Pass-thru Stations

Specifications

GW24 Glasswasher

- See GW24 Glasswasher spec sheet

Ice Bin

- 15" by 28" by 10-1/2" deep

Ice Bin Drain

- No coldplate: 1-1/2" tailpiece
- Coldplate: 1/2" MPT

Bottle well drain (PSC-78 models)

- 1-1/2" tailpiece

Sink Bowls

- 9-1/4" by 11-1/2" by 6" deep

Sink Drains

- 1-1/2" I.P.S.

Tube Chase (optional)

- 4" by 8" by 6-1/2" high

Sneeze Guard (optional)

- 17-1/4" by 27-1/2" by 10" high

Tray and Overshelf (optional) Drains

- 1/2" tailpiece

Blender Shelf/Double Speed Rail (optional)

- PCS-66 models: 24" long by 10" double speed rail (12 bottle capacity) with 16" long by 10" blender shelf
- PCS-78 models: 36" long by 10" double speed rail (18 bottle capacity) with 16" long by 10" blender shelf

Full Double Speed Rail (optional)

- PSC-66 models: 40" long by 10" double speed rail (20 bottle capacity)
- PSC-78 models: 52" long by 10" double speed rail (26 bottle capacity)

Full Single Speed Rail (optional)

- PSC-66 models: 40" long by 5" double speed rail (10 bottle capacity)
- PSC-78 models: 52" long by 5" double speed rail (13 bottle capacity)

Faucet

- On 4" centers, accepts 3/8" sink leads, hot and cold water connections required

Cold Plate (optional)

- Ten circuit
- Connection is 5/16" O.D. stainless steel tubing with swaged end

Shelf Heights

- Tray shelf: 44"
- Single overshelf (optional)...69"
- Double overshelf (optional)...63" and 72"

Recommendations

- Provide 12" by 12" open floor drain (safe waste) under ice bin - consult local codes
- Provide 120V, 20 AMP, four-plex electrical outlet below ice bin for appliances such as blenders, carbonators, dispensers, etc.

Materials

- 22 gauge stainless steel parts include: ice bin exterior sides, back, and bottom
- 20 gauge stainless steel parts include: all components unless otherwise noted
- 18 gauge stainless steel parts include: glasswasher floor and tank, dry waste receptacle
- 16 gauge stainless steel parts include: leg mounting brackets and legs, kick rail
- 14 gauge stainless steel parts include: blender shelf ends and double speed rail ends
- 11 gauge stainless steel parts include: glasswasher conveyor drive wheel
- PVC speed rail step and rail covers
- Laminated wooden front and end panels (optional)
- 1/4" clear acrylic sneeze guard (optional)

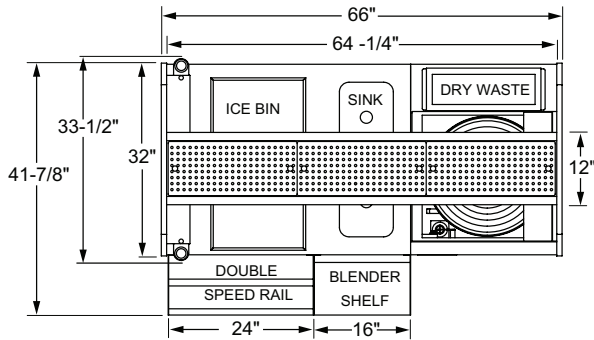


PSC - Complete Pass-thru Stations

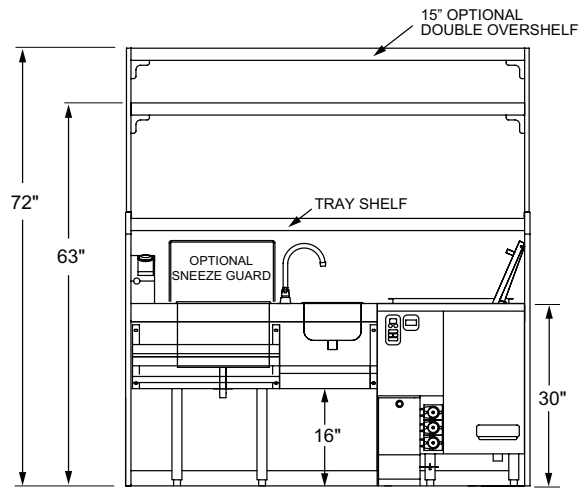
Drawings

PLAN VIEWS

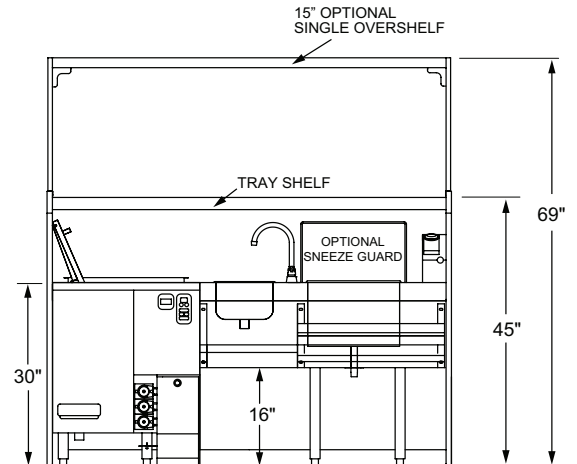
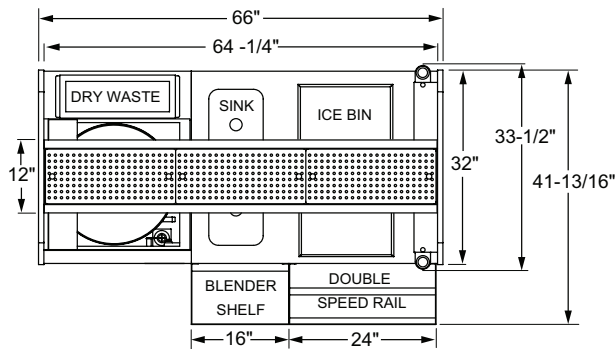
PSC-66R



BARTENDER SIDE ELEVATION



PSC-66L

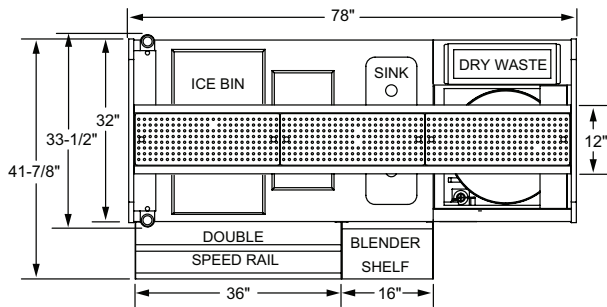


PSC - Complete Pass-thru Stations

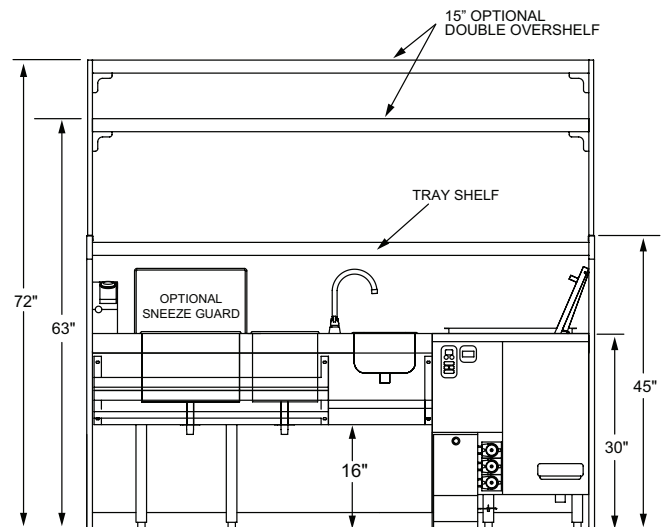
Drawings

PLAN VIEWS

PSC-78R



BARTENDER SIDE ELEVATION



PSC-78L

