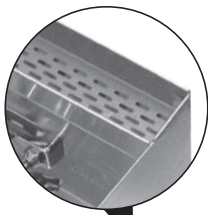




7-PS-40



7-PS-66
 7-PS-66-NF (Faucet Not Included)



Includes
 Removable
 Rear
 Utility Tray



7-PS-76



7-PS-66W



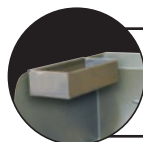
7-PS-66L
 or 7-PS-66R (Shown)



7-PS-87



7-PS-56 **SPACE SAVER**
 9" x 9" x 5" Bowl



REMOVABLE UTILITY TRAY 7-PS-48
 8" x 3" x 2 5/16" Tray - Tray hem allows to hang from any standard side splash. Perforated for water drainage.

Item #:	_____	Qty #:	_____
Model #:	_____		
Project #:	_____		

STANDARD FEATURES:

One piece **Deep Drawn** sink bowl design.
 Sink bowl is 10" x 14" x 5".
 Stainless steel basket drain 1-1/2" IPS.
 Splash mounted 4" O.C. gooseneck faucet furnished with aerator.

7-PS-40 & 7-PS-66 Series Specific Features:

Welded 7 3/4" high side splashes.
7-PS-66W includes K-316 Wrist Handle Faucet
7-PS-40 lever operated drain and built-in overflow with plastic overflow tube and spring clamps. P-Trap is 1 1/2" IPS.

7-PS-56 Specific Features:

Space Saver Sink bowl is 9" x 9" x 5".
 7 3/4" high side splashes.

7-PS-76 Specific Features:

12" high side splashes.
 Includes 17 1/4" x 3" x 2 5/16" Full length removable Utility Tray for use with 12" Side Splash Units.
 Lever operated drain and built-in overflow with plastic overflow tube and spring clamps. P-Trap is 1 1/2" IPS.

7-PS-87 Specific Features:

Same features as 7-PS-40 Plus C-Fold Paper Towel & Soap Dispenser and Wrist Handle Faucet.

CONSTRUCTION:

All TIG welded.
 Welded areas blended to match adjacent surfaces and to a satin finish.
 Die formed Countertop Edge with a 3/8" No-Drip offset.
 One sheet of stainless steel - No Seams.
 All sink bowls have a large liberal radii with a minimum dimension of 2" and are rectangular in design for increased capacity.

MATERIAL:

Heavy gauge type 304 series stainless steel.
 Wall mounting bracket is galvanized and of offset design.
 All fittings are brass / chrome plated unless otherwise indicated.

MECHANICAL:

Faucet supply is 1/2" IPS male thread hot and cold.
Faucet Flow Rate: 1.0 GPM/3.8 LPM aerator. 60 PSI.

WARNING:
 Equipment that includes a faucet may expose you to chemicals, including lead, that are known to the State of California to cause cancer or birth defects or other reproductive harm. For more Info., visit www.p65warnings.ca.gov.

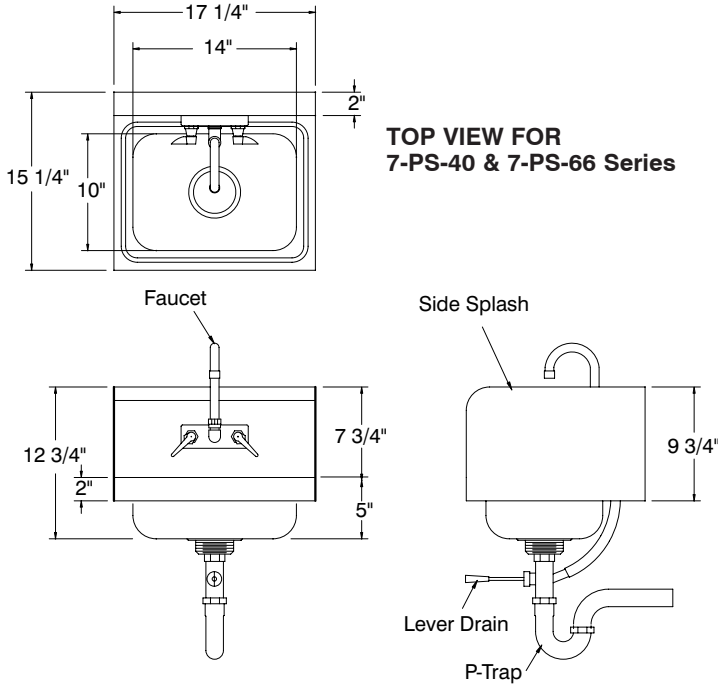
DIMENSIONS and SPECIFICATIONS

TOL Overall: ± .500" Interior: ± .250"

FITTINGS SUPPLIED AS SHOWN

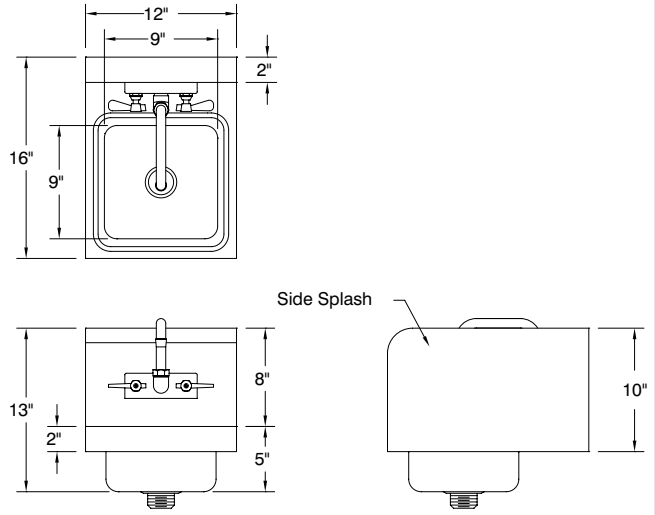
ALL DIMENSIONS ARE TYPICAL

7-PS-40, 7-PS-66, 7-PS-66-NF, 7-PS-66W & 7-PS-66RorL
(7-PS-66 Series Excludes P-Trap & Lever Drain & Overflow)



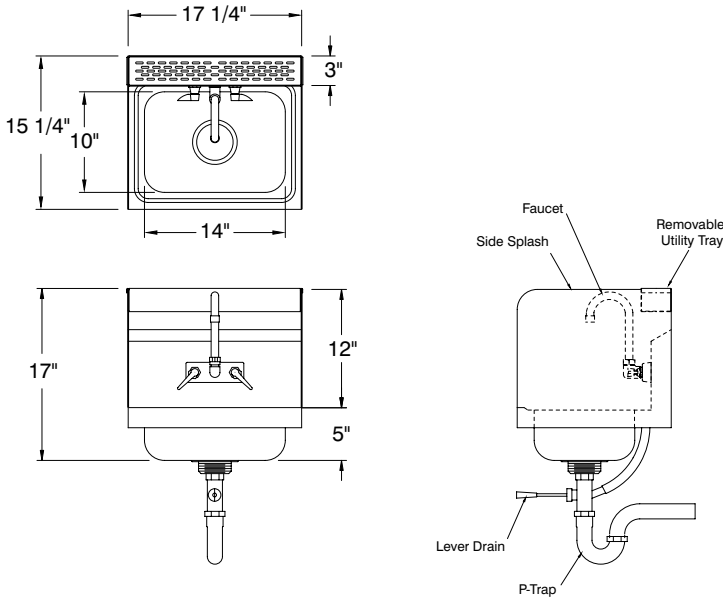
7-PS-40 - 22 lbs. 7-PS-66W - 22 lbs.
7-PS-66 - 19 lbs. 7-PS-66RorL - 20 lbs.
7-PS-66-NF - 19 lbs.

7-PS-56



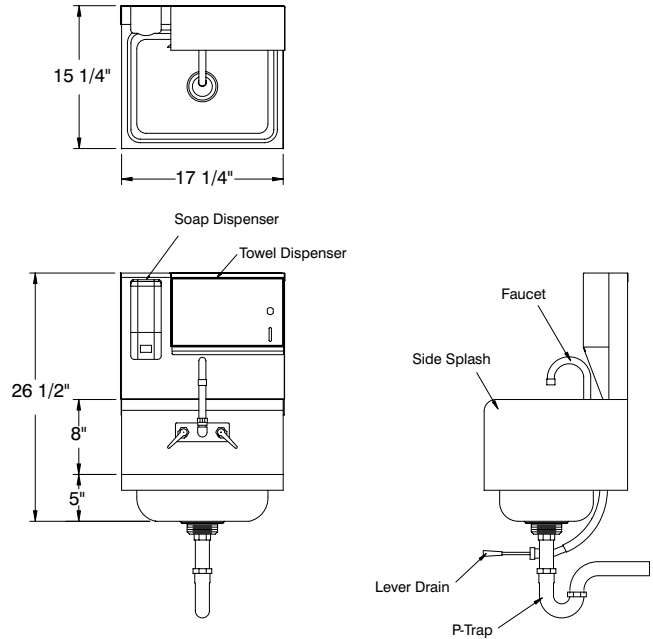
14 lbs.

7-PS-76



27 lbs.

7-PS-87



34 lbs.

