

Project: _____

Item: _____

Quantity: _____

Aluminum Tables - Poly Top



Solid Poly Top



Solid Poly Top
With Undershelf



Solid Poly Top
with Backsplash & Undershelf

Increase your work space with this poly top, aluminum base, commercial work table.

Great for chopping, sorting, and assembling, this work table provides a sturdy, spacious surface for food prep and storage. With its high weight capacity, easy-to-clean surface, and overall functional design, you can organize your kitchen to create an efficient work flow.

This commercial table features a heavy duty aluminum base with a 5/8" thick removable poly top that makes it ideal for slicing, dicing, and chopping without dulling your knives. This table is more than capable of handling your daily prep tasks like pressing burger patties, chopping vegetables, or working with dough. Durable and easy to clean, poly tops are easily removed for deep cleaning.

Optional aluminum undershelves are available for additional storage space. You can store your most used supplies as well as flour, sugar, and more on this shelf to keep it all organized and within your reach.

- Shipped knocked down for freight savings. Easily assembles with tool provided.
- Five-Year Guarantee against material defects and workmanship.
- Lifetime Guarantee against rust and corrosion.
- NSF Certified.



Table Frame is designed to accommodate optional accessories (sold separately):
Boat rack, drawer, back splash and undershelf.



New Age Industrial Corp., Inc. || NewAgeIndustrial.com || Made in the USA

PO Box 520 • 16788 US Hwy 36 • Norton, Kansas 67654 || Phone: (800) 255-0104 • (785) 877-5121 || Fax: (877)-877-7687 • (785) 877-2616

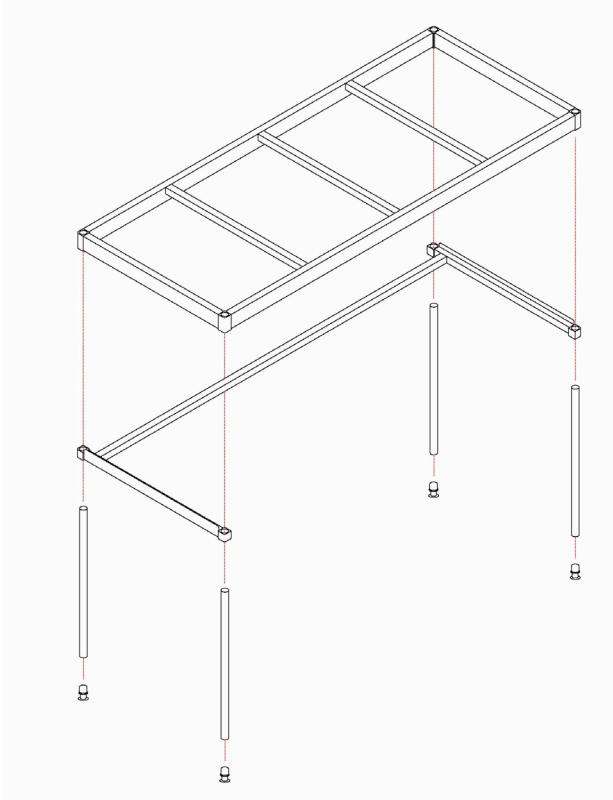
This information is for general sales and engineering use only. New Age Industrial reserves the right to modify or make changes at any time, without notice, to materials and specifications.

Project: _____

Item: _____

Quantity: _____

Aluminum Tables - Poly Top



- Framework is constructed of 1 1/2" x 1 1/2" x .070" wall tubing.
- Front and back of the top has 1 1/2" x 3 1/8" x .070" wall tubing.
- Table legs are constructed of 1 5/8" diameter pipe.
- Table tops are constructed of 5/8" thick HDPE.
- Each table comes equipped with a mounting bracket for boat racks.
- Equipped with four adjustable feet.
- Five-Year Guarantee against material defects and workmanship.
- Lifetime Guarantee against rust and corrosion.
- NSF Certified.

6" Backsplash

Optional 14-gauge stainless steel 6" backsplash helps protect your walls and floors from accidental spills; Helping to maintain a clean and safe work environment. It also gives you that extra assurance that your blender, food processor, or any other small, light-weight piece of equipment won't fall off the back of the work surface.

► Poly Top Tables

Model No.	Size D-H-L	Weight Capacity	Ship Lbs.	Model No.	Size D-H-L	Weight Capacity	Ship Lbs.	Model No.	Ship Lbs.
Solid PolyTop -- No Backsplash				Poly Top With 6" Stainless Steel Backsplash				Undershelf	
24P36KD	24" x 35 1/2" x 36"	1500 lbs	50	24PBS36KD	24" x 35 1/2" x 36"	1500 lbs.	60	24US36KD	8
24P48KD	24" x 35 1/2" x 48"	1500 lbs	59	24PBS48KD	24" x 35 1/2" x 48"	1500 lbs	68	24US48KD	11
24P60KD	24" x 35 1/2" x 60"	1500 lbs	73	24PBS60KD	24" x 35 1/2" x 60"	1500 lbs	73.5	24US60KD	14
24P72KD	24" x 35 1/2" x 72"	1500 lbs	86	24PBS72KD	24" x 35 1/2" x 72"	1500 lbs	101	24US72KD	17
24P84KD	24" x 35 1/2" x 84"	1500 lbs	99	24PBS84KD	24" x 35 1/2" x 84"	1500 lbs	106	24US84KD	19
24P96KD	24" x 35 1/2" x 96"	1500 lbs	106	24PBS96KD	24" x 35 1/2" x 96"	1500 lbs	111	24US96KD	22
30P36KD	30" x 35 1/2" x 36"	1500 lbs	55	30PBS36KD	30" x 35 1/2" x 36"	1500 lbs	60	30US36KD	10
30P48KD	30" x 35 1/2" x 48"	1500 lbs	71	30PBS48KD	30" x 35 1/2" x 48"	1500 lbs	85	30US48KD	13
30P60KD	30" x 35 1/2" x 60"	1500 lbs	80	30PBS60KD	30" x 35 1/2" x 60"	1500 lbs	97	30US60KD	17
30P72KD	30" x 35 1/2" x 72"	1500 lbs	100	30PBS72KD	30" x 35 1/2" x 72"	1500 lbs	108	30US72KD	20
30P84KD	30" x 35 1/2" x 84"	1000 lbs.	104	30PBS84KD	30" x 35 1/2" x 84"	1000 lbs.	120	30US84KD	23
30P96KD	30" x 35 1/2" x 96"	1000 lbs.	115	30PBS96KD	30" x 35 1/2" x 96"	1000 lbs.	132	30US96KD	27



New Age Industrial Corp., Inc. || NewAgeIndustrial.com || Made in the USA

PO Box 520 • 16788 US Hwy 36 • Norton, Kansas 67654 || Phone: (800) 255-0104 • (785) 877-5121 || Fax: (877)-877-7687 • (785) 877-2616

This information is for general sales and engineering use only. New Age Industrial reserves the right to modify or make changes at any time, without notice, to materials and specifications.