



IB-38X24-CP10

Project: _____	AIA# _____
Item #: _____ Qty: _____	SIS# _____
Model #: _____	

Pass Thru Ice Bins

IB-38X24, IB-38X24-CP10

Standard Features

- All stainless steel construction
- PVC plastic breaker strip around ice bin liner: creates 5/16" raised edge around liner, acts as thermal barrier to prevent heat transfer, and makes the covers slide easier.
- Sliding stainless steel covers
- Eco friendly foamed-in-place insulation has zero impact on global warming or ozone depletion
- Adjustable stainless steel bullet feet
- Available with ten circuit cold plate (add suffix '-CP10' to model number)
- Bartender and cocktail server access

Specifications

Drain

- Non-cold plate model: 1-1/2" tailpiece
- Ten circuit cold plate models '-CP10': 3/4" MPT

Cover

- Three-piece sliding cover, 20 gauge stainless steel, included with all models

Cold Plate

- Available with ten circuit cold plate
- Connection is 5/16" O.D. stainless steel tubing with swaged end

Liner Depth

- 10-1/2" on non-cold plate and 2-circuit cold plate models
- See back for depth detail on 10-circuit cold plate models

Ice Capacity

- 175 lbs

Legs

- 1-5/8" diameter, 16 gauge stainless steel
- Stainless steel bullet feet

Materials

- 20 gauge stainless steel
- PVC plastic breaker strip around opening of ice bin liner

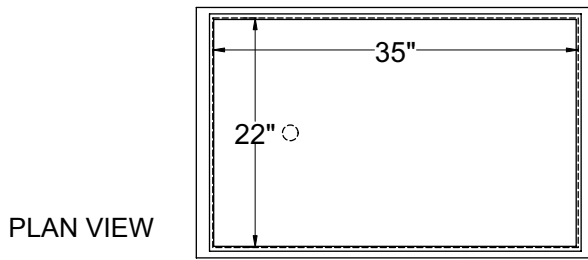
Underbar installation instructions: <https://www.glastender.com/support/documents/manuals/underbar-installation-instructions>

Cleaning & care instructions: <https://www.glastender.com/support/documents/manuals/general-cleaning-and-care-instructions-for-stainless-steel>

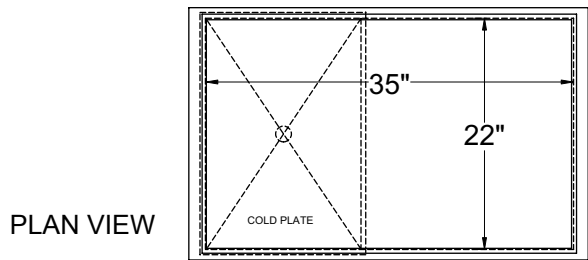
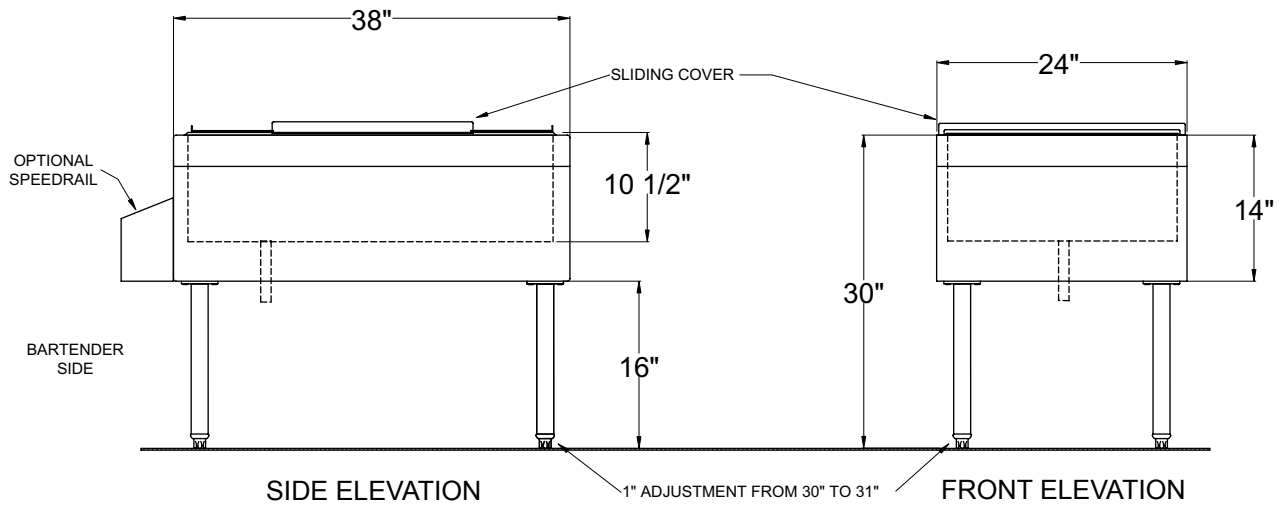
Glastender, Inc. • 5400 North Michigan Road • Saginaw, MI • 48604-9780 989.752.4275 • 800.748.0423 • Fax 989.752.4444 www.glastender.com	Approval/Notes:
Specifications subject to change without notice. For current specifications please visit our website.	

Pass Thru Ice Bins

Dimensional Information



Model: IB-38X24



Model: IB-38X24-CP10

