



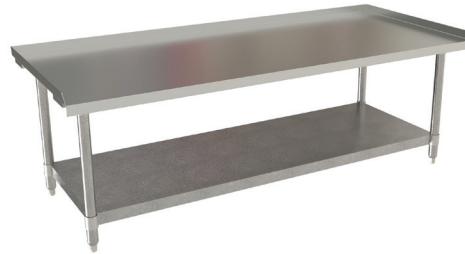
Economy Equipment Stands

Stainless Steel Equipment Stands



Use your smart phone to scan the above QR code to visit our website:
www.bk-resources.com

Certifications:



Features:

- Top Reinforced with 4 1/2" x 3/4" Support Channels
- 3 Sided 1 1/2" Riser w/ Hemmed Edge
- Adjustable Undershef
- Work Surface Height 23"

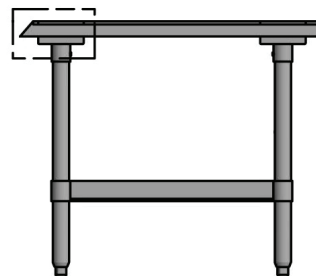
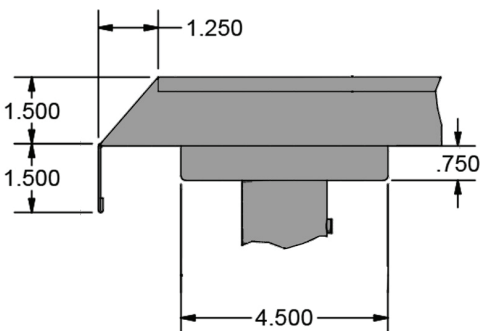
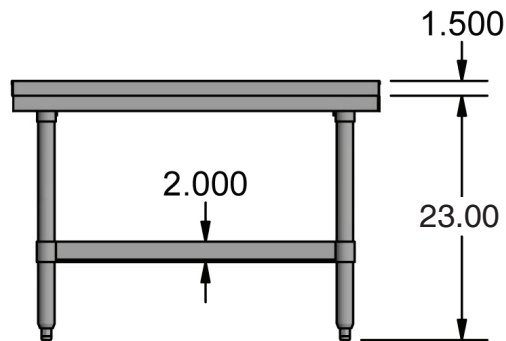
Material:

- T-430 18 ga. Stainless Steel Top
- Galvanized Adjustable Undershef And 1-5/8" Legs
- Adjustable Stainless Steel Feet

Options:

- Casters
- Upgraded Bullet Feet
- Extra Shelves

Part Number	Size: (l x w x h)	Product Weight (lbs)	Shelf Capacity	Top Capacity
EETS-1530	15" x 30" x 23"	30.00	400	540
EETS-1830	18" x 30" x 23"	35.00	400	540
EETS-2430	24" x 30" x 23"	35.00	400	540
EETS-3630	36" x 30" x 23"	46.00	400	540
EETS-4830	48" x 30" x 23"	60.00	300	540
EETS-6030	60" x 30" x 23"	73.00	150	540
EETS-7230	72" x 30" x 23"	85.00	100	380



PRODUCT DATA SHEET

BK RESOURCES

