

# Cleveland

TRI-LEG, DIRECT STEAM  
STATIONARY, FULL STEAM JACKETED  
30, 40, 60, 80, 100, 125 OR 150, GALLONS  
(110, 150, 225, 300, 375, 475 OR 575 LITERS)

Project \_\_\_\_\_  
Item \_\_\_\_\_  
Quantity \_\_\_\_\_  
FCSI Section 11400 \_\_\_\_\_  
Approved \_\_\_\_\_  
Date \_\_\_\_\_

## Direct Steam Kettles

### Models

- KDL-30-F    • KDL-80-F
- KDL-40-F    • KDL-100-F
- KDL-60-F    • KDL-125-F



Shown with optional Steam Control Kit

- 2" diameter Tangent Draw-off Valve, with Drain Strainer
- 50 psi Steam Jacket Rating on 30 - 60 gal. models, 35 psi Steam Jacket Rating on 80 - 125 gal. models
- 50 psi chrome plated Safety Valve on 30 - 60 gal. models, 35 psi chrome plated Safety Valve on 80 - 125 gal. models
- Condensate Drain Valve with insulated handle
- Faucet Mounting Bracket
- Steam Control Inlet Valves
- Typical approvals include NSF and ASME
- 316 Stainless Steel Interior

### Options & Accessories

- Lift-off Covers (CL)
- Chrome plated Steam Control Kit includes: Steam Traps, Condensate Strainers, Check Valves, nipples and fittings, factory assembled and mounted on kettle (SCK1)
- Hot and Cold Water Faucet, comes with Swing Spout
- 100 psi Pressure Option (PO) (for 125 gallons and larger)
- Cooking Baskets and Tri-Basket Supports (BS and TBS)
- Measuring Strips (MS)
- Gallon Markings (KM)
- Kettle Accessory Kit (KAK) includes:
  - Clean-up Brush (CB)
  - 36" Kettle Paddle (KP)
  - 36" Kettle Whip (KW)
  - 36" Kettle Brush (KB)
  - Draw-off Brush (DB)
  - 24 oz. Ladle (KL)
- Swing Funnels for drain (SF)
- Drain Strainers (DS-)
- Pressure Reducing Valve for regulating incoming steam pressure of over 45 psi (PRV-K)
- Hot and cold, or cold only, Kettle Filler with 60" Hose (DKF-K or SKF-K)
- Automatic Water Cooling\* (AWC-1)
  - \* requires Console Mounting Option
- Automatic Water Meter (GMF gallons or LMF liters)
- Water Meter Stand (SWM)
- 3" diameter Tangent Draw-Off Valve w/Strainer (TD3)
- 3" diameter Butterfly Valve (BV3)
- Pre-Rinse Spray Head and Hose (PRSK)
- Correctional Packages
- Heat Deflector Shield (HS001)

### Short Form Specifications

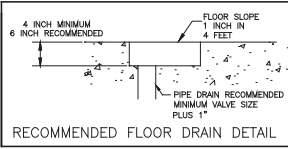
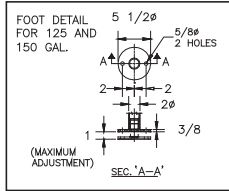
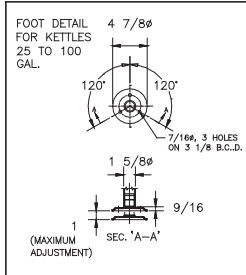
Shall be CLEVELAND, Direct Steam Kettle, Tri-leg, stationary, Model KDL - \_\_\_\_\_ - F. Full Steam Jacketed, 50 psi Steam Jacket Rating on 30 - 60 gallon, 35 psi on 80 gallon and larger. Tri-leg supports to be Stainless Steel. Includes spring-assisted Domed Cover and 2" diameter Tangent Draw-off Valve; heavy re-enforced Rolled Rim. To operate, connect directly to a steam source supplying from 5 to 45 psi on 30 and 40 gallon models; 30 psi on larger models. 316 Stainless Steel Interior.

### Standard Features

- Full Steam Jacketed for faster heating
- Low working height (37.00")
- Tri-leg supports of 15/8" O.D., type 304 Stainless Steel tubular construction, with level adjustable flanged feet for floor bolting
- Kettle and all exterior surfaces are Stainless Steel for ease of cleaning
- Spring-assisted Cover: domed, hinged, one-piece rotatable (not available on KDL-125-F)

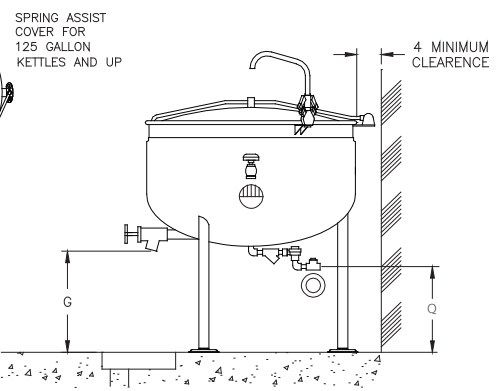
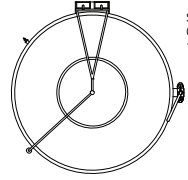
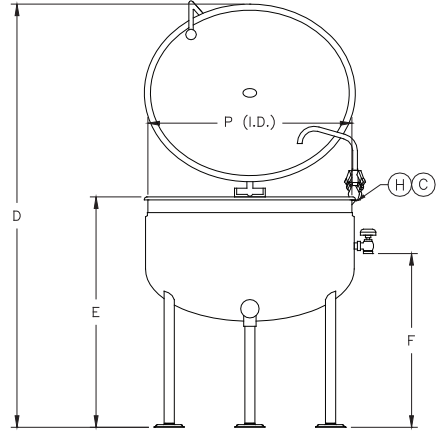
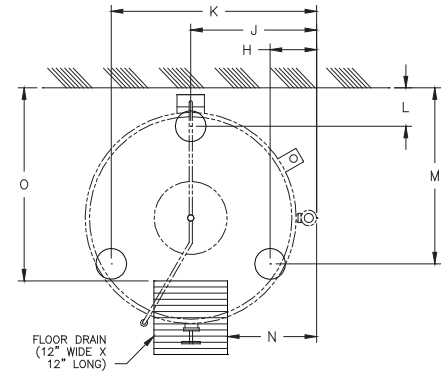
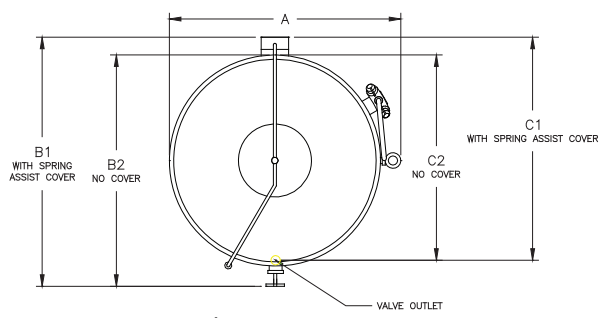
KE004046-51

# Cleveland



**CAPACITIES:** (in 8 oz. servings, other sizes may be calculated.)

30 Gallon / 110 liters	480 servings
40 Gallon / 150 liters	640 servings
60 Gallon / 225 liters	960 servings
80 Gallon / 300 liters	1280 servings
100 Gallon / 375 liters	1600 servings
125 Gallon / 475 liters	2000 servings
150 Gallon / 575 liters	2400 servings



MODEL	STEAM JACKET RATING				DIRECT STEAM	CONDENSATE RETURN	HOT WATER: (H) COLD WATER: (C)	CLEARANCE	SHIPPING WEIGHT
	35 PSI	50 PSI	70 PSI	100 PSI					
KDL-30-F	N/A	STANDARD	N/A	OPTIONAL	3/4" NPT	1/2" NPT	1/2" NPT (DPK) 3/8" COPPER TUBE (SPK)	RIGHT: 0 INCHES LEFT: 0 INCHES REAR: 4 INCHES (MINIMUM)	135 LBS / 63 KG
KDL-40-F									185 LBS / 84 KG
KDL-60-F									205 LBS / 93 KG
KDL-80-F	STANDARD	N/A	OPTIONAL	N/A	1 1/4" NPT	1/2" NPT	1/2" NPT (DPK) 3/8" COPPER TUBE (SPK)	RIGHT: 0 INCHES LEFT: 0 INCHES REAR: 4 INCHES (MINIMUM)	315 LBS / 143 KG
KDL-100-F									360 LBS / 164 KG
KDL-125-F									410 LBS / 186 KG
KDL-150-F	OPTIONAL	N/A	N/A	N/A					490 LBS / 223 KG

NOTE: ALL VERTICAL DIMENSIONS SHOWN ARE MINIMUM. FEET ARE ADJUSTABLE TO 1 INCH MAXIMUM.

## DIMENSIONS

GALS./LITERS	A	B1	B2	C1	C2	D	E	F	G	H	J	K	L	M	N	O	P(I.D.)	Q
30	IN 34.63	38.88	36.13	34.13	31.38	68.00	37.25	28.50	17.38	7.63	19.00	30.5	6.38	26.25	13.00	29.38	29.25	15.38
110	mm 867	987	918	867	797	1727	946	724	441	194	483	775	162	667	330	746	743	391
40	IN 38.13	41.25	38.50	36.50	33.75	71.13	37.13	27.88	15.38	7.88	20.75	33.63	6.38	28.88	14.75	31.75	33.00	13.38
150	mm 968	1048	97.8	927	857	1807	943	708	390	200	527	854	162	733	375	806	838	340
60	IN 40.63	43.13	40.38	38.38	35.63	73.63	37.25	27.50	14.25	8.00	22.00	36.00	6.38	30.75	16.00	33.63	35.50	12.25
225	mm 1032	1095	1028	975	905	1870	946	699	362	203	559	914	162	781	406	854	902	311
80	IN 45.13	46.63	43.50	41.88	38.75	77.50	37.25	26.50	12.00	8.25	24.25	40.25	6.38	34.13	18.25	36.75	40.00	10.00
300	mm 1146	1184	1105	1064	984	1969	946	673	305	210	626	1022	162	867	464	933	1016	254
100	IN 51.00	47.00	43.38	42.00	38.75	82.00	37.00	29.38	9.00	7.88	26.75	45.63	7.25	34.38	20.75	36.75	45.00	9.00
375	mm 1295	1194	1102	1067	984	2083	940	746	229	200	679	1159	184	873	527	933	1143	229
125	IN 53.13	48.88	45.63	44.13	39.25	89.25	39.00	32.75	10.00	8.25	28.25	48.38	7.25	36.88	22.25	37.25	48.00	8.00
475	mm 1349	1241	1159	1121	997	2267	991	832	254	210	718	1229	184	937	565	946	1219	203
150	IN 53.13	48.88	45.63	44.13	39.25	91.25	41.00	32.75	10.00	8.25	28.25	48.38	7.25	36.88	22.25	37.25	48.00	8.00
575	mm 1349	1241	1159	1121	997	2318	1041	832	254	210	718	1229	184	937	565	946	1219	203

## NOTES:

Cleveland Range reserves right of design improvement or modification, as warranted.  
 Many regional, state and local codes exist and it is the responsibility of the owner and installer to comply with the codes.  
 Installation of backflow preventers, vacuum breakers and other specific code requirements is the responsibility of the owner and installer.  
 Cleveland Range equipment is built to comply with applicable standards for manufacturers. Included among those approval agencies are U.L., A.G.A., NSF, ASME/N.Bd., CSA, CGA, ETL and others.

(NOT TO SCALE)

Direct Steam Kettles

760 Beta Drive, Unit D  
 Mayfield Village, Ohio 44143

Tel 1.216.481.4900  
 Fax 1.216.481.3782  
 Email steam@clevelandrange.com

www.clevelandrange.com  
 Section 7, Page 20  
 02 / 2021

Timeless Quality, Trusted For Life®