

Marine Model Ice Cube Machine

Models

IDT1900WM

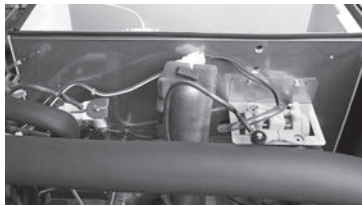
IYT1900WM



iT1900WM series ice machine

Stainless Steel:

- Top Cover
- Side Panels
- Back Panel
- Bulkhead
- Brackets
- Fasteners



Stainless Steel Bulkhead

New Marine model features the Indigo NXT platform, providing 10-15% reductions in energy usage, 10% reduction in potable water usage and 23% reduction in condenser water usage from model.

- **Isolation switch** immediately cuts power to the entire unit.
- **Indigo NXT feature set** including automatic cleaning that returns to the ice making process without manual intervention.
- **Cupra-nickel condenser** adds protection from salt water.
- **Completely sealed unit:** front, back, top and sides.
- Meets **USPHS** specifications.
- All exterior panels made from **High Grade Stainless Steel**.



Need a Marine Bin?

Please contact the Manitowoc Ice sales department for details.



Model Shown
IBW-M5 Marine Bin



Isolation switch

Ice Shape

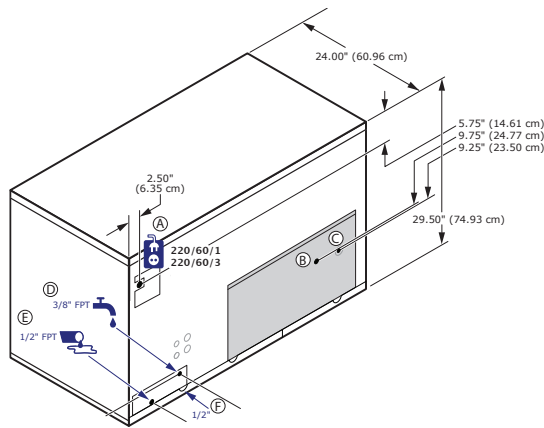


Half Dice
3/8" x 1 1/8" x 7/8"
(0.95 x 2.86 x 2.22 cm)



Dice
7/8" x 7/8" x 7/8"
(2.22 x 2.22 x 2.22 cm)





- Ⓐ Electrical Entrance (2) Options
- Ⓑ 1/2" (1.27 cm) F.P.T. Water Condenser Outlet (water-cooled units)
- Ⓒ 3/8" (0.95 cm) F.P.T. Water Condenser Inlet (water-cooled units)
- Ⓓ 3/8" (0.95 cm) F.P.T. Ice Making Water Inlet
- Ⓔ 1/2" (1.27 cm) F.P.T. Ice Making Water Drain
- Ⓕ 1/2" (1.27 cm) Auxillary Base Drain Socket

Marine Model Ice Cube Machine

Series iT1900 Operating Limits:

- Ambient Temperature Range:
40 to 110 °F (4.4 to 43.3 °C)
- Water Temperature Range:
Potable water: 40 to 90 °F (4.4 to 32.3 °C)
- Water Pressure Ice Maker Water In:
Min. 20 psi (137.9 kPa), Max. 80 psi (551.1 kPa)
- Condenser Inlet Water In:
Min. 20 psi (137.9 kPa), Max. 276 psi (1902.95 kPa)

Series 1900
29.50" H x 48.00" W x 24.50" D
74.9 cm x 121.9 cm x 62.2 cm
Order ice storage bin separately.
Note: Placing iT1900 on a non-Manitowoc ice bin or "F" Model Maniowoc Ice bin requires installation of ice deflector K-00349

Electric: 208-230/60/1 available in Dice and Half dice.
Half dice also available in 208-230/60/3.
Min. circuit ampacity:
15 1ph, 12.8 3ph
Max. fuse size:
25 amps 1ph
20 amps 3ph
Refrigerant:
R410A CFC Free
BTU per Hour:
26,100 (average) 30,500 (Peak)

Specifications

Model	Ice Shape	Ice Production 24 Hours		Power Usage kWh/100 lbs. @90°Air/70°F	Potable Water Usage/100 lbs. 45.4 kgs. of Ice
		70°Air/ 50°F Water	90°Air/ 70°F Water		
IDT-1900WM	dice	1900 lbs.	1666 lbs.	3.51	20 Gal.
		862 kgs	756 kgs		
IYT-1900WM	half-dice	1960 lbs.	1759 lbs.	3.44	20 Gal.
		889 kgs	797 kgs		

Water-cooled Condenser water usage 100lbs/45.4kg of Ice: 140gal/530L

Add an E after the 261 and 263. Example IYT1900W-261EM

Accessories

LuminIce® II Virus and Bacteria Inhibitor
controls viruses and bacteria inside the ice machine



Arctic Pure® Plus Water Filters
reduce sediments and chlorine contaminants down to .5 microns.

Use with a Pre-filter is recommended.



IAUCS®
schedules and performs routine ice machine cleaning automatically.



External Scoop Holder
protect the ice scoop with the NSF approved versatile scoop holder.



Manitowoc Ice reserves the right to make changes to the design or specifications without prior notice.