



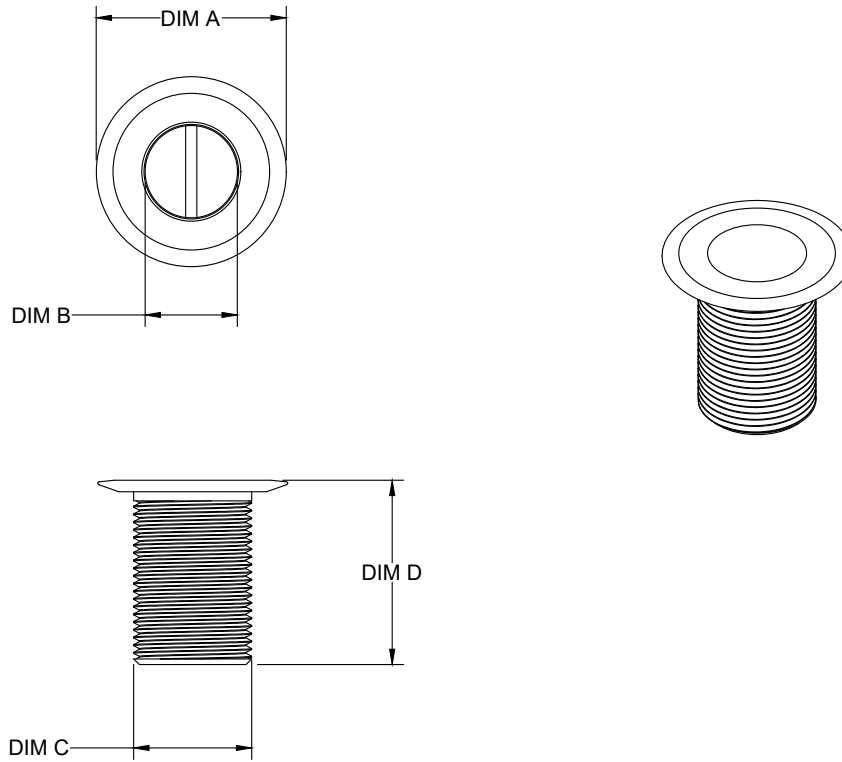
FISHER MANUFACTURING COMPANY TOLL FREE: 800-421-6162 - FAX: 800-832-8238
customer@fisherfaucets.com - www.fisherfaucets.com

PRODUCT NAME:

WASTE SOCKET

SPEC. DWXB-WSZ-XX

Customer/Wholesaler:	Date:	Job Name:	Model Specified:	Quantity:
Contractor:		Architect/Engineer:		



MODEL	SIZE	NPS	MATERIAL	DRAIN RATE	GASKET	LOCK NUT	DIM A DIAMETER	DIM B DIAMETER	DIM C DIAMETER	DIM D	ROUGH-IN DIAMETER
6642-2100	3/4 X 1 3/4	3/4"	BRASS	3 GPM	1400-5000	6651-9000	1 1/2" [37mm]	11/16" [18mm]	1" [26mm]	1 3/4" [44mm]	1 1/16" [27mm]
10448	3/4 X 1 3/4	3/4"	CHROME	3 GPM	1400-5000	6651-9000	1 1/2" [37mm]	11/16" [18mm]	1" [26mm]	1 3/4" [44mm]	1 1/16" [27mm]
73783	3/4 X 1 3/4	3/4"	CHROME	3 GPM	73784	73781	1 1/2" [37mm]	11/16" [18mm]	1" [26mm]	1 3/4" [44mm]	1 1/16" [27mm]
6240-2100	1 X 2	1"	BRASS	5.3 GPM	6280-5000	6250-2100	2 1/16" [52mm]	1" [25mm]	1 1/4" [33mm]	2" [51mm]	1 5/16" [33mm]
6241-2400	1 X 2	1"	CHROME	5.3 GPM	6280-5000	6250-2100	2 1/16" [52mm]	1" [25mm]	1 1/4" [33mm]	2" [51mm]	1 5/16" [33mm]
6440-2100	1 X 4	1"	BRASS	5.3 GPM	6280-5000	6250-2100	2 1/16" [52mm]	1" [25mm]	1 1/4" [33mm]	4" [102mm]	1 5/16" [33mm]
6441-2400	1 X 4	1"	CHROME	5.3 GPM	6280-5000	6250-2100	2 1/16" [52mm]	1" [25mm]	1 1/4" [33mm]	4" [102mm]	1 5/16" [33mm]
6540-2100	1 1/2 X 1 1/2	1 1/2"	BRASS	12 GPM	6580-5000	6550-2100	2 7/8" [73mm]	1 1/2" [38mm]	1 7/8" [47mm]	1 1/2" [38mm]	1 7/8" [48mm]
6541-2400	1 1/2 X 1 1/2	1 1/2"	CHROME	12 GPM	6580-5000	6550-2100	2 7/8" [73mm]	1 1/2" [38mm]	1 7/8" [47mm]	1 1/2" [38mm]	1 7/8" [48mm]

PRODUCT SPECIFICATIONS: BRASS OR CHROME WASTE SOCKET							PRODUCT COMPLIANCE: ASME A112.18.2 / CSA B125.2				
Drawn: LC	Checked: EM	Approved: LC	Date: 04/10/25	Sheet: 1 of 1							