

Project: _____	AIA# _____
Item #: _____ Qty: _____	SIS# _____
Model #: _____	

# Liquor Steps

<b>C-LD</b>	C-LD-12, C-LD-18, C-LD-24
-------------	---------------------------



**Intertek**  
4004503  
Conforms to ANSI/NSF STD 2

### Standard Features

- Easily usable height for storage
- All stainless steel construction
- Adjustable stainless steel bullet feet
- Five (5) levels of liquor bottle storage
- Integrated bottle retaining rails
- Front rail matches speed rail appearance for design continuity
- Rear step on each model is extra wide (4-3/4") for specialty liquor bottles

### Configurable Options

#### Locking Cover

- The removable locking cover is one-piece and foldable for easy storage. The liquor steps are lowered 4" to accommodate the locking cover.

NOTE: Locking covers must be specified at time of order, cannot be added in the field.

### Specifications

#### Legs

- 1-5/8" diameter, 16 gauge stainless steel
- Stainless steel bullet feet

#### Materials

- 20 gauge stainless steel parts include: all components unless otherwise noted
- 14 gauge stainless steel parts include: sides



Locking cover configurable option shown on C-LD-12



12" locking cover unfolded



12" locking cover folded

Underbar installation instructions: <https://www.glastender.com/support/documents/manuals/underbar-installation-instructions>  
 Cleaning & care instructions: <https://www.glastender.com/support/documents/manuals/general-cleaning-and-care-instructions-for-stainless-steel>

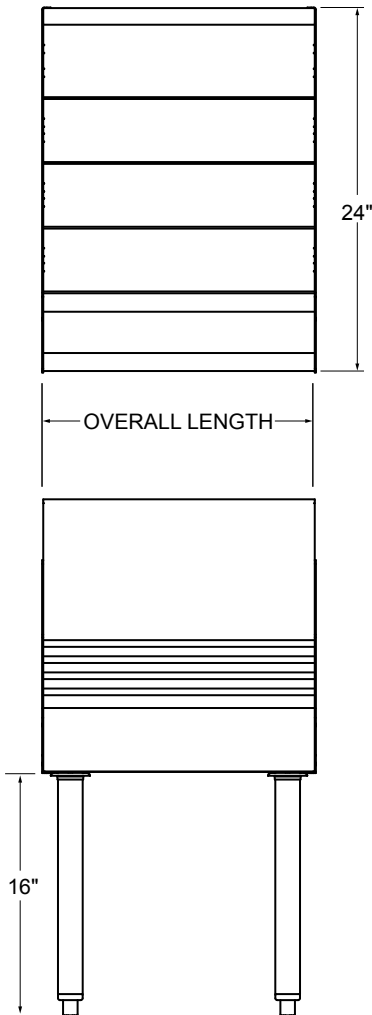
<b>Glastender, Inc.</b> • 5400 North Michigan Road • Saginaw, MI • 48604-9780 989.752.4275 • 800.748.0423 • Fax 989.752.4444 <a href="https://glastender.com">https://glastender.com</a>	Approval/Notes:
Specifications subject to change without notice. For current specifications please visit our website.	

# Choice Liquor Steps

## Dimensional Information

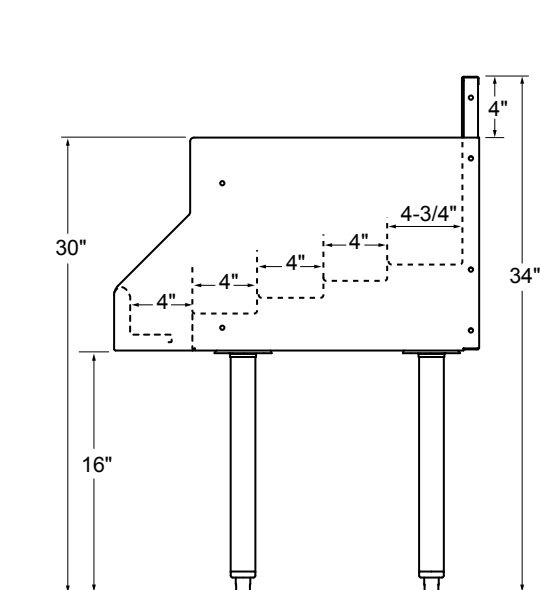
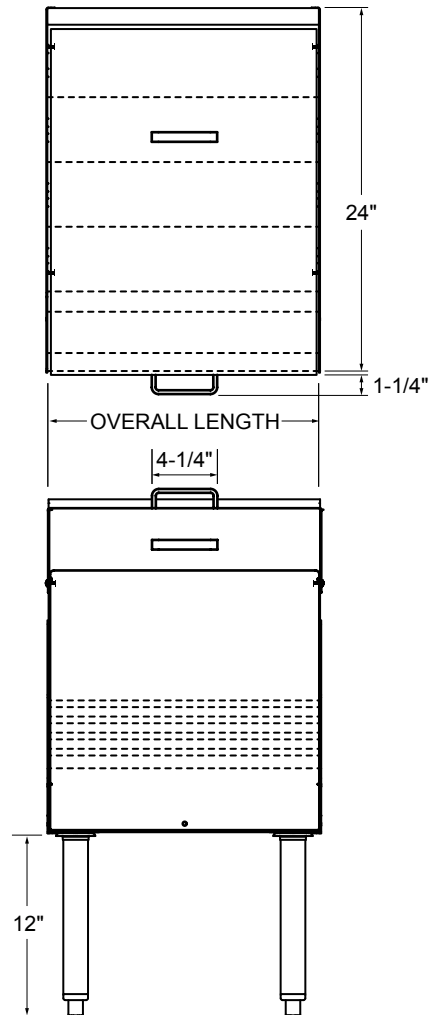
Model Number	Overall Length
C-LD-12	12"
C-LD-18	18"
C-LD-24	24"

WITH LOCKING COVER



PLAN VIEW

FRONT ELEVATION



SIDE ELEVATION

