



*The Signature of Quality*

### FEDERAL INDUSTRIES

A Standex Company  
215 Federal Avenue  
Belleville, WI 53508-9201

Phone: 800-356-4206  
Fax: 608-424-3234  
Email: geninfo@federalind.com  
Website: www.federalind.com

Project Name: \_\_\_\_\_

Item #: \_\_\_\_\_

Model #: \_\_\_\_\_ Qty: \_\_\_\_\_

Approval: \_\_\_\_\_

AIA#

SIS#

## SIGNATURE SERIES REFRIGERATED COUNTERTOP MERCHANDISER - Bottom Mount

The Signature Series Countertop merchandiser combines attractive curved glass styling and merchandising flexibility. Designed for continuous case line-ups.



*Shown as Lineup*

MODEL	DIMENSIONS ( Includes End Panels )
<input type="checkbox"/> CRB3628	36 x 29.7 x 25.12 (in) 914 x 754 x 638 (mm)
<input type="checkbox"/> CRB4828	48 x 29.7 x 25.12 (in) 1219 x 754 x 638 (mm)

### STANDARD FEATURES

#### Model Features

- Curved glass styling.
- Tempered thermopane front glass. Acrylic end panels.
- Removable sliding rear doors, shelf lights, shelf supports, and shelves.
- Removable, scratch-resistant, rustproof black display deck.
- Easily accessible light switch and adjustable temperature control.
- Average case temperature of 38° F to 40° F is maintained.
- Black painted metal and stainless construction. Black trim.
- Designed for continuous line-ups.
- Cord and plug (NEMA 5-15P).
- Installation Flexibility
- Recessed 3" in the counter with condensing component mounted underneath (CRB Models).

#### Refrigeration

- Condensate evaporator provided for a totally selfcontained system.
- Oversized coil and low-velocity fan system maintains high humidity and product freshness.
- Average case temperature of 38° F (3.3° C) to 40° F (4.4° C) is maintained.
- Thermometer.
- R290 Refrigerant

#### Shelving

- Adjustable black wire shelves. Shelves are adjustable up and down and can also be tilted in two positions. Two tiers.

#### Lighting

- 3500K LED top light and shelf lights.

#### Agency Approvals

- UL Safety and UL Sanitation Listed.
- DOE 2017 Compliant

### OPTIONAL ACCESSORIES

- Glass Shelves
- Reflective Ends
- Remote Refrigeration on CRB models only
- Reflective Rear Doors
- Chocolate Package



**WARRANTY\***  
One year Parts and Labor  
2nd thru 5th year part  
only service compressor  
(U.S.A and Canada)

Note: Information is subject to change at any time.  
Visit [www.federalind.com](http://www.federalind.com) for the most current specs.

Revised 8/10/2025

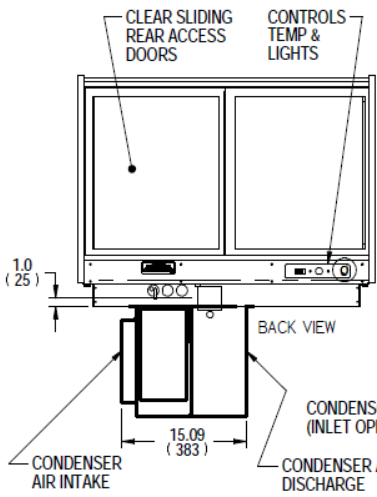
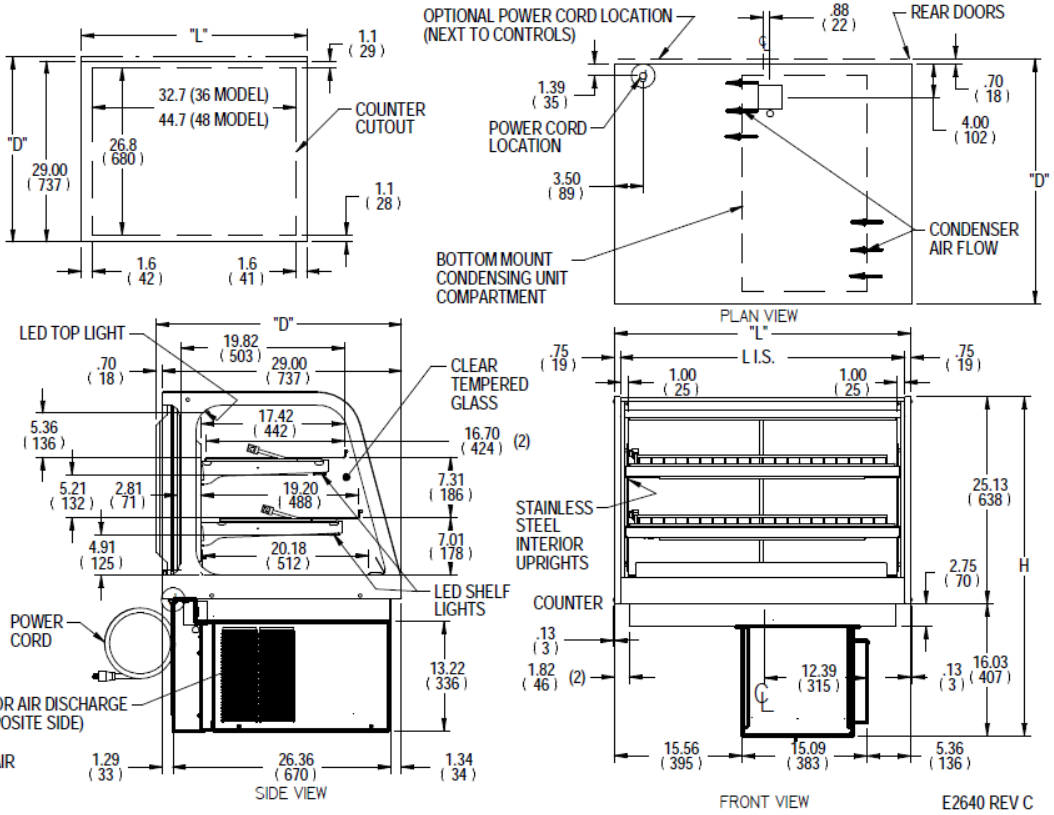
AIA#	<b>SIGNATURE SERIES REFRIGERATED COUNTERTOP MERCHANDISER</b>
SIS#	<b>- Bottom Mount</b>
<b>Product Specifications</b>	

Intended Environment: Type I - Designed to operate in maximum ambient conditions of 75°F (24°C) and 55% relative humidity unless noted otherwise in system information below.

Zone	Intended Product To Be Displayed	Avg Prod Temp °F/°C
All	Packaged Refrigerated Products	38°F / (3.3°C)

**DIMENSION:** xx"/(mm)  
**DIMENSION TOLERANCE +/- 0.19 (4.8)**

- SYMBOL KEY:**
- ELECTRICAL JUNCTION BOX (SUPPLIED W/6" LEADS OR POWER CORD)
  - TUB DRAIN LOCATION
  - REMOTE REFRIGERATION LINE CONNECTION



MODEL	DIMENSION				SHELVING				INTERIOR VOLUME CU FT	ELECTRICAL			REFRIGERANT	CONDENSATE REMOVAL	SHIP WEIGHT
	L	D	H	LS	# OF TIERS	CAPACITY (BAKERY PANS)	D	L		2-WIRE + GROUND 120/60/1		STANDARD NEMA CORD & PLUG			
	in	in	in	in			in	in		AMPS	MAX FUSE SIZE				
	mm	mm	mm	mm			mm	mm							
CRB3628	36.0	29.7	41.2	34.5	2	3 (18"X26")	16.7	32.7	6	15	NEMA 5-15p	R290a	CONDENSATE EVAPORATOR	390 LBS	
	914	754	1046	876			424	831						177 KILO	
CRB4828	48.0	29.7	41.2	46.5	2	(3)18"X26" & (3)18X12	16.7	44.7	6	15	NEMA 5-15p	R290a	CONDENSATE EVAPORATOR	450 LBS	
	1219	754	1046	1181			424	1136						204 KILO	
CRB3628C	36.0	29.7	41.2	34.5	2	3 (18"X26")	16.7	32.7	6	15	NEMA 5-15p	R290a	CONDENSATE EVAPORATOR	390 LBS	
	914	754	1046	876			424	831						177 KILO	
CRB4828C	48.0	29.7	41.2	46.5	2	(3)18"X26" & (3)18X12	16.7	44.7	6	15	NEMA 5-15p	R290a	CONDENSATE EVAPORATOR	450 LBS	
	1219	754	1046	1181			424	1136						204 KILO	

- \* Height above counter
- If a GFCI circuit is required, a GFCI Breaker Must be used instead of GFCI receptacle.
- Refrigerated cases are designed to operate in a maximum of 75°F (24°C) ambient and 55% relative humidity.
- Due to continuing engineering improvements, specifications are subject to change without notice.



**FEDERAL INDUSTRIES**  
 A Standex Company  
 215 Federal Avenue, Belleville, Wisconsin 53508-9201

**Phone:** 800-356-4206  
**Fax:** 608-424-3234  
**Email:** Geninfo@Federalind.com  
**Website:** Federalind.com