

Glastender®

A family company manufacturing in the USA

www.glastender.com



DBSB-18
(Blender not included)



Intertek
4004503
Conforms to ANS/NSF STD 2

Specifications

Materials

- 20 gauge stainless steel

Legs

- 1-5/8" diameter, 16 gauge stainless steel
- Stainless steel bullet feet

Drains

- 1-1/2" I.P.S. Threaded drain will fit Dearborn part #8033 slipnut and part #W-573P washer for RF models.
- 1/2" welded tailpiece. Clear vinyl drain line and one 1/2" by 1/2" barbed plastic elbow is provided

Rinser Faucet (optional)

- Accepts 3/8" cold water lead
- 30 psi water pressure regulator included
- 1.2 gallons per minute

Optional Rinser Faucet

Installation Notes

- Unit does not provide a 1" air gap
- Must be installed with external backflow prevention to meet applicable federal, state, and local plumbing code requirements.
- Install in-line water pressure regulator (included)
- A separate shut-off valve is recommended (not included)

03012383
Rinser Faucet Assembly



Intertek
4004503
Conforms to NSF/ANSI STD 372



DBSA-12-RF

To view underbar installation instructions: <https://www.glastender.com/support/documents/manuals/underbar-installation-instructions>

Cleaning & care instructions: <https://www.glastender.com/support/documents/manuals/general-cleaning-and-care-instructions-for-stainless-steel>

Glastender, Inc. • 5400 N Michigan Rd • Saginaw, MI • 48604-9780
989.752.4275 • 800.748.0423 • Fax 989.752.4444
www.glastender.com

Approval/Notes:

Specifications subject to change without notice. For current specifications please visit our website.

Project: _____	AIA# _____
Item #: _____ Qty: _____	SIS# _____
Model #: _____	

Drainboard Blender Stations

DBS

DBSA-12, DBSA-14, DBSA-18, DBSA-24,
DBSA-12-RF, DBSA-14-RF, DBSA-18-RF,
DBSB-12, DBSB-14, DBSB-18,

Standard Features

- All stainless steel construction
- One-piece, seamless top and backsplash featuring 1/4" radius corners
- CFC free foamed-in-place
- Eco friendly foamed-in-place insulated blender shelf for sound deadening has zero impact on global warming or ozone depletion
- Drainboard work surface consists of drain pan with separate removable perforated insert
- Blender shelf features radius interior corners
- Power cord access hole with grommet located on front skirt, behind the blender
- Junction box for duplex GFI outlet mounted underneath blender shelf (outlet not included)

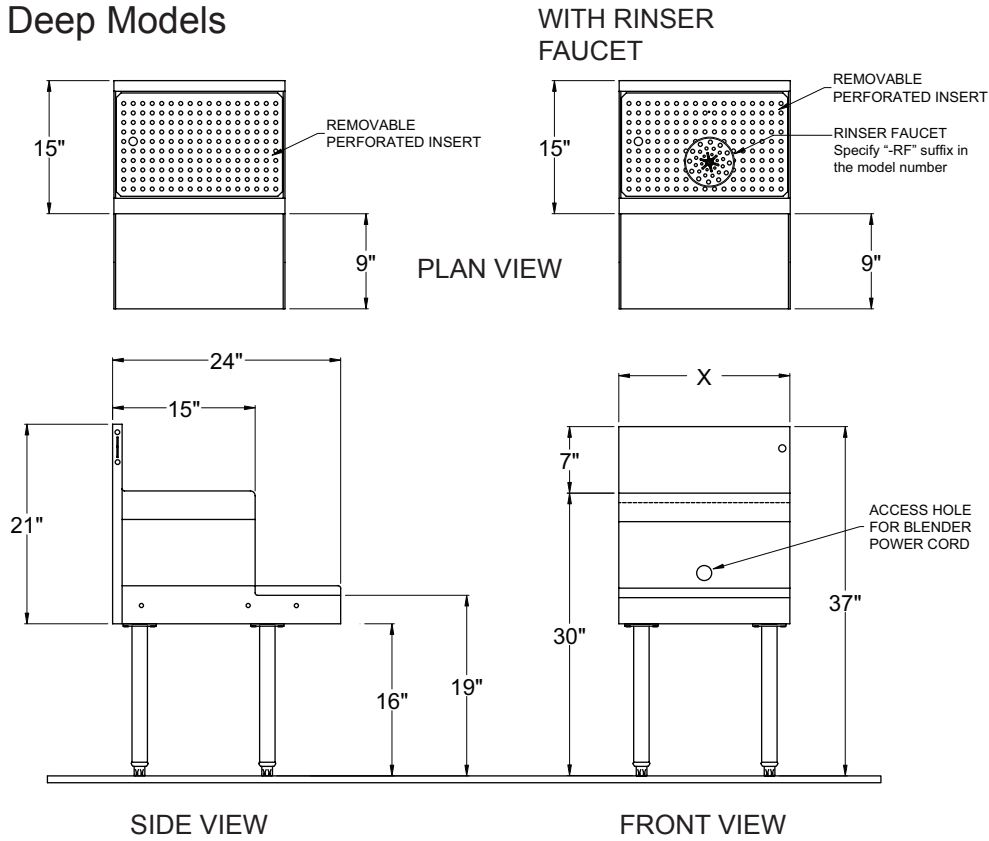
Configurable Options

- Rinser faucet; specify RF in model number

Drainboard Blender Stations

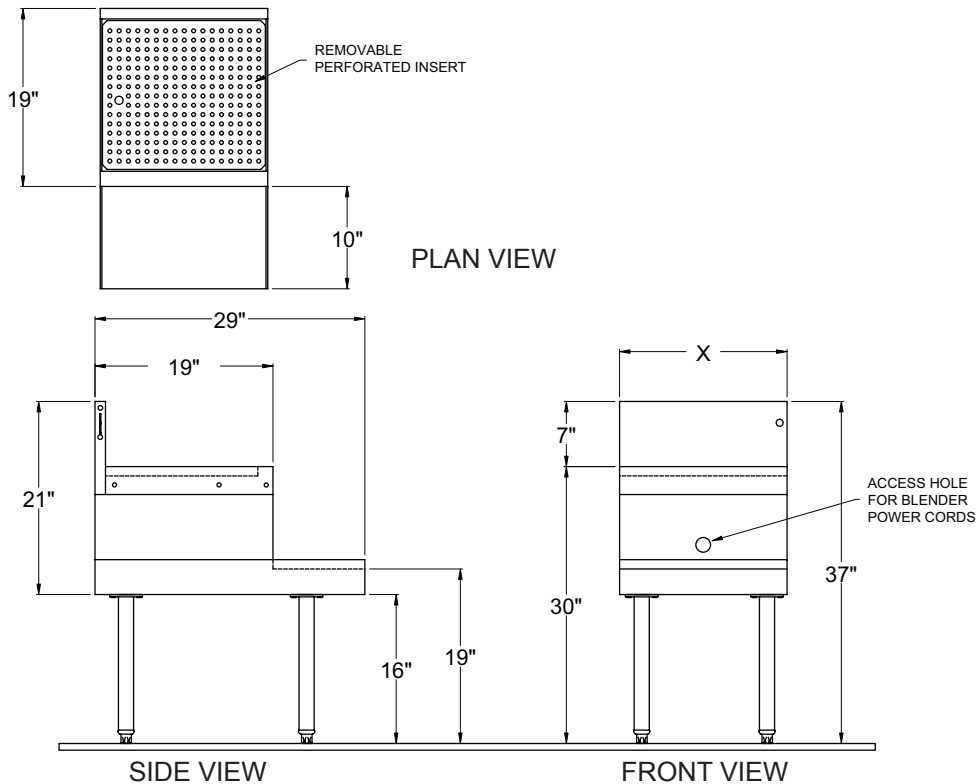
Drawings

24" Deep Models



Model Number	Overall Length
DBSA-12	12"
DBSA-14	14"
DBSA-18	18"
DBSA-24	24"
DBSA-12-RF	12"
DBSA-14-RF	14"
DBSA-18-RF	18"

29" Deep Models



Model Number	Overall Length
DBSB-12	12"
DBSB-14	14"
DBSB-18	18"