



LOCATION		DATE
PREPARED BY		QUANTITY
COMMENTS		FIXTURE TYPE
CATALOG NUMBER		

## Rigby Narrow Cloud RC Series

### Features

The molded white cloud diffuser has rounded corners and edges for a soft pillow appearance. It can be used in various applications including corridors, kitchens and public spaces. Fixture mounts to standard junction box (not included).



### Construction

Housing is die-formed of 22-gauge steel. Standard mounting holes are included. Power supply connections can be made inside the fixture wire way or in a junction box (not included).

### Finish

Back plate is finished in lighting grade white baked gloss enamel paint.

### Diffuser

Diffuser is made of Dur-illume 2200 copolyester, a high strength lighting plastic material with high impact properties. Four clips on the two edges of the diffuser allow it to lift and shift for easy removal.

### Electrical

This unit can be ordered in the following options:

- With UL listed instant-start, electronic normal power factor ballast; 120V 60Hz AC (R8 suffix);
- With UL Listed, High Power Factor Programmed Start Electronic Ballast 120-277V 50/60Hz AC (MV suffix).

### Lamping

For use with 2/32, 4/32 or 4/17 watt T8 linear fluorescent lamps; supplied by others.

### Certification

All fixtures are cULus listed for damp locations.

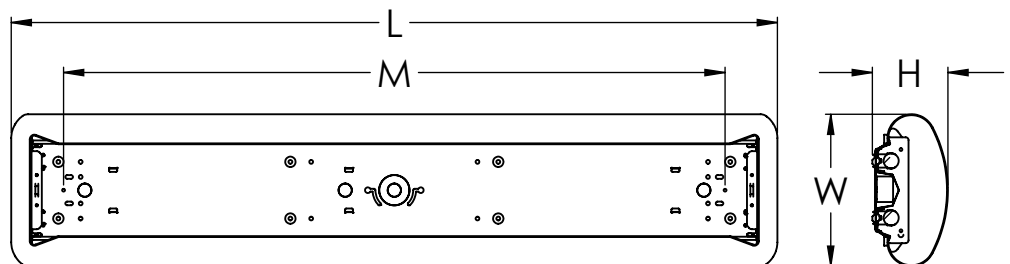
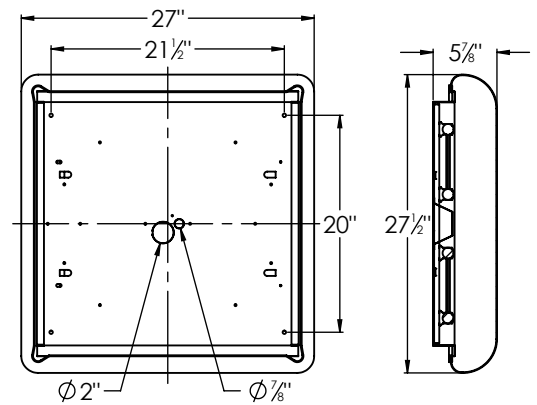


\*ENERGY STAR®  
Model #s  
RC232R8, RC417R8, RC432R8

### Options (consult factory)

- Dimming
- Emergency battery back-up

Specifications and dimensions subject to change without notice.



## Ordering Information:

120V	120-277V	Qty.	Lamp	H	W	L	M
*RC232R8	RC232MV	2	F32T8	4-7/8"	10-1/2"	50-3/4"	43-3/4"
RC2U3R8	RC2U3MV	2	FB32T8	6"	27"	27-1/2"	
*RC417R8	RC417MV	4	F17T8	5-1/4"	15"	24-1/4"	19-3/4"
*RC432R8	RC432MV	4	F32T8	5-1/4"	15"	50-3/4"	43-3/4"