



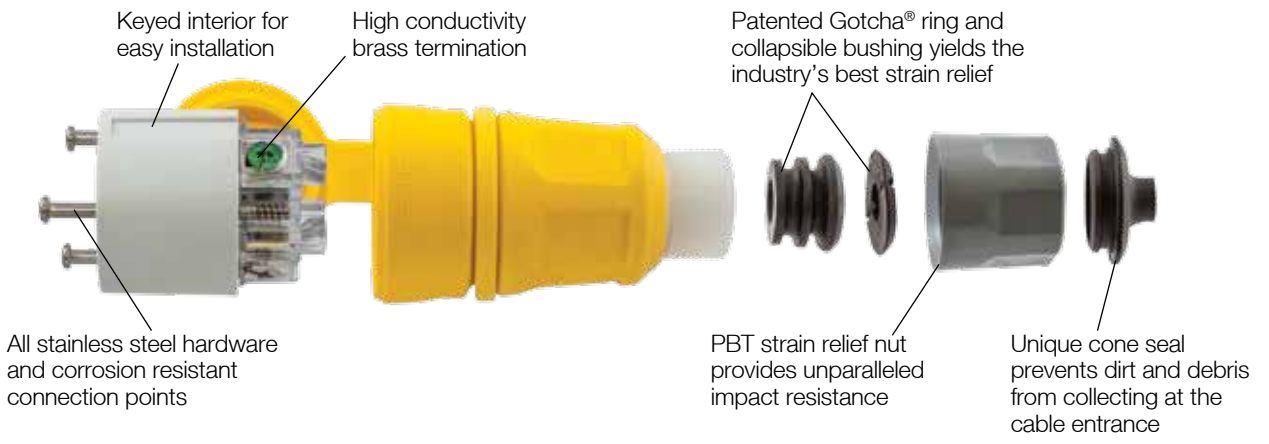
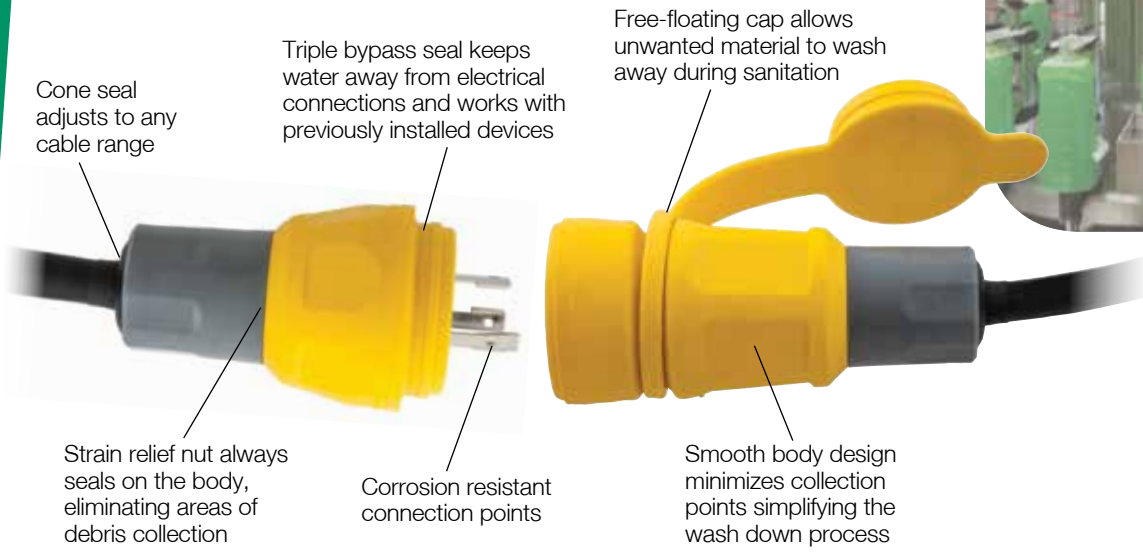
BRYANT[®]

Watertight Wiring Devices

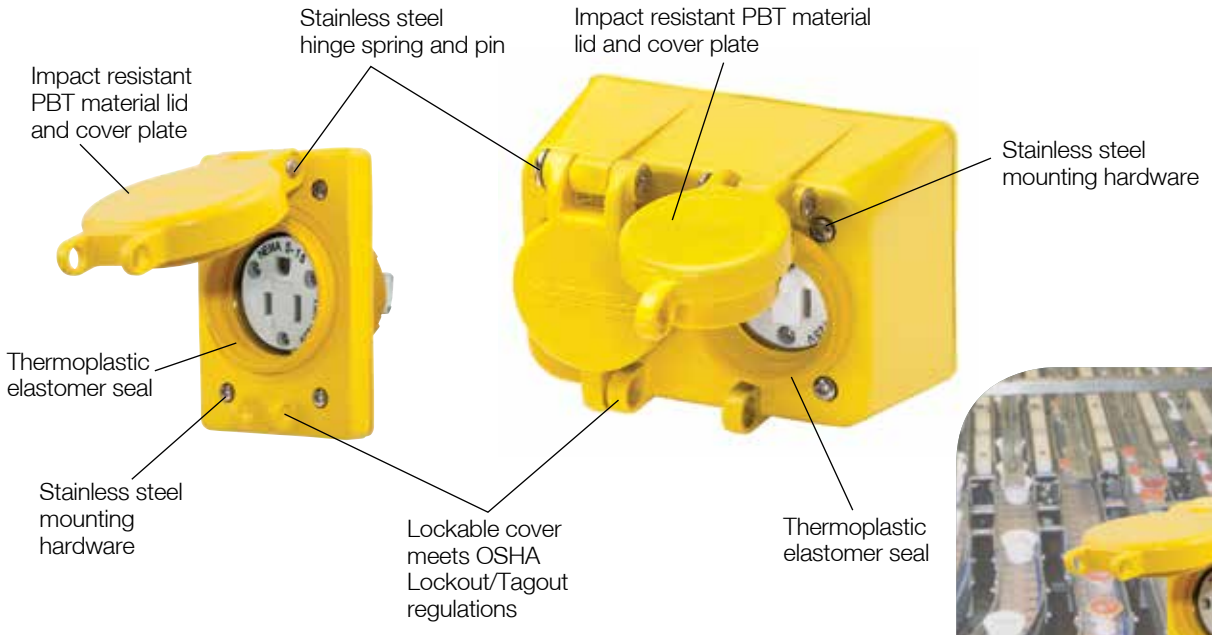


**Watertight and Weather
Protective Devices for
Demanding Environments**

Plugs and Connectors



Receptacles with Covers



FEATURES

Plugs, Connectors and Receptacles

BRYANT®

NSF UL NSF
UL Type 4, 4X, 6P

IP65, 66, 67
SUITABILITY



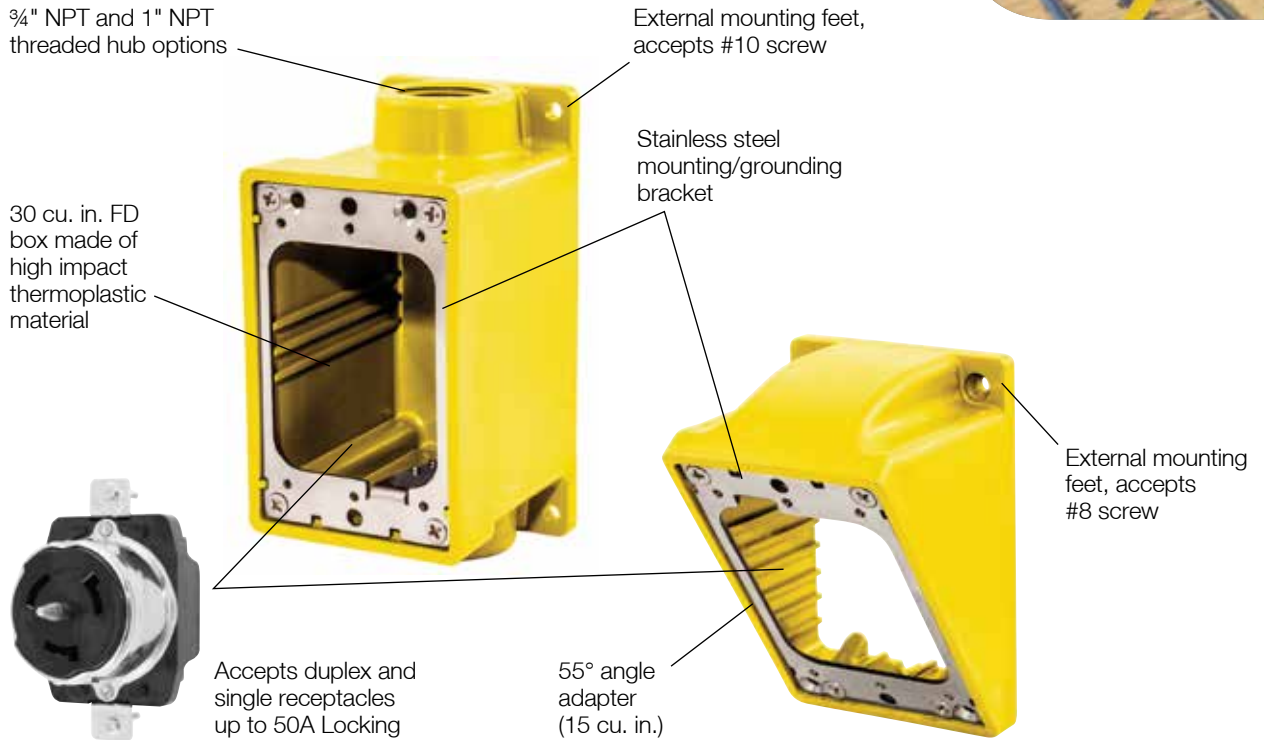
Straight Blade	Amp Poles/Wires	Rating	Plug/Connector	Color	Plug	Connector	Receptacle with Lift Cover	Duplex Receptacle
	Locking Devices	15 Amp 2P/3W	NEMA 5-15 15A 125V		Yellow	BRY14W47	BRY15W47	BRY60W47
NEMA 6-15 15A 250V				Yellow	BRY14W49	BRY15W49	BRY60W49	BRY60W49D
15A 125V 10A 600V Non-NEMA				Yellow	BRY14W07	BRY15W07	—	—
20 Amp 2P/3W		NEMA 5-20 20A 125V		Yellow	BRY14W33	BRY15W33	BRY60W33	BRY60W33D
		NEMA 6-20 20A 250V		Yellow	BRY14W48	BRY15W48	BRY60W48	BRY60W48D
Locking Devices		15 Amp 2P/3W	NEMA L5-15 15A 125V		Yellow	BRY24W47	BRY25W47	BRY65W47
	NEMA L6-15 15A 250V			Yellow	BRY24W49	BRY25W49	BRY65W49	BRY65W49D
	NEMA L7-15 15A 277V AC			Yellow	BRY24W34	BRY25W34	BRY65W34	BRY65W34D
	20 Amp 2P/3W	NEMA L5-20 20A 125V		Yellow	BRY26W47	BRY27W47	BRY67W47	—
		NEMA L6-20 20A 250V		Yellow	BRY26W48	BRY27W48	BRY67W48	—
		NEMA L7-20 20A 277V AC		Yellow	BRY26W49	BRY27W49	BRY67W49	—
	20 Amp 3P/4W	NEMA L14-20 20A 125/250V AC		Yellow	BRY26W74	BRY27W74	BRY67W74	—
		NEMA L15-20 20A 3Ø 250V AC		Yellow	BRY26W75	BRY27W75	BRY67W75	—
		NEMA L16-20 20A 3Ø 480V AC		Yellow	BRY26W76	BRY27W76	BRY67W76	—
	20 Amp 4P/5W	NEMA L21-20 20A 3ØY 120/208V AC		Yellow	BRY26W81	BRY27W81	BRY67W81	—
		NEMA L22-20 20A 3ØY 277/480V AC		Yellow	BRY26W82	BRY27W82	BRY67W82	—
		NEMA L23-20 20A 3ØY 347/600V		Yellow	BRY26W83	BRY27W83	BRY67W83	—
20 Amp 3P/3W	20A 125/250V Non-NEMA		Yellow	BRY26W08	BRY27W08	BRY67W08	—	
20 Amp 4P/4W	20A 3ØY 120/208V AC Non-NEMA		Yellow	BRY26W09	BRY27W09	BRY67W09	—	
Locking Devices	30 Amp 2P/3W	NEMA L5-30 30A 125V		Yellow	BRY28W47	BRY29W47	BRY69W47	—
		NEMA L6-30 30A 250V		Yellow	BRY28W48	BRY29W48	BRY69W48	—
		NEMA L7-30 30A 277V AC		Yellow	BRY28W49	BRY29W49	BRY69W49	—
	30 Amp 3P/4W	NEMA L14-30 30A 125/250V AC		Yellow	BRY28W74	BRY29W74	BRY69W74	—
		NEMA L15-30 30A 3Ø 250V AC		Yellow	BRY28W75	BRY29W75	BRY69W75	—
		NEMA L16-30 30A 3Ø 480V AC		Yellow	BRY28W76	BRY29W76	BRY69W76	—
		NEMA L17-30 30A 3Ø 600V AC		Yellow	BRY28W77	BRY29W77	BRY69W77	—
		NEMA L18-30 30A 3ØY 120/208V AC		Yellow	BRY28W78	BRY29W78	—	—
	30 Amp 4P/5W	NEMA L21-30 30A 3ØY 120/208V AC		Yellow	BRY28W81	BRY29W81	BRY69W81	—
		NEMA L22-30 30A 3ØY 277/480V AC		Yellow	BRY28W82	BRY29W82	BRY69W82	—
		NEMA L23-30 30A 3ØY 347/600V AC		Yellow	BRY28W83	BRY29W83	BRY69W83	—
	30 Amp 3P/3W	30A 125/250V Non-NEMA		Yellow	BRY28W08	BRY29W08	BRY69W08	—
30 Amp 4P/4W	30A 3ØY 120/208V AC Non-NEMA		Yellow	BRY28W09	BRY29W09	—	—	

Note: Black devices are available as a special order, consult factory.

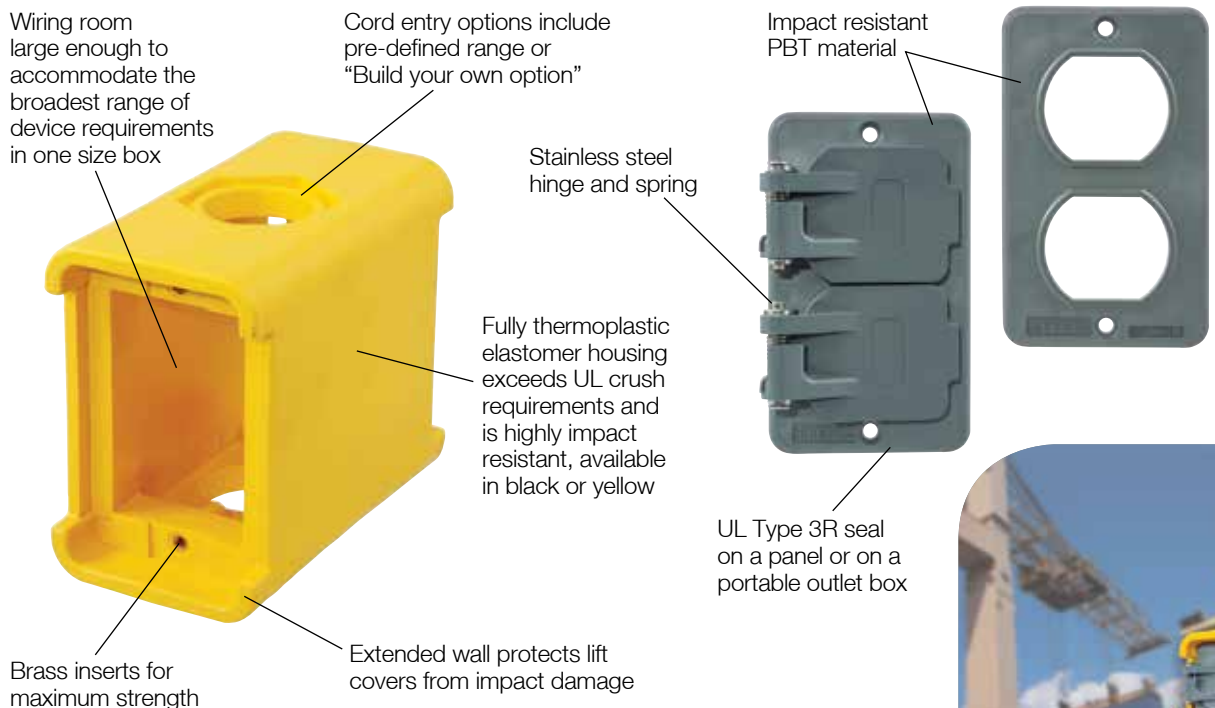
ORDERING INFORMATION

FD Boxes and Angled Adapters

Introducing a fully UL Listed surface mount box engineered with features that allow easy, code compliant installation of all types of devices from 15A to 50A, including metallic ground bonding bracket, threaded conduit hubs and external mounting supports. Together with an industry first 55 degree angle adapter, the combination of devices is the only code compliant 45 cu.in. solution for 50A 4 wire installations. The angle adapter can also be installed separately for panel applications.



Portable Outlet Box and Cover Plates



Boxes, Cover Plates and Accessories

BRYANT®



UL Type 4X

IP65, 66
SUITABILITY



BRY60CM83A BRY60CM55 BRY60CM88 BRY60CM88W BRYP14FS

FD Boxes and Angled Adapters*

Color	FD Boxes			Kits		
	¾" NPT Hubs	1" NPT Hubs	55° Angle Adapter*	¾" NPT Hubs	1" NPT Hubs	Blank Cover Plates
Yellow	BRY60CM83A	BRY60CM84A	BRY60CM55*	BRY60CM83AK	BRY60CM84AK	BRY60CM88
White	BRY60CM83WA	BRY60CM84WA	BRY60CM55W*	BRY60CM83WAK	BRY60CM84WAK	BRY60CM88W
Gray	BRY6083	BRY6084	BRY6055*	BRY6083AK	BRY6084AK	BRYP14FS

Note: *For NEMA 4X rating, use watertight receptacle on either FD box or adapter. Adapters available 2nd quarter 2015. Not UL listed, nor UL Type 4X.



Box Suitable for Wet and Damp Locations

IP44
SUITABILITY



BRY3099 BRY3090F BRY3000

Pre-Assembled Portable Outlet Boxes (with Cord Connector Installed)

Description	Cord Range Inches (mm)	Color	Deep	Deep with Feed-Thru	Deep with (2) Duplex Cover Plates
Portable outlet box	.38"-.50" (9.7-12.7)	Yellow	BRY3099	BRY3090F	BRY3000

Note: For use with NEMA Type 1 and Type 3R portable outlet box covers listed below.



UL Type 1, 3R

IP44
SUITABILITY



BRY3051 BRY3056 BRY3052 BRY3057 BRY3055 BRY3058 BRY3060 BRY3061 BRY3054

Portable Outlet Box Cover Plates (NEMA Type 1) and Lift Covers (NEMA Type 3R)

Description	Duplex		1.39" diameter receptacle		1.572" diameter receptacle		GFCI		Blank
	Box Cover UL Type 1	Lift Cover UL Type 3R	Box Cover UL Type 1	Lift Cover UL Type 3R	Box Cover UL Type 1	Lift Cover UL Type 3R	Box Cover UL Type 1	Lift Cover UL Type 3R	Cover Plate UL Type 3R
Portable outlet box cover plates	BRY3051	BRY3056	BRY3052	BRY3057	BRY3055	BRY3058	BRY3060	BRY3061	BRY3054



UL Type 4X

IP65, 66, 67
SUITABILITY



BRY6500

Watertight Lift Covers

Description	Receptacle with Lift Cover
For use with 15A or 20A straight blade receptacles and 15A locking receptacles; receptacle not included.	BRY6500
For use with 20A locking receptacles; receptacle not included. Note: When mating with BRY26W09, 20A Non-NEMA plug, use BRY6800 cover.	BRY6700
For use with 30A locking receptacles; receptacle not included.	BRY6800

Replacement Interiors



BRY28W75IN BRY29W75IN

Device	Rating	Interiors	
		Plug	Receptacle
Straight Blade Locking	15A 125V	BRY14W47IN	BRY15W47IN
		BRY24W47IN	—
Locking	15A 125V	—	BRY27W47IN
		BRY26W75IN	—
		BRY26W76IN	BRY27W76IN
Locking	30A 3Ø 250V AC	BRY28W75IN	BRY29W75IN
	30A 3Ø 480V AC	BRY28W76IN	BRY29W76IN

Bushings, Cone Seals and Closure Caps



BRYWTB1



BRYWTCS2



BRY50W50

Device	Bushings	Cone Seals	Closure Caps
15A Straight Blade and 15A Locking	BRYWTB1	BRYWTCS1	BRY50W50
20A Straight Blade	BRYWTB1	BRYWTCS1	BRY50W50
20A Locking	BRYWTB2	BRYWTCS2	BRY50W52
30A Locking	BRYWTB3	BRYWTCS3	BRY50W54

ORDERING INFORMATION

Technical Information

Materials

Plug/Connector

Part	Materials
Blade/Contact Carrier	Nylon, white
Terminal Retainer	Polycarbonate, clear
Housing	Thermoplastic elastomer
Housing Insert	Nylon, white
Strain Relief Nut	PBT thermoplastic, gray
Blades/Contacts	Brass, nickel plated
Terminal Screws	Brass
Terminal Screw Size	#8-32 15A/20A Straight Blade and 15A Locking; #10-32 20A and 30A Locking
Assembly Screws	Stainless Steel
Bushings	Thermoplastic elastomer, black
Gotcha Ring	Nylon
Cone Seal	Thermoplastic elastomer, black
Closure Cap	Thermoplastic elastomer

Receptacle Assembly

Part	Materials
Base, Flip Lid, and Backplate	PBT thermoplastic
Seal Collar	Thermoplastic elastomer
Mounting Screws	Stainless Steel
Spring and Hinge Pin	Stainless Steel

Portable Outlet Box and Accessories

Part	Materials
Box Enclosure	Thermoplastic elastomer
Strain Relief Nut	PBT thermoplastic
Grommet	Thermoplastic elastomer
Gotcha Ring	Nylon
Locknut	Steel, zinc plate
Threaded Inserts	Brass
Receptacle Screw	Stainless steel
Cover Plate	PBT thermoplastic
Cover Plate Seal	Neoprene
Cover Plate Spring	Stainless steel
Hinge Pin	Stainless steel
Hinge Bracket	Zinc plated steel
Rivets	Zinc plated steel

Specifications

Listings (Plug/Connector and Flip Lid Assembly)

Listed to UL498
 Certified to CSA C22.2 No. 42
 Meets NEMA WD-1, WD-6, and ANSI standards
 IP66 Suitability
 NSF Certified (Plugs, Connectors and Receptacles)

FD Box/Adapter

Part	Materials
Box Enclosure	PBT thermoplastic
Ground Bracket	316 Stainless Steel
Ground Screw	Brass
Angle Adapter	PBT thermoplastic

Environmental

Box	UL Type 4X (with UL Type 4X receptacle assembly) UL Type 3R (with weatherproof cover plate)
-----	--

Performance

Electrical

Dielectric Voltage	
Connectors:	2000V AC if rated 300V or less; 3000V AC if rated above 300V
Plugs:	2500V AC if rated 300V or less; 3500V AC if rated above 300V
Max Working Voltage	As marked
Current Interrupting	Rated for current interruption per UL498
Temperature Rise	30°C max per UL498 at rated current

Mechanical

Cord and terminal accommodations:

Plugs and Connectors

15 and 20A Straight Blade and 15A Locking	16/3 SJ to 10/3 SJ, 18/3 S to 12/3 S, (Ø.325" to Ø625") (Ø8.3mm to Ø15.9 mm)
20A Locking Except BRY26W09 & BRY27W09	Min. Cord: 16/3 SJ, 18/3 S, 18/4 SJ, 18/4 S, 18/5 S, (Ø.325") (Ø8.3 mm) Max. Cord: 10/3 S, 10/4 S, 10/5 S (.875") (22.2 mm)
30A Locking Including BRY26W09 & BRY27W09	Min Cords: 12/3 SJ, 16/3 S, 14/4 SJ, 18/4 S, 18/5 S, (Ø.375") (Ø9.5 mm) Max Cord: 8/3 S, 8/4 S, 10/5 S (1.125") (28.6 mm)

Receptacles – use solid or stranded building wire or flexible cord only as outlined below:

All Straight Blade	18 AWG to 10 AWG
15A Locking	18 AWG to 10 AWG
20A and 30A Locking	18 AWG to 8 AWG

Portable Outlet Boxes

Cord Range	.38" to .68" (BRY3099, BRY3090F, BRY3000) and .38" to 1.00" with user-specified cord connector
Wiring Volume	19.0 in ³

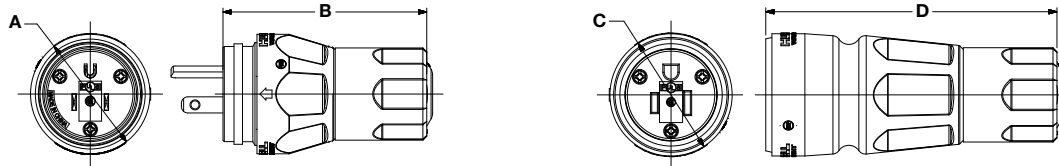
Environmental

Moisture Resistance	UL Listed to 3R, 3RX, 4, 4X, 6, 6P, 12 (Plugs and connectors); 3R, 3RX, 4, 4X (Receptacles); Wet and Damp Locations (Portable outlet boxes); Covers (POB) UL Type 3R and Wet Locations cover closed
Flammability	UL94V0 (boxes, covers, and plates); UL94V2 (Plugs, connectors, and interiors); UL94HB (Caps, bushings, and cone seals)
Operating Temperatures	-40°C (without impact) to +60°C continuous
UV Resistance	All exposed materials are UV stabilized

Plugs and Connectors Inches (mm)

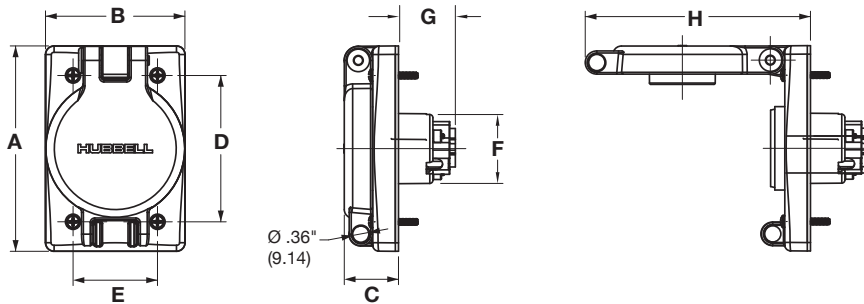
		15A & 20A Straight Blade	15A Non-NEMA Straight Blade	15A Locking	20A Locking	30A Locking
Plugs	A	1.85 (47.07)	1.63 (41.40)	1.85 (47.07)	2.51 (63.70)	2.77 (70.41)
	B	3.16 (80.27)	2.68 (68.00)	3.21 (81.46)	3.96 (100.69)	3.94 (99.98)
Connectors	C	1.85 (47.07)	1.80 (46.00)	1.85 (47.07)	2.51 (63.70)	2.77 (70.41)
	D	4.42 (112.14)	4.00 (102.00)	4.62 (117.22)	5.69 (144.55)	5.67 (144.00)

Note: For BRY26W09 and BRY27W09 use 30A Locking dimensions.



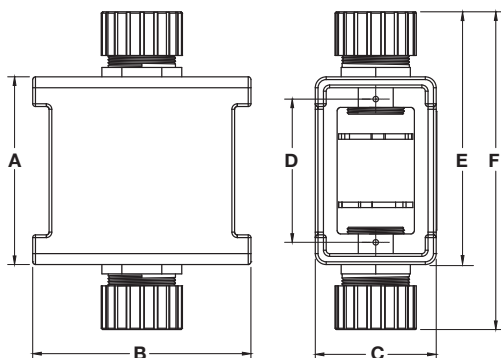
Receptacles with Lift Covers Inches (mm)

	15A & 20A Straight Blade	15A Locking	20A Locking	20A Non-NEMA	30A Locking	30A Non-NEMA
A	4.56" (115.9)	4.56" (115.9)	4.56" (115.9)	4.56" (115.9)	4.56" (115.9)	4.56" (115.9)
B	3.10" (78.7)	3.10" (78.7)	3.10" (78.7)	3.10" (78.7)	3.10" (78.7)	3.10" (78.7)
C	1.20" (30.6)	1.20" (30.6)	1.20" (30.6)	1.20" (30.6)	1.20" (30.6)	1.20" (30.6)
D	3.25" (82.6)	3.25" (82.6)	3.25" (82.6)	3.25" (82.6)	3.25" (82.6)	3.25" (82.6)
E	1.88" (47.6)	1.88" (47.6)	1.88" (47.6)	1.88" (47.6)	1.88" (47.6)	1.88" (47.6)
F	1.26" (32.0)	1.46" (37.1)	1.72" (43.7)	2.26" (57.4)	1.72" (43.7)	1.97" (50.0)
G	1.63" (41.4)	1.63" (41.4)	2.25" (57.2)	2.25" (57.2)	2.25" (57.2)	2.25" (57.2)
H	5.00" (127.0)	5.00" (127.0)	5.00" (127.0)	5.00" (127.0)	5.00" (127.0)	5.00" (127.0)



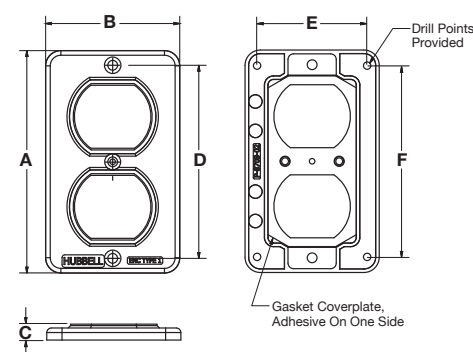
Portable Outlet Boxes Inches (mm)

A	4.30" (109.2)
B	5.00" (127.0)
C	2.77" (70.4)
D	3.28" (83.3)
E	5.79" (147.0)
F	7.28" (184.9)



Box Covers Inches (mm)

A	3.78" (96.0)
B	2.28" (57.9)
C	0.27" (6.9)
D	3.28" (83.3)
E	1.87" (47.5)
F	3.25" (82.6)



Style shown is representative of all openings.

Bryant Guides



Full-Line Catalog

The Bryant full-line catalog showcases our enhanced product offering to provide a breadth of solutions for the industrial, institutional, commercial and residential markets.



Cam-Type Devices and Power Distribution Boxes Brochure

Bryant offers a complete line of high quality, Cam-Type plugs, receptacles and accessories. Also Temporary Electrical Power solutions for demanding applications and environments.



Electric Cord and Cable Reels Brochure

Bryant's NEMA 4X Waterproof Industrial and Commercial Cord Reels are built to provide safe, convenient power and lighting for demanding industrial applications and institutional environments.



CERTIFICATIONS



UL is a global independent safety science company with more than a century of expertise innovating safety solutions and is dedicated to promoting safe living and working environments.

© UL and the UL logo are trademarks of UL LLC © 2014 All Rights Reserved.



Products found with this mark means CSA International found that representative samples of this product met CSA's published Standards for Safety intended for the Canadian market.

© UL and CSA logo are trademarks of UL LLC © 2014 All Rights Reserved.



Known as The Most Trusted Name in Food Safety™, NSF International has been helping businesses in the agriculture, processing, food equipment, restaurant and retail industries to navigate the food safety and regulatory environment for nearly 70 years.

© 2014 NSF International. All rights reserved.

BRYANT®

www.bryant-electric.com

