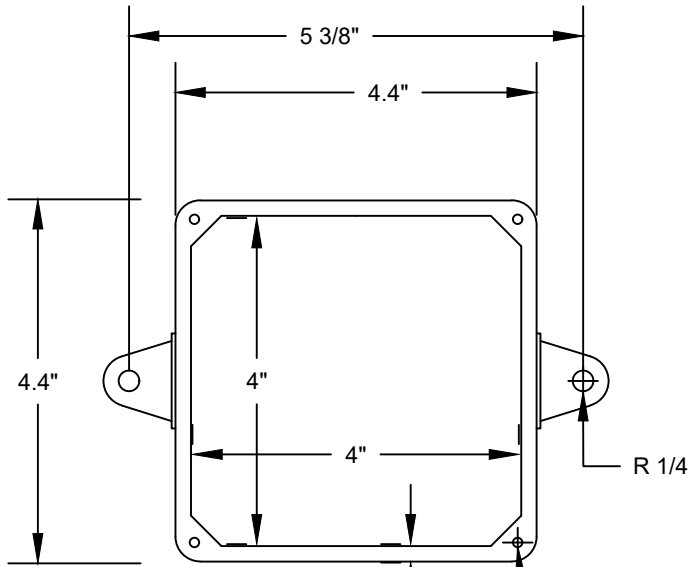
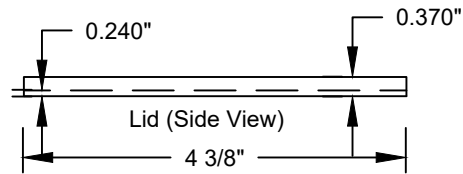


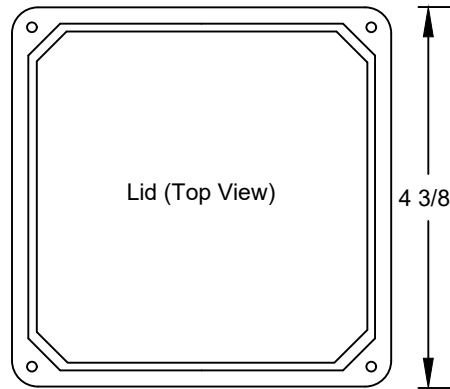
Box (Side View)



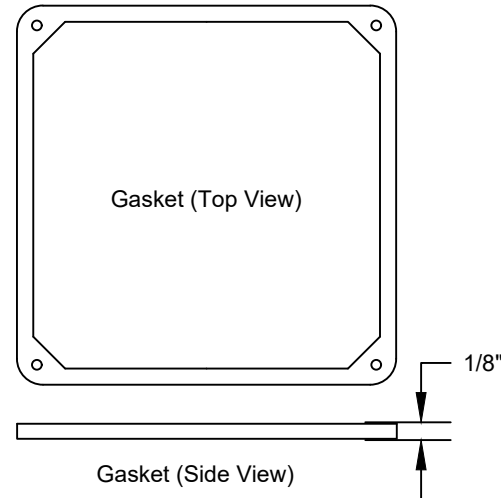
Box (Top View)



Lid (Side View)

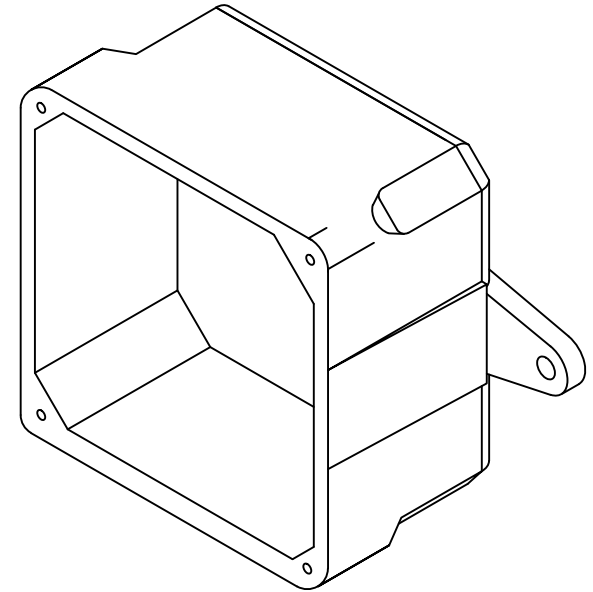


Lid (Top View)

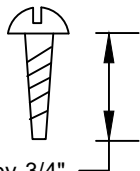


Gasket (Top View)

Gasket (Side View)



UL Listed  
 Marine Listed  
 UL File # E205935 (QCUP)  
 UL Control # 92CM  
 Material is Rigid PVC  
 91.8 cu in Volume (1505 cu cm)  
 Screws are Zinc Plated Steel  
 Gasket is neoprene



# 10 by 3/4"

**CANTEX**  
 INC.  
 Fort Worth, TEXAS

Junction Box 4 x 4 x 6

Drawn By: D. Gwinn

Date: 10/16/20

5133707