

U Series Heat Trace Connection Kits/Accessories

Single Entry Power Connection Kit

- NEMA 4X
- Entry for 1 Cable
- 3/4" Conduit Hub Opening
- Lighted or Non-Lighted

Multiple Entry Connection Box

- NEMA 4X
- Entry for up to 3 Cables
- Power, Splice or Tee Connection
- 3/4" Conduit Hub Opening

Above Insulation End Seal Kit

- NEMA 4X
- Fits All Pipe Sizes
- Mounts Above the Insulation for Easy Access
- Lighted or Non-Lighted

Pipe Standoff Kit

- Brings Cable Outside Insulation to Customer Supplied Junction Box

Under Insulation End Seal Kit

- 3" Dia. Curved Mounting Surface
- Stainless Steel Hardware
- 1" Wide Strapping Channel for Secure Mounting

Small Pipe Adapter for Pipes Under 1-1/2" Diameter



Description

The U-Series Connection Kits represent cutting edge design in heat tracing accessories. Each model in this series is designed to satisfy the unique demands of a particular operation. These high-quality models combine a variety of functions in a convenient, easy-to-use and economical package.

Applications

These accessories are designed to connect SRL, SRP, SRM/E and CWM heating cables to customer-supplied wiring in any of the following applications:

- Freeze Protection
- Piping Process Temperature Maintenance
- Fluid Flow and Viscosity Maintenance


Approvals

Factory Mutual (FM) Approved and CSA certified for ordinary areas. ATEX, IECEx, FM, and CSA Approved for hazardous (classified) areas.

CSA[†] and FM Approved

- Class I, Div. 2 Groups A*, B, C, D (gases, vapors)
 - Class II, Div. 2 Groups E*, F, G (combustible dust)
 - Class III, Div. 2 (easily ignitable fibers & fillings)
 - For T-Ratings See Heating Cable
 - UPC, UMC, UES, RTES, UESL, SSK Only
- *CSA Only

ATEX Approved

-  CE 0359 IIG Ex e IIC T* Gb Ta -60°C to 195°C
- UPC, UMC, UES, RTES Only

* For T-Ratings See Heating Cable

IECEx Approved:

- ITS 07.0018X Ex e IIC T* Gb Ta -60°C to 195°C
 - UPC, UMC, UES, RTES Only
- * For T-Ratings See Heating Cable

[†]SSK to have these approvals when a junction box is used that is NEMA 4X rated and certified by appropriate third party agency for use for that application and hazardous locations rating (Div. 2).

Features

- Molded of Durable Polyphenylene Sulphide Plastic Material*
- Maximum Pipe Temperature 482°F (250°C)
- Corrosion Resistant
- Thermal Stability
- Non-Flammable
- High Strength and Rigidity
- Captive Hardware
- Stainless Steel Hardware to Ensure the Integrity of the System
- Liquid Tight Design Prevents Moisture from Reaching the Electrical Connections
- All Models are Rated NEMA 4X.



* This crystalline, high-performance engineering TP is characterized by outstanding high-temperature stability, inherent flame resistance and a broad range of chemical resistance. PPS plastics and compounds provide various combinations of high mechanical strength, impact resistance and electrical insulation, with its high arc resistance and low arc tracking.

U Series Heat Trace Connection Kits/Accessories *(cont'd.)*

Accessories

UPC Power Connection Box PCN 393553

NEMA 4X rated junction box designed to connect SRL, SRP, SRM/E and CWM cables to customer supplied power wiring. This kit provides water-resistant cable entry for one cable, enclosure support, terminal block, and a water-resistant corrosion-resistant wiring enclosure with a 3/4" opening to accept a conduit hub (CCH-2 or equal). A pipe strap (PS Series) is required to attach this model to a pipe. Small pipe adapter is available for pipe size less than 1-1/2".

Kit Dimensions: 9.78"H x 4.78"W x 3.6"D

Kit Includes:

- 1 Junction box with DIN rail & terminal block
- 1 Compression fitting
- 1 Locknut
- 1 Silicone termination boot
- 1 Pipe standoff
- 1 O-ring
- 1 Self-regulating cable grommet
- 1 Constant wattage cable grommet



UMC Multiple Entry Connection Box PCN 393561

NEMA 4X rated junction box designed to connect two or three SRL, SRP, SRM/E and CWM cables to customer supplied power wiring. This kit provides water-resistant cable entry, enclosure support, terminal block and a water-resistant, corrosion-resistant wiring enclosure. In addition to splicing or teeing cables, this model can be used to provide power connection to up to three cables from one connection kit. A pipe strap (PS series) is required to attach this model to a pipe. Small pipe adapter is available for pipe size less than 1-1/2".

Kit Dimensions: 9.78"H x 8.69"W x 3.6"D

Kit Includes:

- 1 Junction box with din rail and terminal block
- 1 Compression fitting
- 1 Locknut
- 3 Silicone termination boots
- 1 Pipe standoff
- 1 O-ring
- 1 Self-regulating cable grommet
- 1 Constant wattage cable grommet
- 1 Self-regulating cable grommet insert
- 1 Constant wattage cable grommet insert



SPA Small Pipe Adapter PCN 393609*

*Pipe adapter to be used when pipe size is less than 1-1/2" diameter.

Kit Includes:

- 1 Small pipe adapter



U Series Heat Trace Connection Kits/Accessories *(cont'd.)*

UES Above Insulation End Seal Kit PCN 393570

NEMA 4X rated end seal designed of to terminate SRL, SRP, SRM/E and CWM cables. This kit provides water-resistant cable entry for one cable, water-resistant and corrosion-resistant pipe support to bring the cable end outside the insulation for easy access. A pipe strap (PS Series) is required to attach this model to a pipe. Small pipe adapter is available for pipe size less than 1-1/2".

Kit Dimensions: 5.5"H x 2.75"W x 2.25"D

Kit Includes:

- 1 End cap
- 1 Pipe standoff
- 1 Self-regulating cable grommet
- 1 Constant wattage cable grommet



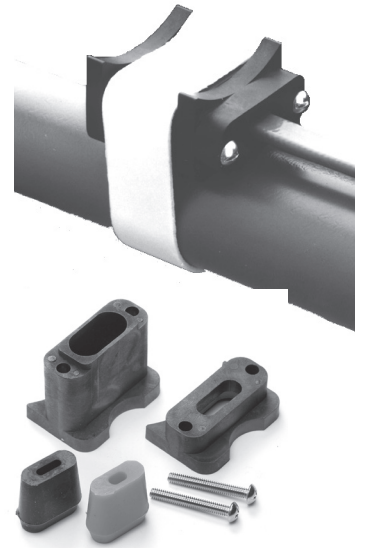
RTES Under Insulation End Seal Kit PCN 389570

NEMA 4X rated enclosure is designed to terminate SRL, SRP, SRM/E and CWM cables. This kit provides water-resistant cable entry for one cable, enclosure support and a water-resistant corrosion-resistant enclosure. The fitting has two different curved mounting surfaces. One side has a 1-1/2" radius curved surface that provides stable support on pipes with a diameter of 3" or more. The other side has a 1/2" radius curved surface which permits a better fit on smaller pipes. A pipe strap (PS Series) is required to attach this model to a pipe. In addition, this side also has four "feet" for installation on flat surfaces.

Kit Dimensions: 1.25"H x 1.75"W x 2"D

Kit Includes:

- 1 End Cap
- 1 Pressure Plate
- 1 GRSR Self-Regulating Cable Sealing Grommet
- 1 GRCW Constant Wattage Cable Sealing Grommet



SSK Single Entry Sealing Kit† PCN 393617

This kit provides water resistant cable entry for one cable, water-resistant and corrosion-resistant pipe support to bring the cable outside the insulation for easy connection to power. A pipe strap (PS Series) is required to attach this model to a pipe. A small pipe adapter is available for pipe sizes less than 1-1/2". Customer supplied junction box required.

† Approved for CSA Class I, Div. 2 groups A, B, C & D and Class II, Div. 2, Groups F, G when junction box that is used is NEMA 4X rated and certified by appropriate third party agency for use for that application and hazardous locations rating (Div. 2)

Kit Includes:

- 1 Compression fitting
- 1 Locknut
- 1 Silicone termination boots
- 1 Pipe standoff
- 1 O-ring
- 1 Self-regulating cable grommet
- 1 Constant wattage cable grommet
- 2 Uninsulated butt splice 14-16 AWG
- 2 Insulated butt splice 14-16 AWG



U Series Heat Trace Connection Kits/Accessories (cont'd.)

UESL End Seal Signal Light Kit *PCN 394257*

NEMA 4X rated end seal designed to power or seal one cable and indicate power on with universal voltage 120-277 LED indicator light kit designed for use with SRL, SRP, SRM/E and CWM cables. This model provides water-resistant cable entry and corrosion-resistant wiring enclosure. A pipe strap (PS Series) is required to attach this model to a pipe. Small pipe adapter is available for pipe size less than 1-1/2".

Kit Dimensions: 7"H x 3.25"W x 3.25"D

Kit Includes:

- 1 Pipe standoff
- 1 Self-regulating cable grommet
- 1 Constant wattage cable grommet
- 1 Universal voltage 120-277V LED light assembly
- 2 Insulated parallel splices



*UAS Ambient-Sensing Thermostat** *PCN 394038*

NEMA 4X rated junction box designed to connect a single SRL, SRP, SRM/E or CWM cable run to power and control cable output via ambient air temperature in non-hazardous areas. This kit provides water-resistant cable entry for one cable, enclosure support, terminal block and a water resistant corrosion resistant wiring enclosure with a 3/4" opening to accept a conduit hub (GCH-2 or equal). Stainless steel sheath probe is 9/16" diameter x 3" long. Switch rated for 22 amps SPDT 120-480 volts. Operating temperature range is -40°F to 160°F (-40°C to 71°C). Temperature set point 0° to 225°F (-81°C to 107°C) with 10°F scale divisions.

***Only for ordinary areas.**

Kit Dimensions: 9.78"H x 8.69"W x 3.6"D



Kit Includes:

- 1 Junction box with DIN rail & terminal block
- 1 Compression fitting
- 1 Locknut
- 1 Silicone termination boot
- 1 Pipe standoff
- 1 O-ring
- 1 Self-regulating cable grommet
- 1 Constant wattage cable grommet

*USL Signal Light Kit ** *PCN 393588*

NEMA 4X rated end seal designed to power or seal one cable and indicate power on with universal voltage 120-277 LED indicator light kit designed for use with SRL, SRP, SRM/E and CWM cables. This model provides water-resistant cable entry, enclosure support, terminal block, and corrosion-resistant wiring enclosure. A pipe strap (PS Series) is required to attach this model to a pipe. Small pipe adapter is available for pipe size less than 1-1/2".

*** Only Approved for Ordinary Areas.**

Kit Dimensions: 9.78"H x 4.78"W x 3.6"D

Kit Includes:

- 1 Junction box with DIN rail & terminal block
- 1 Compression fitting
- 1 Locknut
- 1 Silicone termination boot
- 1 Pipe standoff
- 1 O-ring
- 1 Self-regulating cable grommet
- 1 Constant wattage cable grommet
- 1 Universal voltage 120-277V LED light assy.



U Series Heat Trace Connection Kits/Accessories *(cont'd.)*

*UBC Line-Sensing Thermostat** *PCN 394011*

NEMA 4X rated junction box designed to connect a single SRL, SRP, SRM/E or CWM cable run to power and control cable output via pipe temperature in non-hazardous areas. This kit provides water-resistant cable entry for one cable, enclosure support, terminal block and a water resistant corrosion resistant wiring enclosure with a 3/4" opening to accept a conduit hub (CCH-2 or equal). Stainless steel bulb is 1/4" diameter x 7-1/4" long with 3ft capillary. Switch rated for 22 amps SPDT 120-480 volts. Operating temperature range is -40°F to 160°F (-40°C to 71°C). Temperature set point 0° to 400°F (-18°C to 200°C) with 10°F.

* Only approved for ordinary areas.

Kit Dimensions: 9.78"H x 8.69"W x 3.6"D

Kit Includes:

- 1 Junction box with DIN rail & terminal block
- 1 Compression fitting
- 1 Locknut
- 1 Silicone termination boot
- 1 Pipe standoff
- 1 O-ring
- 1 Self-regulating cable grommet
- 1 Constant wattage cable grommet
- 1 Line-sensing thermostat assembly



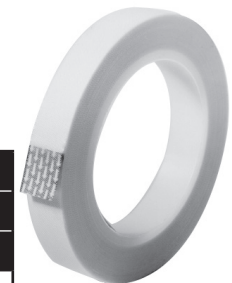
AT-1 Aluminum Tape Cable Attachments *PCN 383355*

180' roll aluminum foil installation tape with pressure sensitive acrylic adhesive. 2-mil thickness with high tensile strength; 2-1/2" wide. 200°F (93°C) rating. Minimum application temperatures 40°F (5°C).



FT-3 Fiberglass Tape Cable Attachments *PCN 389941*

66' roll glass cloth installation tape with pressure sensitive thermosetting adhesive. 3/8" wide. 310°F (155°C) rating. Strap at one foot intervals. Minimum application temperature 40°F (5°C).



Tape Type	Rolls Needed per 100' of Pipe									
	Pipe Dia. (In.)									
	1/2"	1	2	3	4	6	8	10	12	
FT-3	1	2	4	4	6	8	10	12	15	

ACCESSORIES
AND CONTROLS

U Series Heat Trace Connection Kits/Accessories *(cont'd.)*

PS-1, PS-3, PS-10 Stainless Steel Pipe Straps *PCN 382352, 382360, 382379*

Used for attaching U Series kits to pipe.

PS-1	1/2" to 3/4" pipes (PCN 382352)
PS-3	1" to 3-1/2" pipes (PCN 382360)
PS-10	2-1/2" to 9" pipes (PCN 382379)
PS-20	9" to 19.5" pipes (PCN 382256)



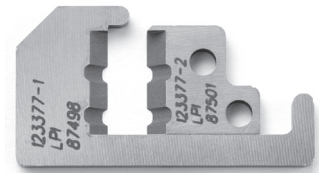
Stripping Tool *PCN 393510*

Tool for stripping the base jacket and the conductive matrix from the cable buss wires. The tool is stocked with 16 awg blades for stripping SRL, HSRL, SRM/E, HSRM and SRP and Thermwire products.



Replacement Blades *PCN 393537*

Blade Set for Stripping SRL, HSRL, SRM/E, HSRM and SRP Cables



Conduit Hub w/Grounding Lug *CCH-2 (385650)*

Corrosion resistant hub for 3/4" conduit. Fits opening in PJB, DL, U Series and DTS. Includes ground connector.

